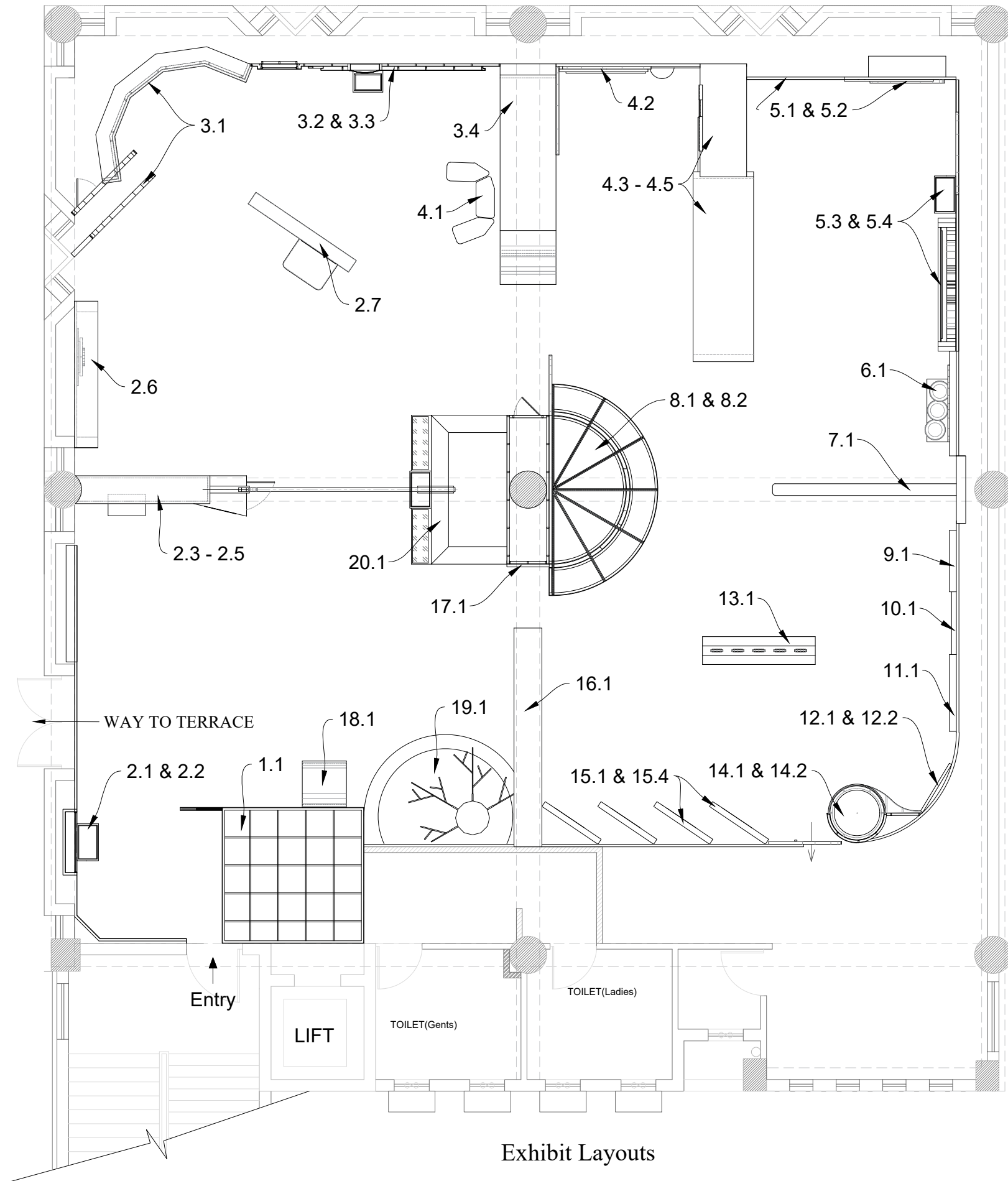


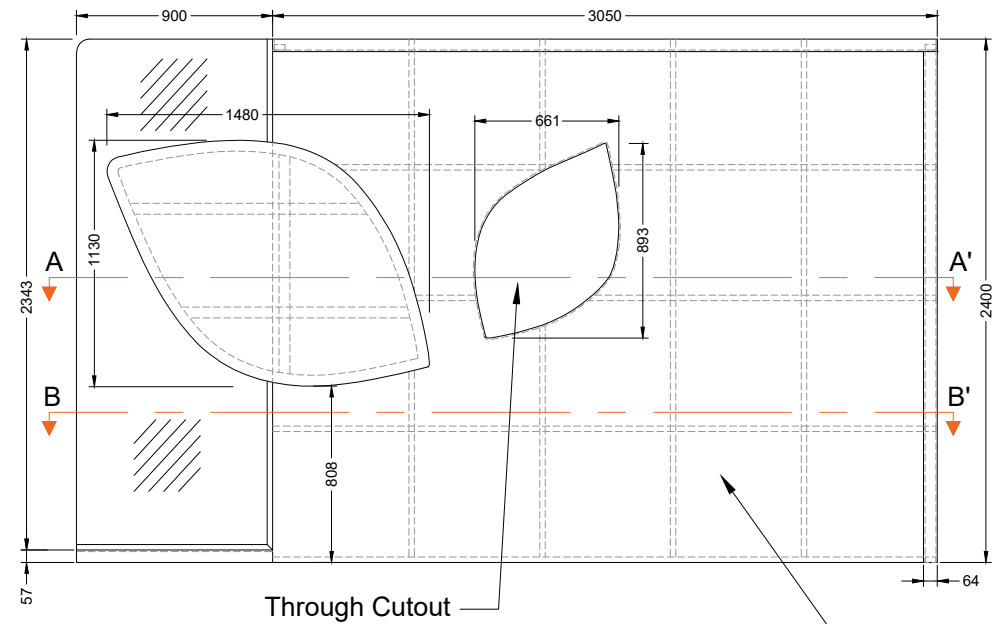
Annexure F



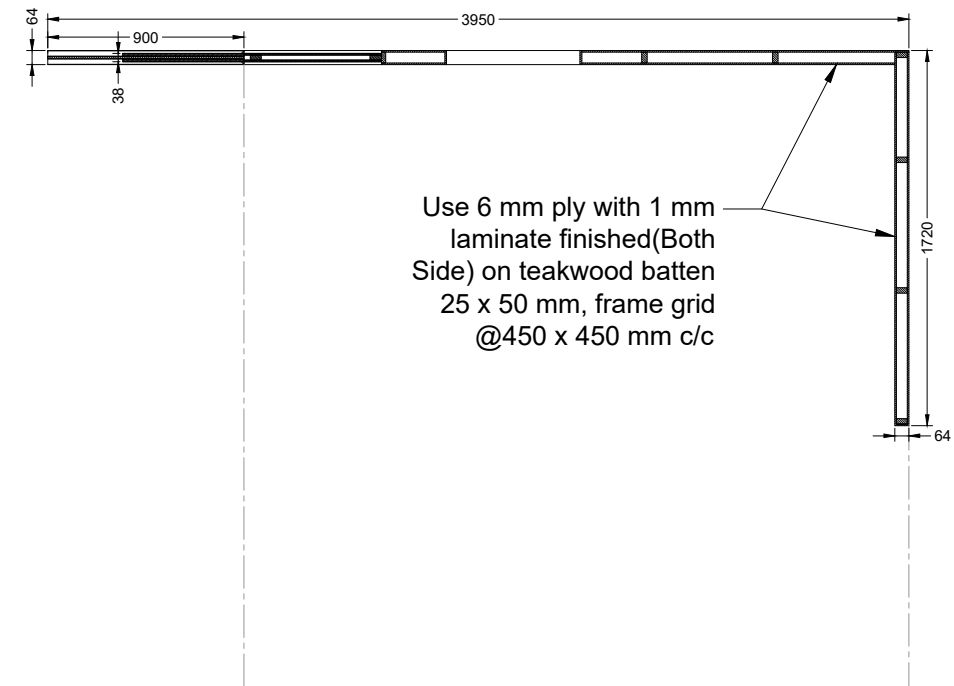
GENERAL NOTES :-

- For material specs. and finishes, please refer to the specification sheet of tender document.
- Dimensions given here are tentative and may vary as per site condition.
- All exposed area except floor to be covered with 1mm laminate sheet/paint finish (of approved make and color)

REGIONAL SCIENCE CENTER GUWAHATI		
DRG. NO. RSCG/ITM-NER- 00	DATE 22/08/2023	SCALE Not to scale
TITLE:-A Gallery Exhibit Layout on Indian Traditional Medicines in North East Region		SHEET NO. 01 OF 01
DRN. BY Muktada	CKD. BY Samant Kumar Singh(Cr)	APPRD. BY Sujay Majumder(PC)

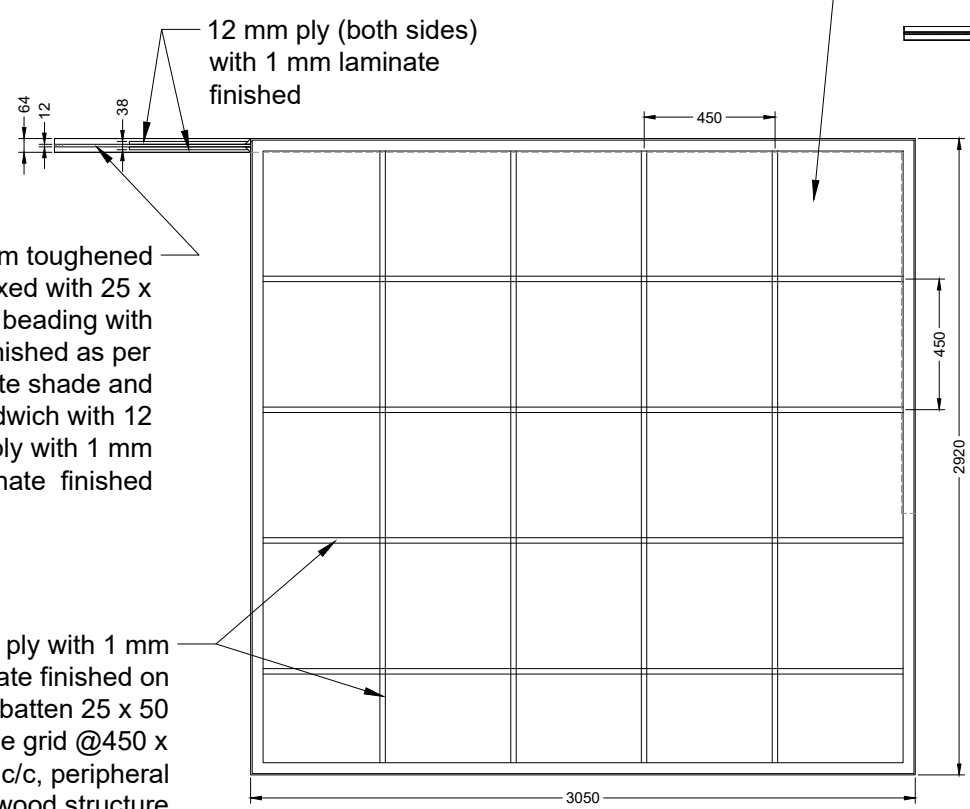


FRONT VIEW

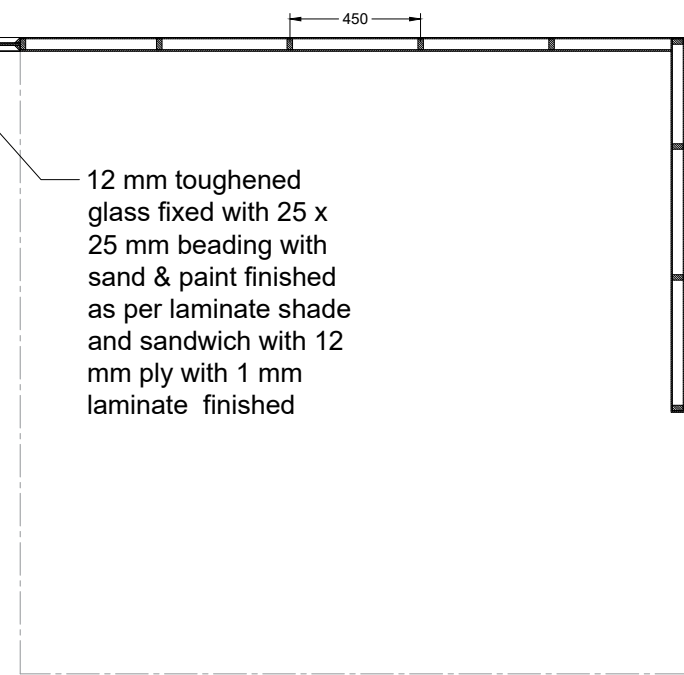


SECTION - AA'

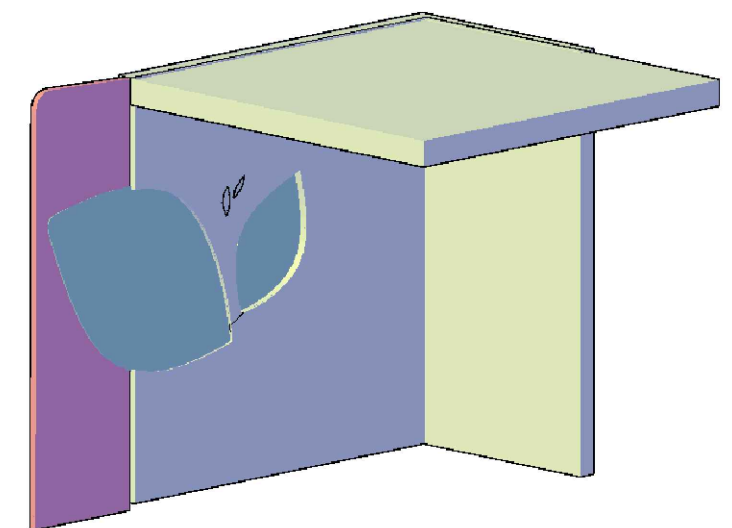
All peripheral teak wood structure would be of 50 x 50 mm



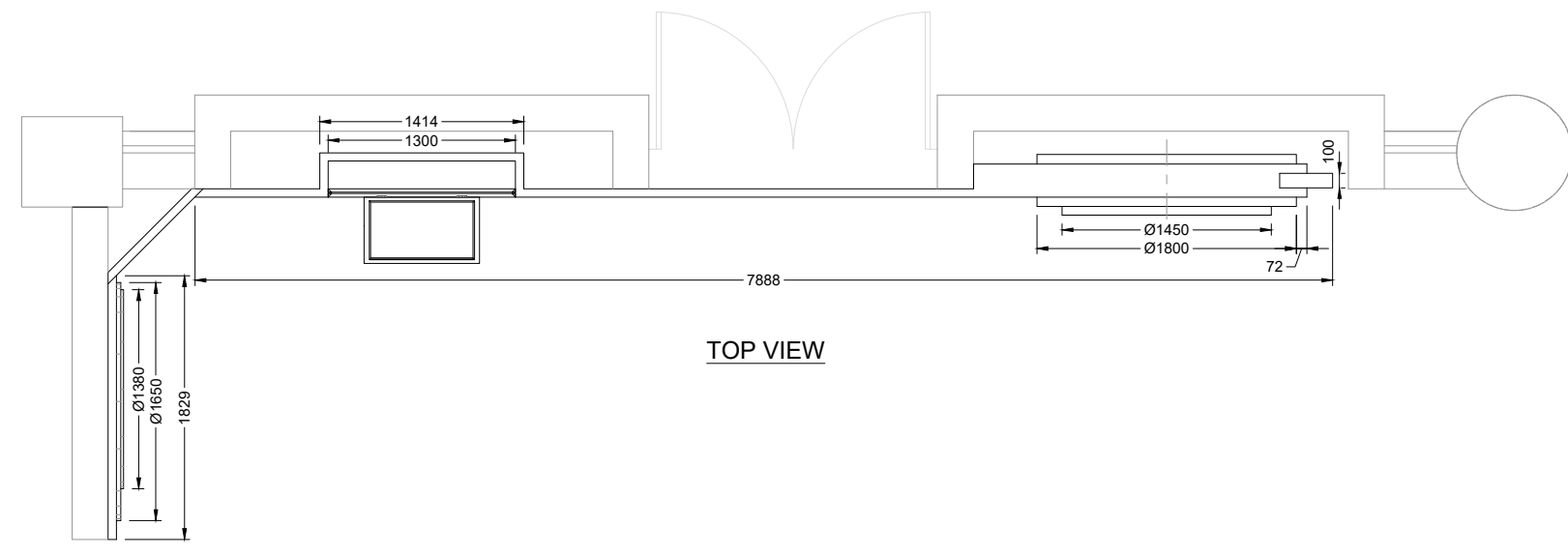
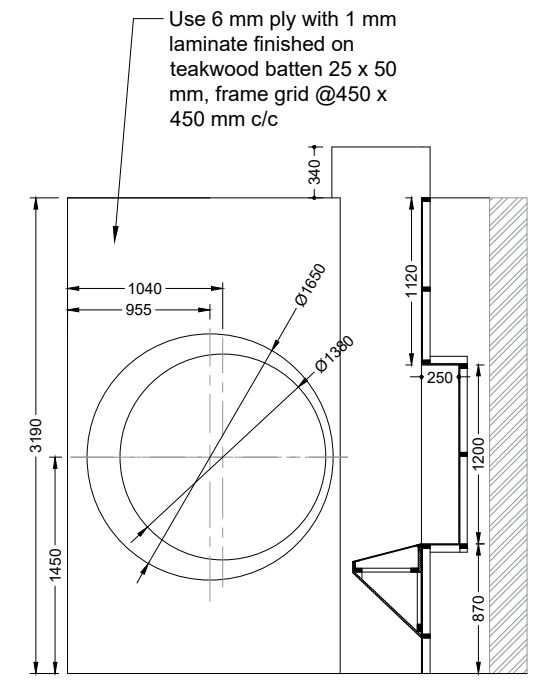
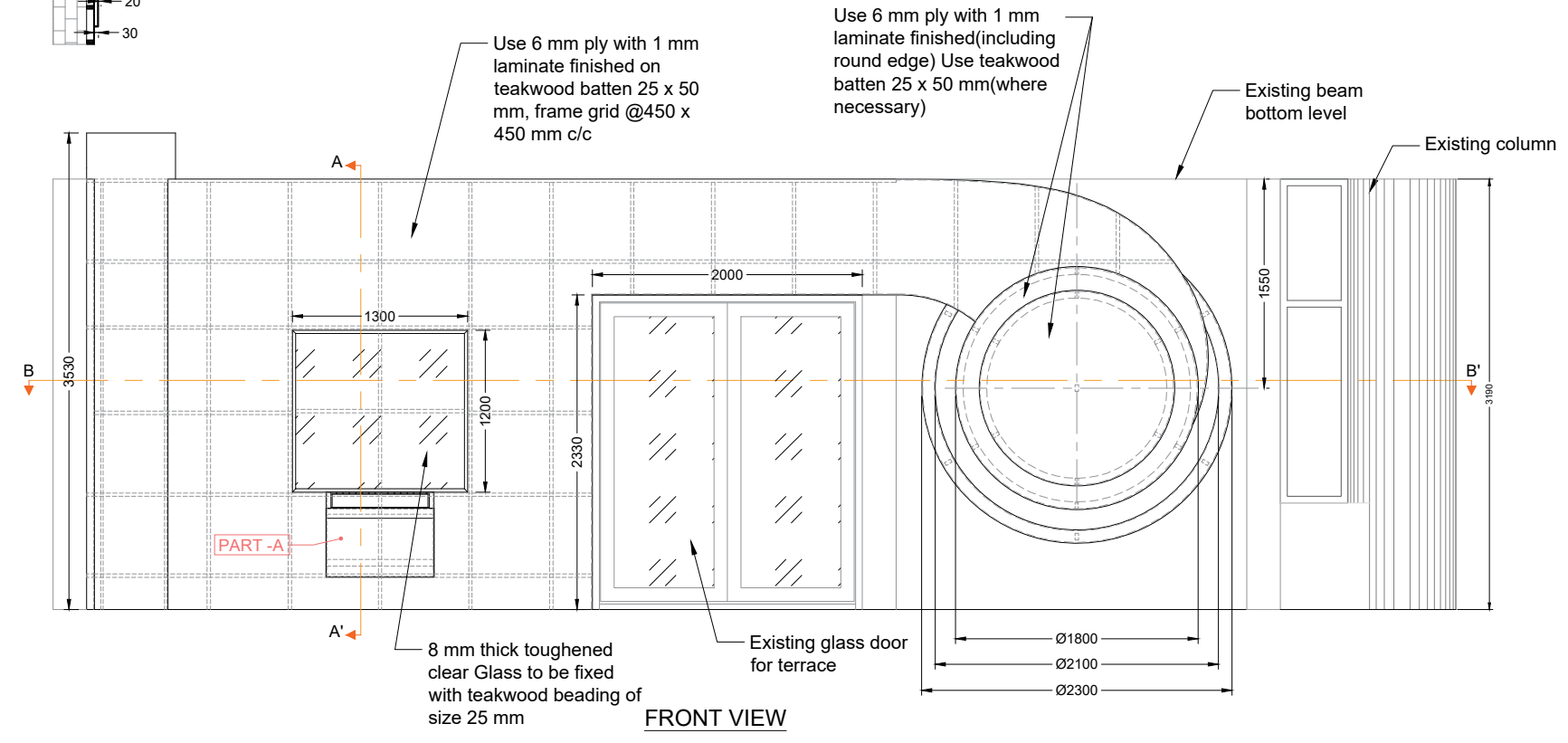
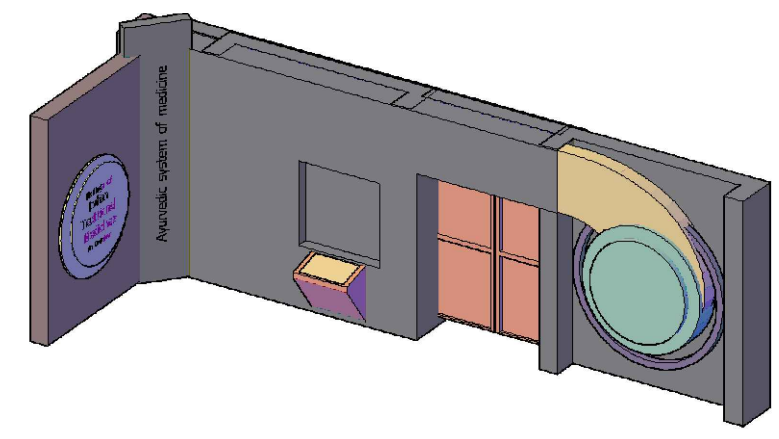
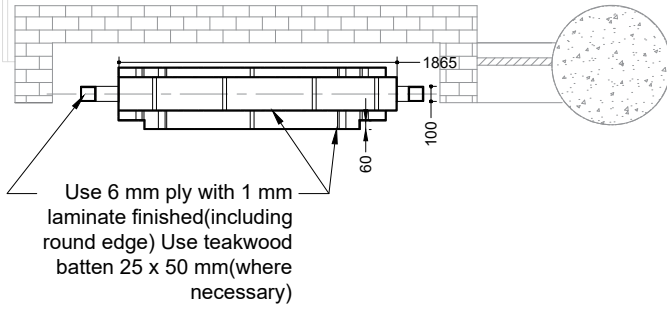
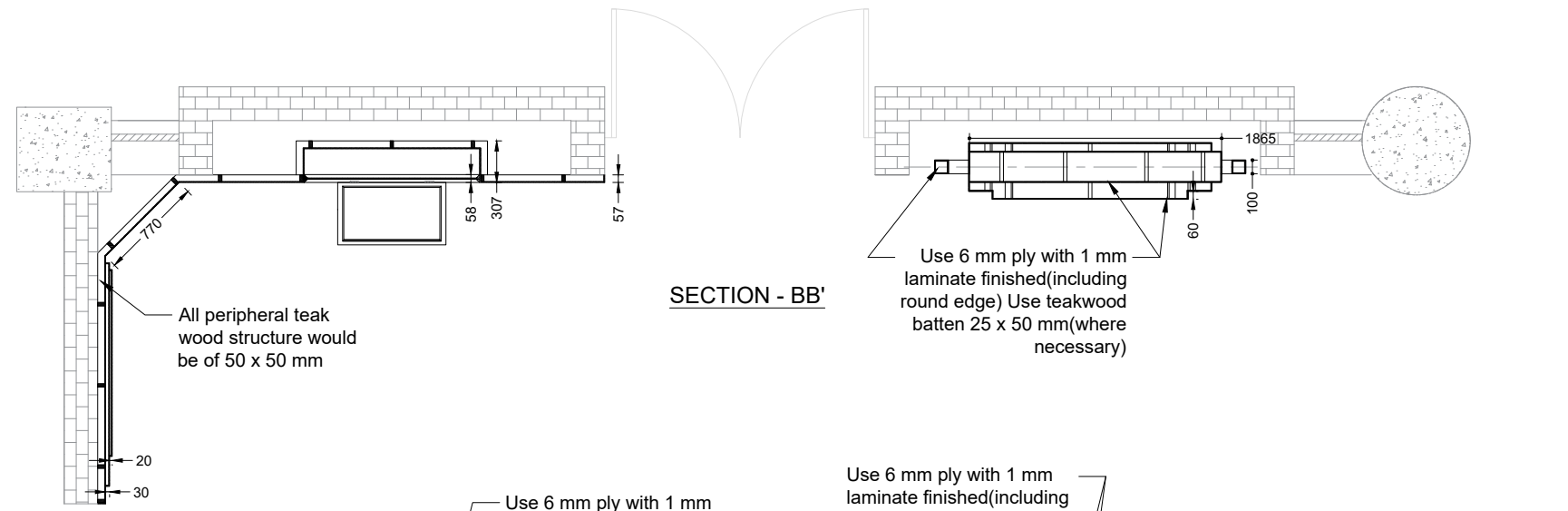
TOP VIEW



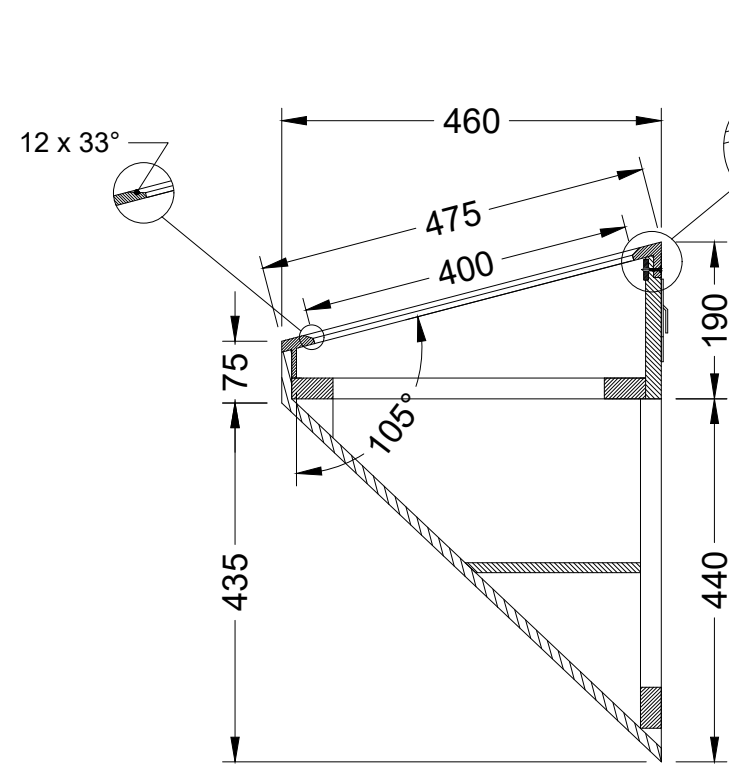
SECTION - BB'



REGIONAL SCIENCE CENTER GUWAHATI		
Gallery: Indian Traditional Medicines in NE Region Section:- Introduction		
DRG. NO. RSCG/ITM-NER- 1.1	DATE 22/08/2023	SCALE Not to scale
TITLE:- Introduction		SHEET NO. 01 OF 01
DRN. BY Muktada	CKD. BY Samant Kumar Singh(Cr)	APPRD. BY Sujay Majumder(PC)

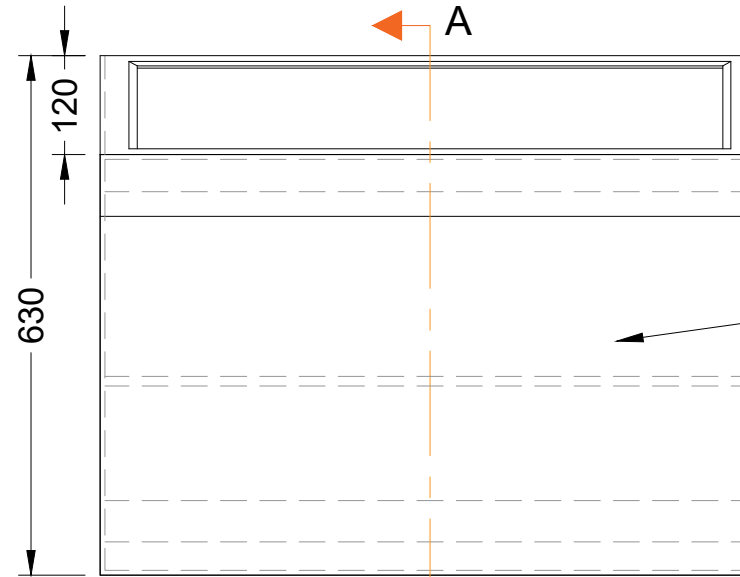


REGIONAL SCIENCE CENTER GUWAHATI		
Gallery: Indian Traditional Medicines in NE Region Section:- Indian Traditional Medicinal Heritage -An Overview		
DRG. NO. RSCG/ITM-NER- 2.1& 2.2	DATE 22/08/2023	SCALE Not to scale
TITLE:- Ayurvedic System of Medicine & Ingredients of Ayurveda		SHEET NO. 01 OF 03
DRN. BY Muktada	CKD. BY Samant Kumar Singh(Cr)	APPRD. BY Sujay Majumder(PC)



SECTION-AA'

M.S Flat of size 25 x 75 mm and 6 mm thick with M6 taped thread and fixed half grooved into ply and screwed

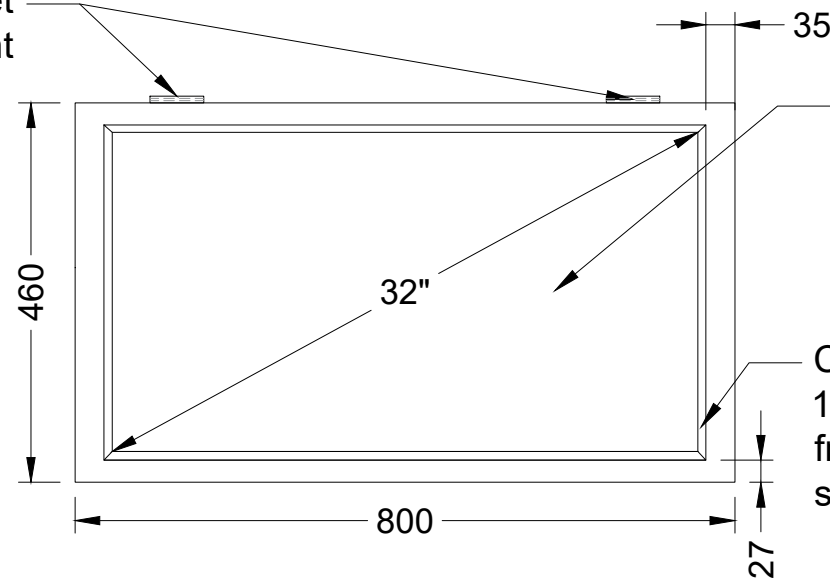
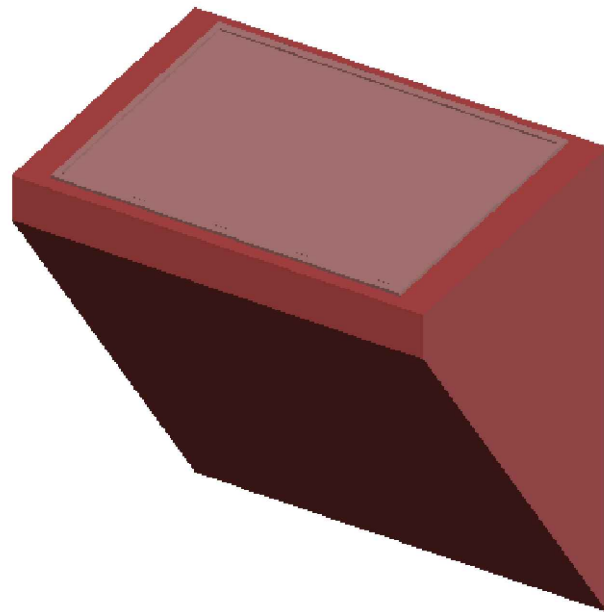


FRONT VIEW

Top cover is portable made of 12 mm ply with 1 mm laminate finished, fix with screw as shown

19 mm block board with 1 mm laminate finished use 25 x 50 mm teakwood battens to frame the structure

Wall mounted bracket fixing arrangement



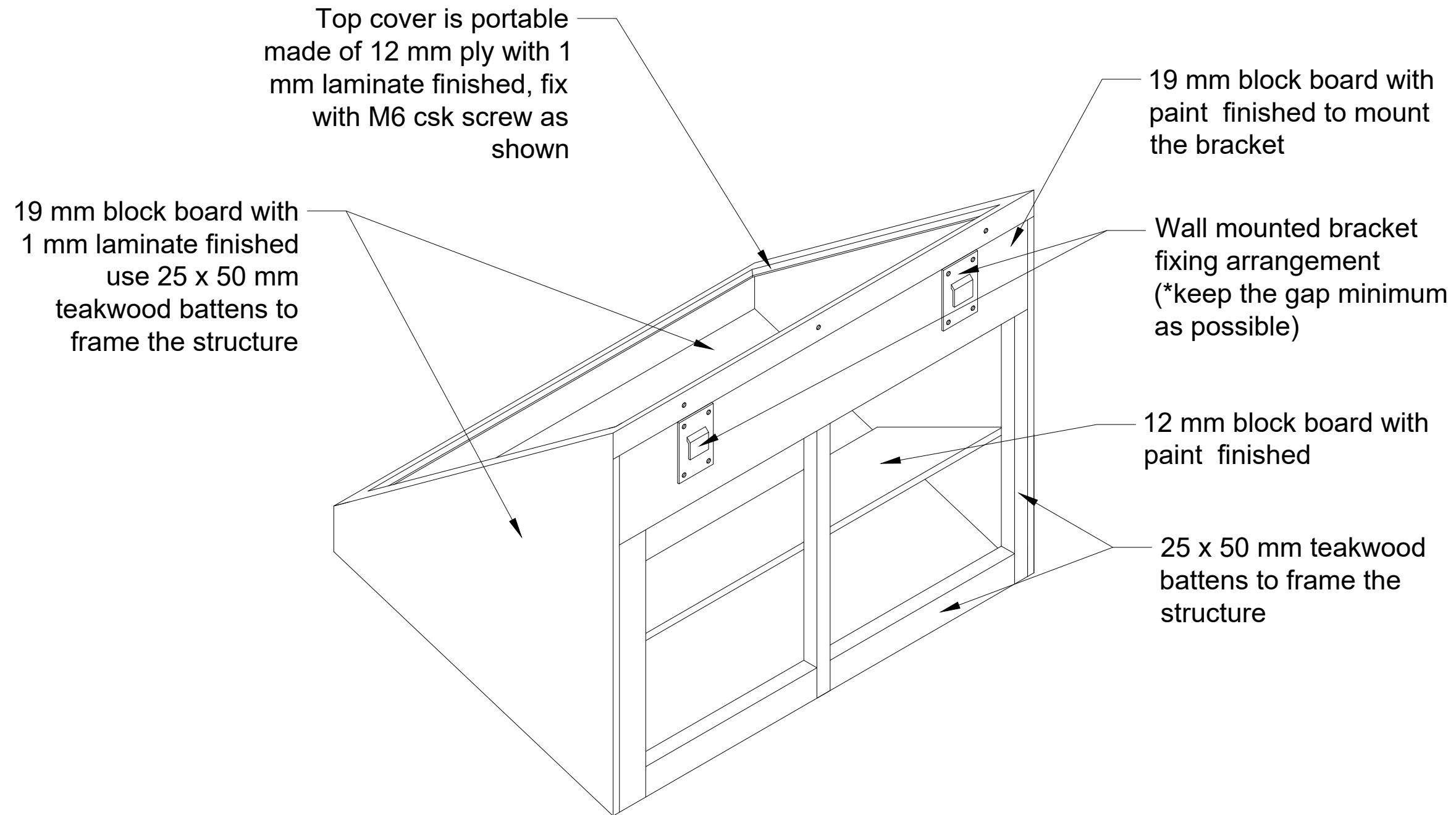
TOP VIEW

400 x 710 mm Cutout (*This cutout size is tentative the actual cutout size to be provided at site)

Chamfer the edge 10 x 17° (after 3 mm offset from the bottom surface)

PART-A DETAILS

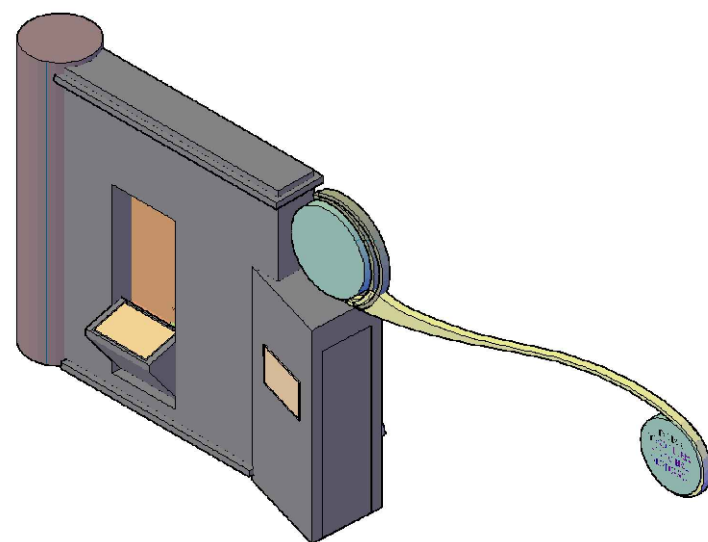
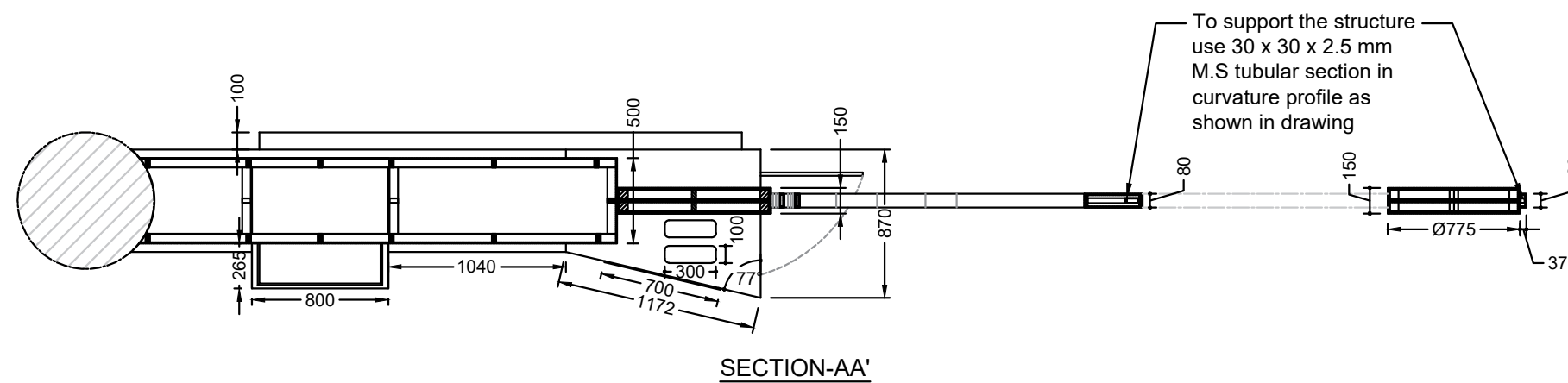
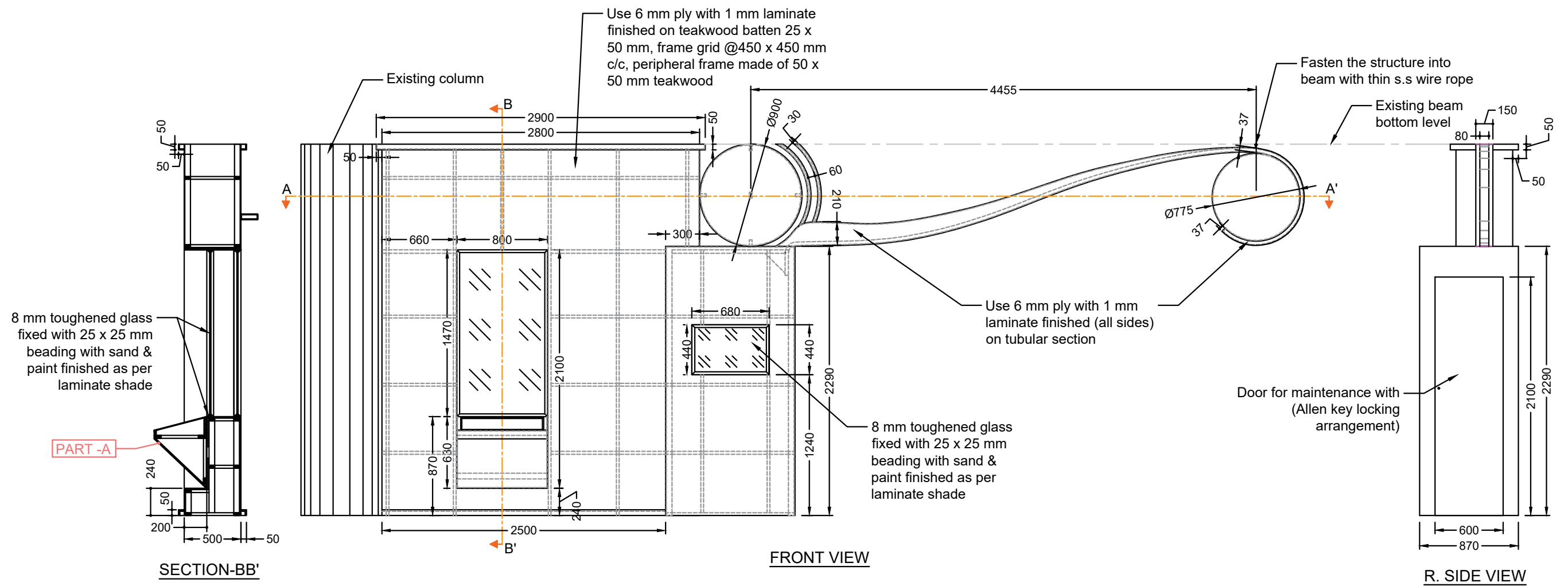
REGIONAL SCIENCE CENTER GUWAHATI			
Gallery: Indian Traditional Medicines in NE Region			
DRG. NO. RSCG/ITM-NER- 2.1& 2.2	DATE 22/08/2023	SCALE Not to scale	TOLERANCE
TITLE:- Ayurvedic System of Medicine			SHEET NO. 02 OF 03
DRN. BY Muktada	CKD. BY Samant Kumar Singh(Cr)	APPRD. BY Sujay Majumder(PC)	



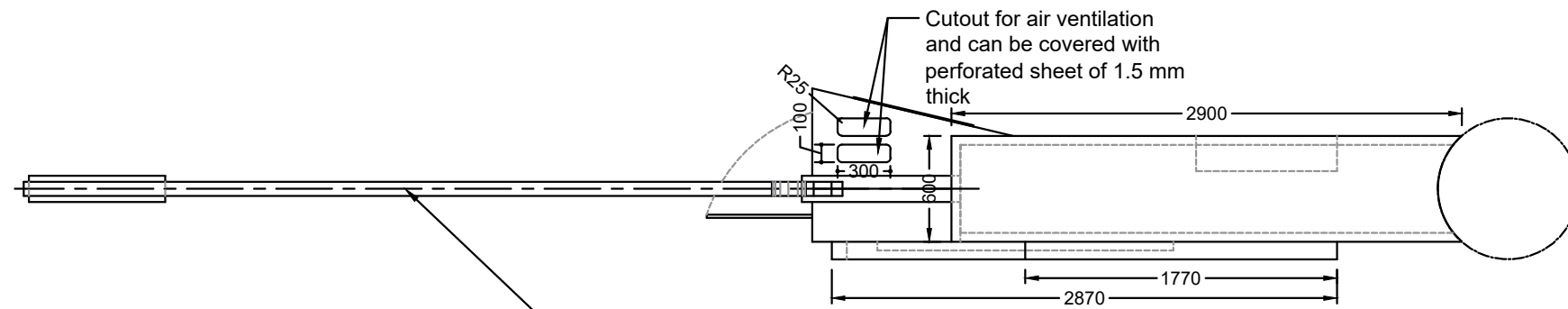
ISOMETRIC VIEW

PART-A DETAILS

REGIONAL SCIENCE CENTER GUWAHATI			
Gallery: Indian Traditional Medicines in NE Region			
DRG. NO. RSCG/ITM-NER- 2.1& 2.2	DATE 22/08/2023	SCALE Not to scale	TOLERANCE
TITLE:- Ayurvedic System of Medicine			SHEET NO. 03 OF 03
DRN. BY Muktada	CKD. BY Samant Kumar Singh(Cr)	APPRD. BY Sujay Majumder(PC)	

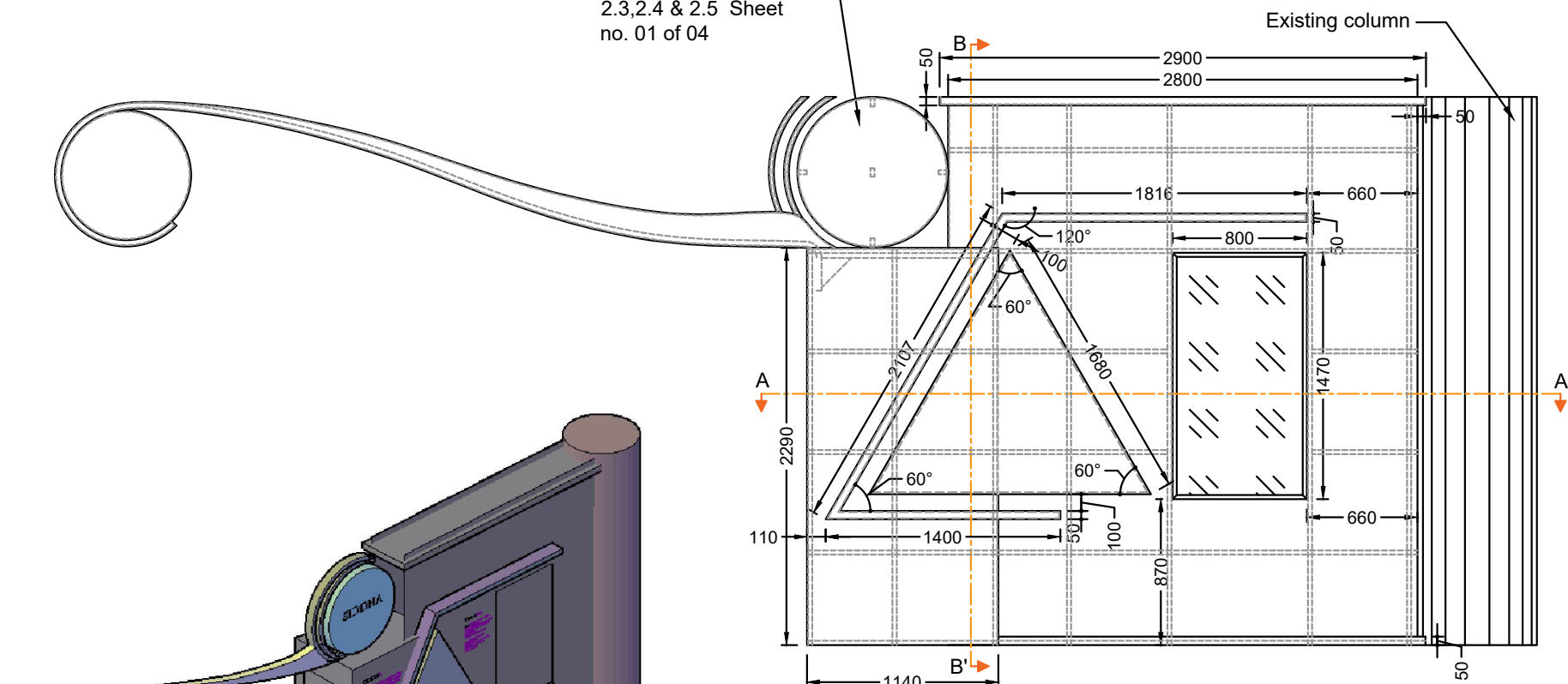


REGIONAL SCIENCE CENTER GUWAHATI		
Gallery: Indian Traditional Medicines in NE Region		
Section:- Indian Traditional Medicinal Heritage -An Overview		
DRG. NO. RSCG/ITM-NER- 2.3,2.4 & 2.5	DATE 22/08/2023	SCALE Not to scale
TITLE:- Ayurveda Today, Three Major Text & Siddha and Sowa Rigpa		SHEET NO. 01 OF 04
DRN. BY Muktada	CKD. BY Samant Kumar Singh(Cr)	APPRD. BY Sujoy Majumder(PC)

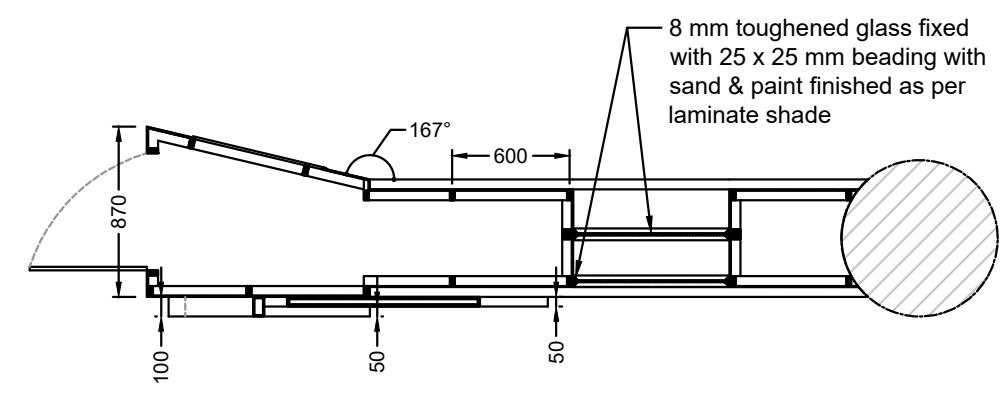
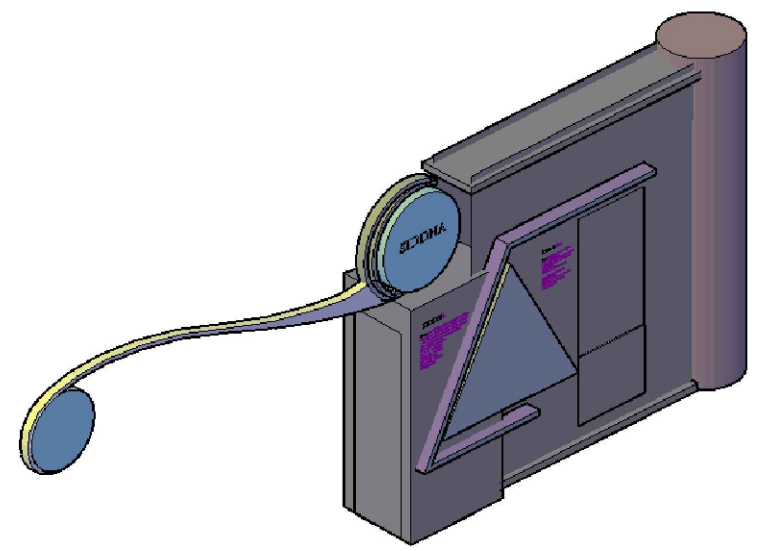
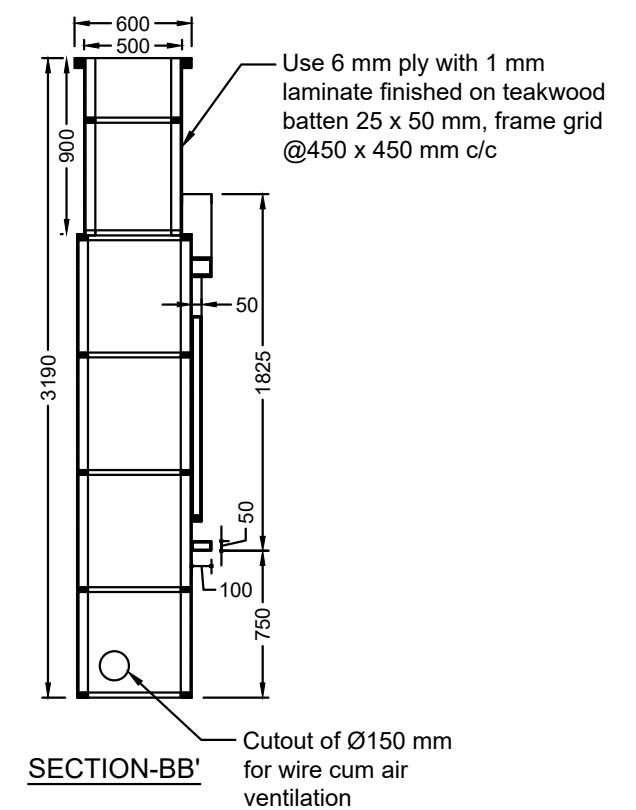


TOP VIEW

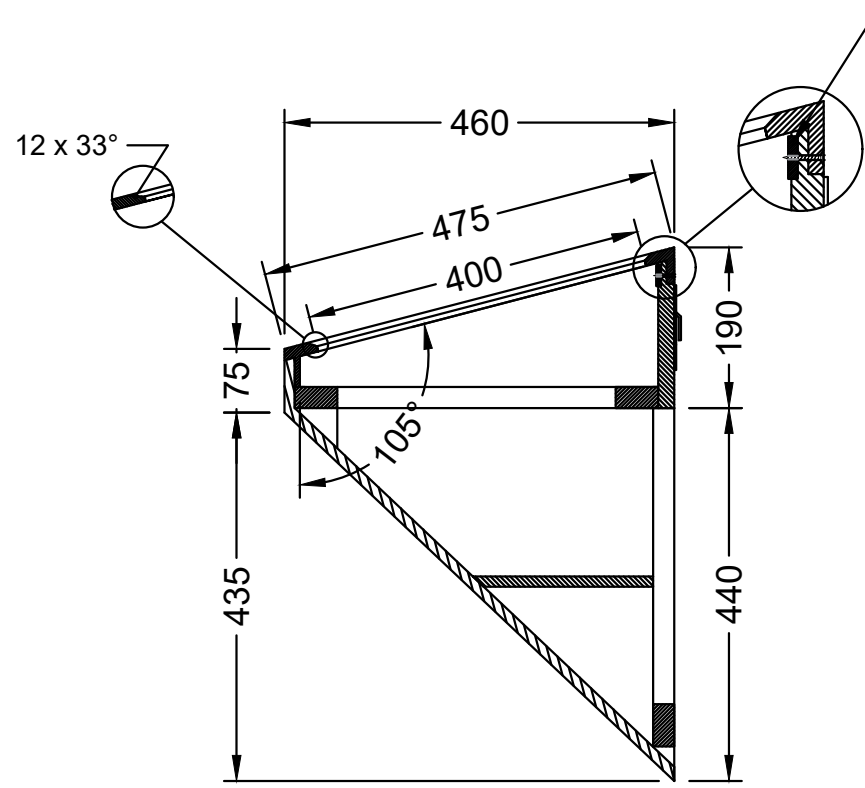
For this structure details kindly refer to Drg. no.RSCG/ITM-NER-2.3,2.4 & 2.5 Sheet no. 01 of 04



FRONT VIEW

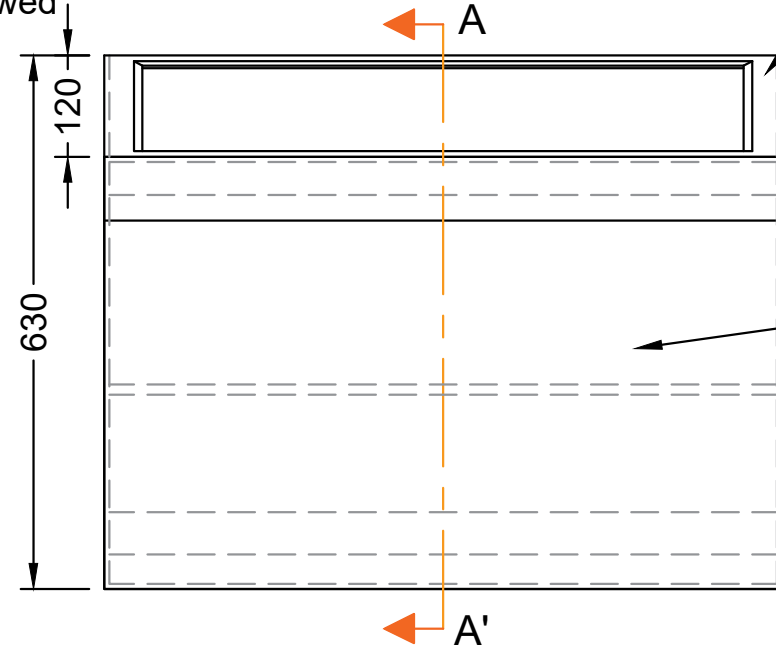


REGIONAL SCIENCE CENTER GUWAHATI		
Gallery: Indian Traditional Medicines in NE Region		
Section:- Indian Traditional Medicinal Heritage -An Overview		
DRG. NO. RSCG/ITM-NER- 2.3,2.4 & 2.5	DATE 22/08/2023	SCALE Not to scale
TITLE:- Ayurveda Today, Three Major Text & Siddha and Sowa Rigpa		SHEET NO. 02 OF 04
DRN. BY Muktada	CKD. BY Samant Kumar Singh(Cr)	APPRD. BY Sujay Majumder(PC)



SECTION-AA'

M.S Flat of size 25 x 75 mm and 6 mm thick with M6 taped thread and fixed half grooved into ply and screwed

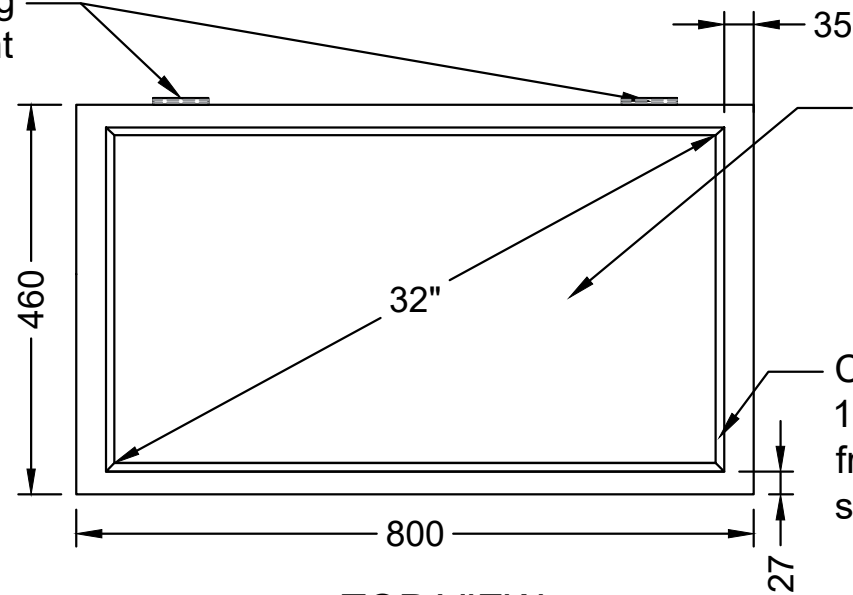
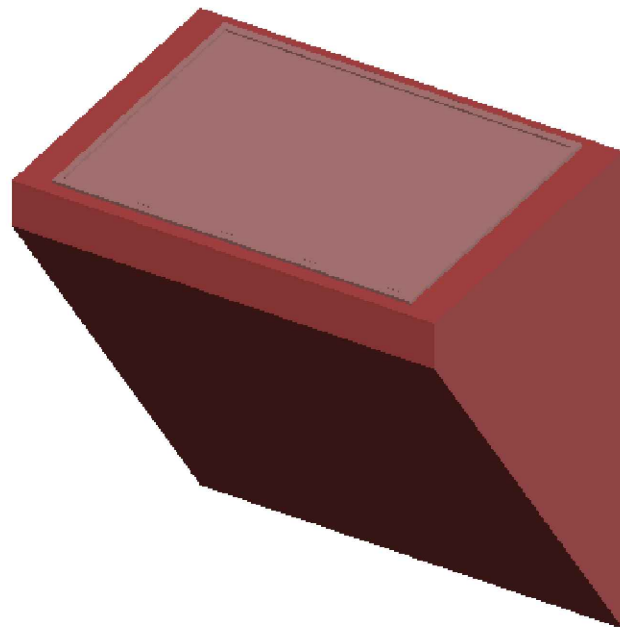


FRONT VIEW

Top cover is portable made of 12 mm ply with 1 mm laminate finished, fix with screw as shown

19 mm block board with 1 mm laminate finished use 25 x 50 mm teakwood battens to frame the structure

Wall mount bracket fixing arrangement



TOP VIEW

400 x 710 mm Cutout (*This cutout size is tentative the actual cutout size to be provided at site)

Chamfer the edge 10 x 17° (after 3 mm offset from the bottom surface)

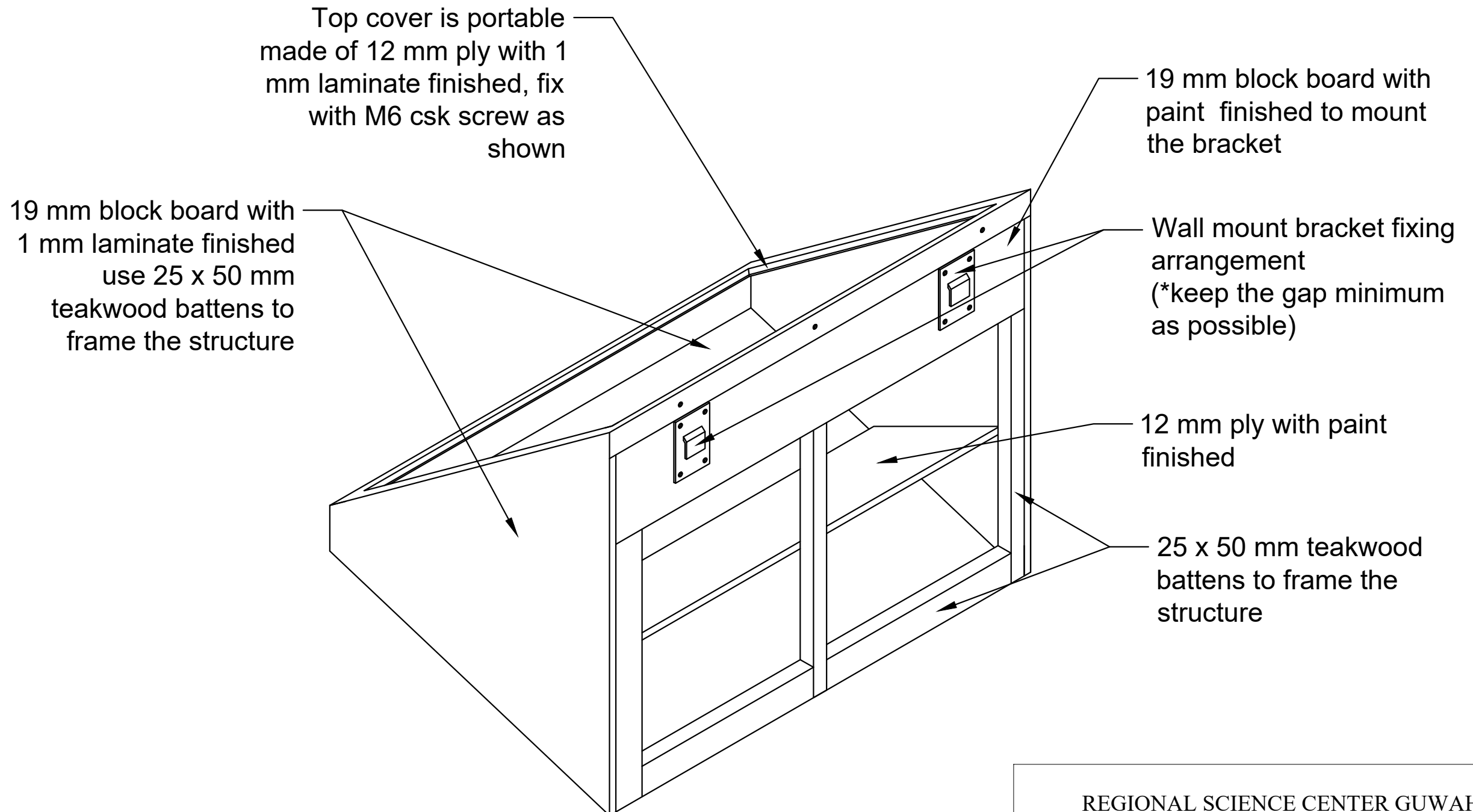
REGIONAL SCIENCE CENTER GUWAHATI

Gallery: Indian Traditional Medicines in NE Region
Section:- Indian Traditional Medicinal Heritage -An Overview

DRG. NO. RSCG/ITM-NER- 2.3,2.4 & 2.5	DATE 22/08/2023	SCALE Not to scale
---	--------------------	-----------------------

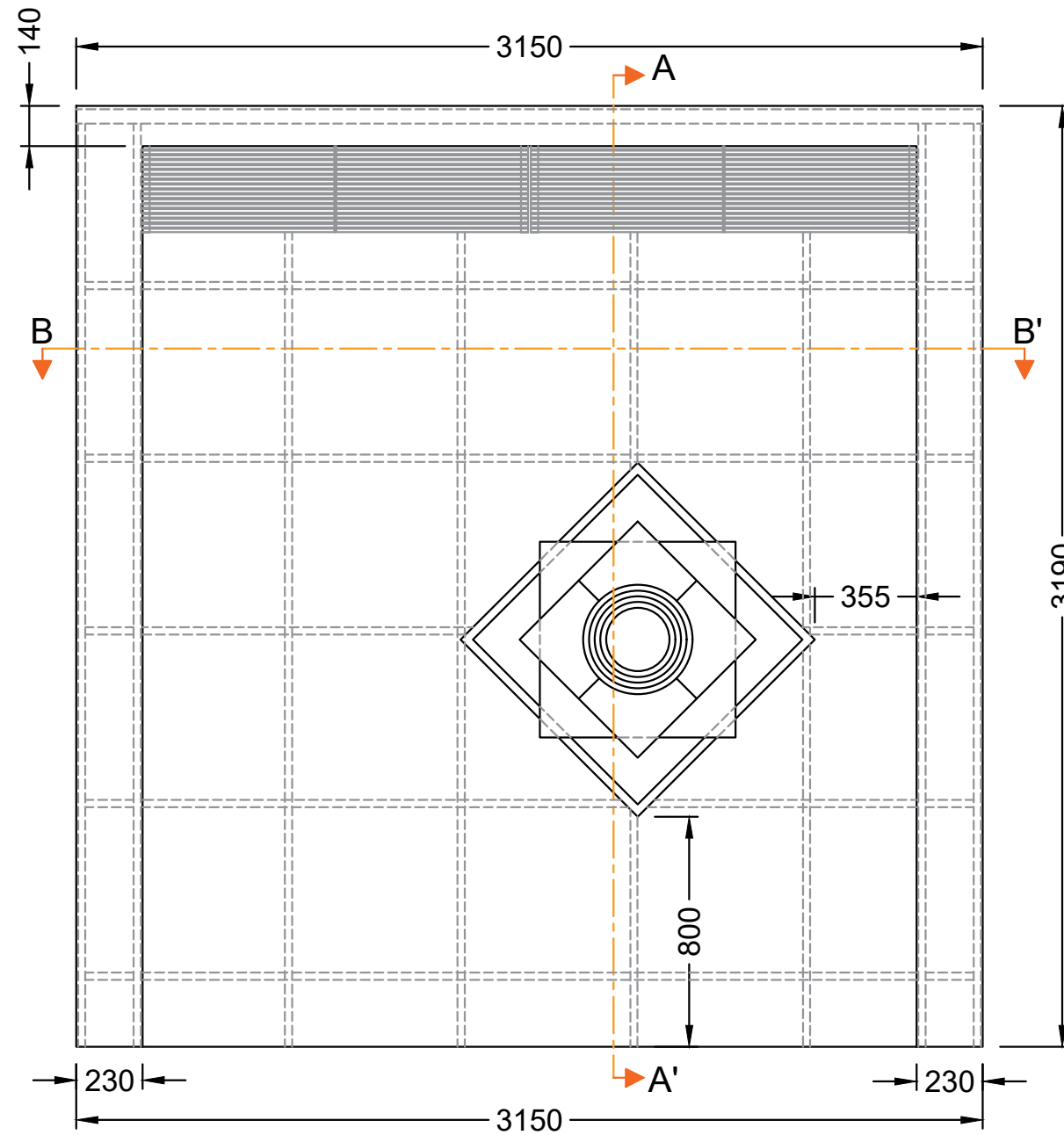
TITLE:- Ayurveda Today, Three Major Text & Siddha and Sowa Rigpa	SHEET NO. 03 OF 04
--	-----------------------

DRN. BY Muktada	CKD. BY Samant Kumar Singh(Cr)	APPRD. BY Sujay Majumder(PC)
--------------------	-----------------------------------	---------------------------------

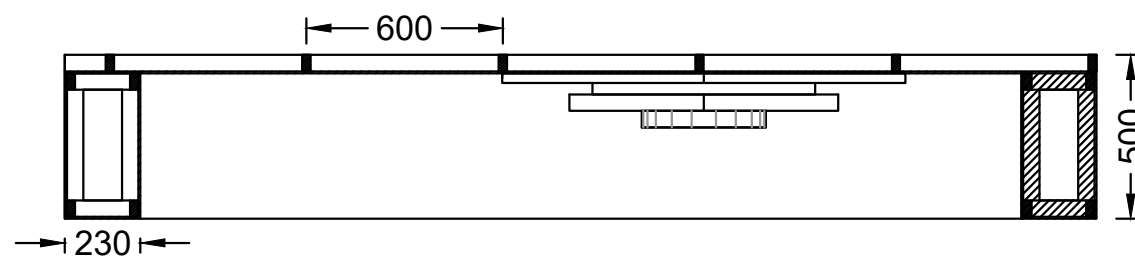


ISOMETRIC VIEW

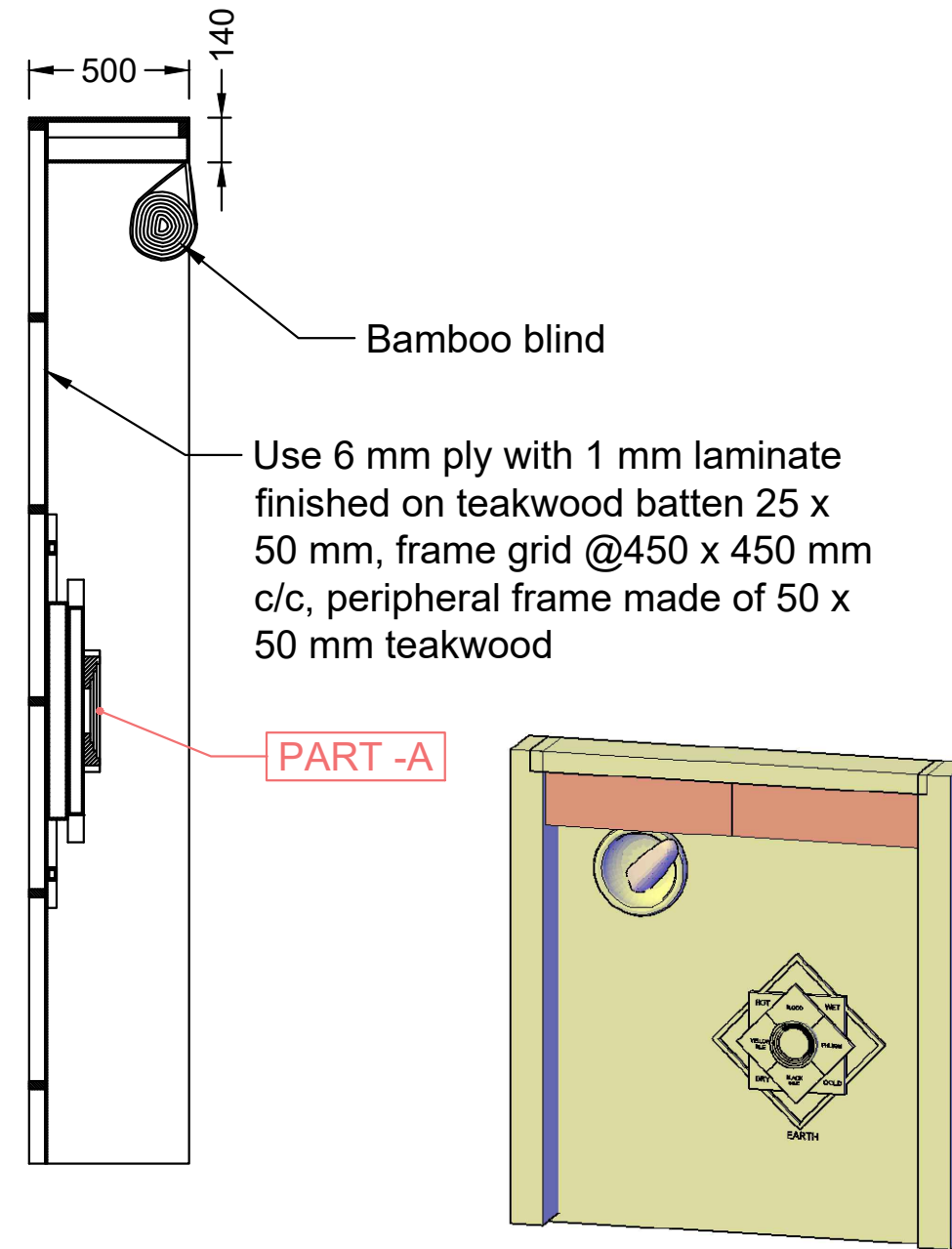
REGIONAL SCIENCE CENTER GUWAHATI			
Gallery: Indian Traditional Medicines in NE Region			
DRG. NO. RSCG/ITM-NER- 2.3, 2.4 & 2.5	DATE 22/08/2023	SCALE Not to scale	TOLERANCE
TITLE:- Ayurvedic System of Medicine			SHEET NO. 04 OF 04
DRN. BY Muktada	CKD. BY Samant Kumar Singh(Cr)	APPRD. BY Sujoy Majumder(PC)	



FRONT VIEW



SECTION-BB'



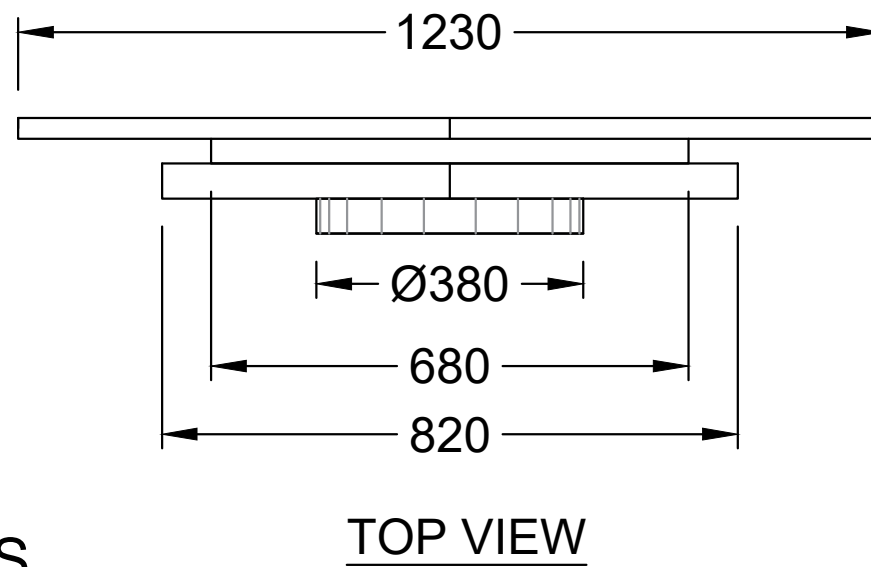
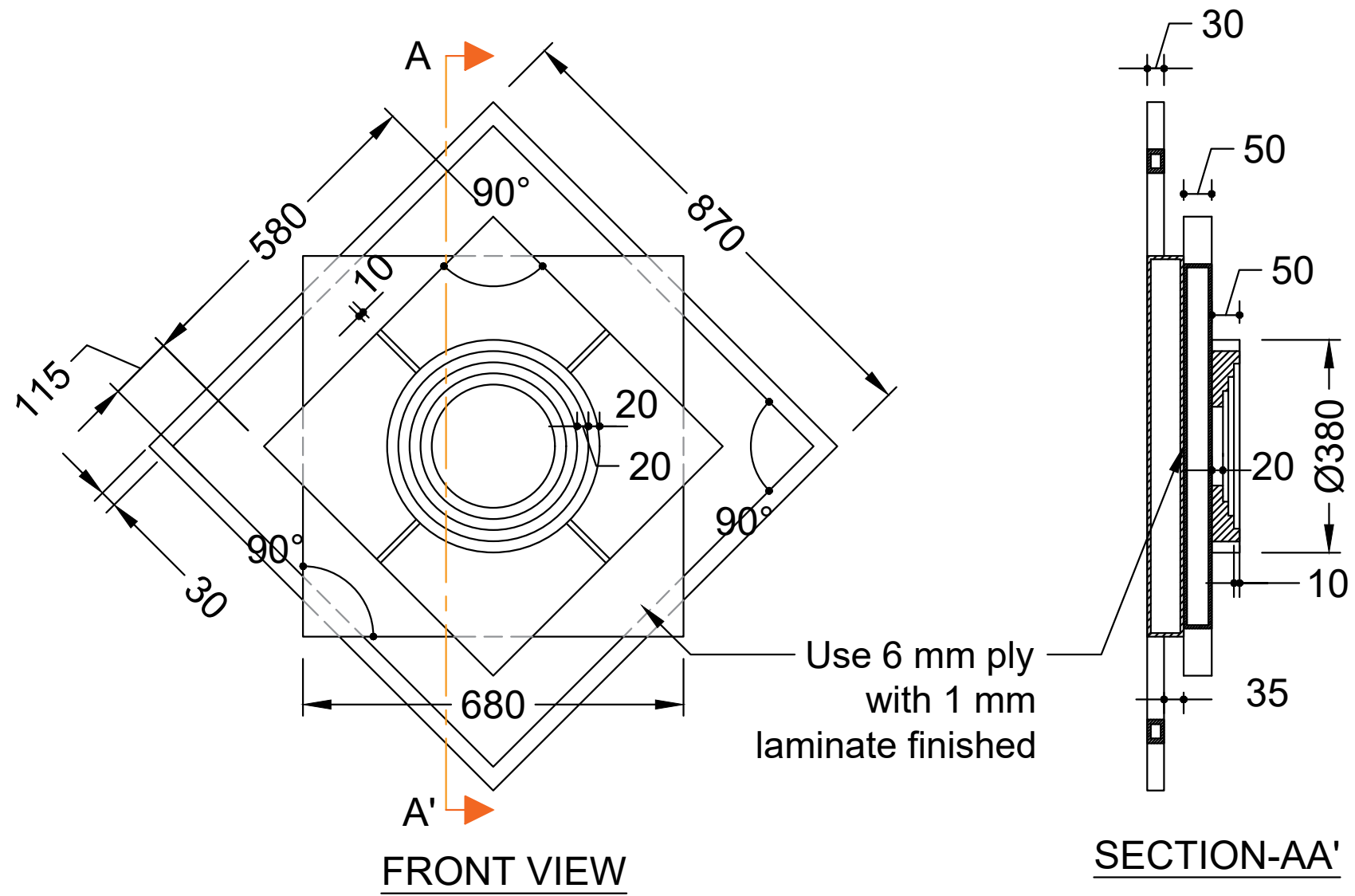
SECTION-AA'

Bamboo blind

Use 6 mm ply with 1 mm laminate finished on teakwood batten 25 x 50 mm, frame grid @450 x 450 mm c/c, peripheral frame made of 50 x 50 mm teakwood

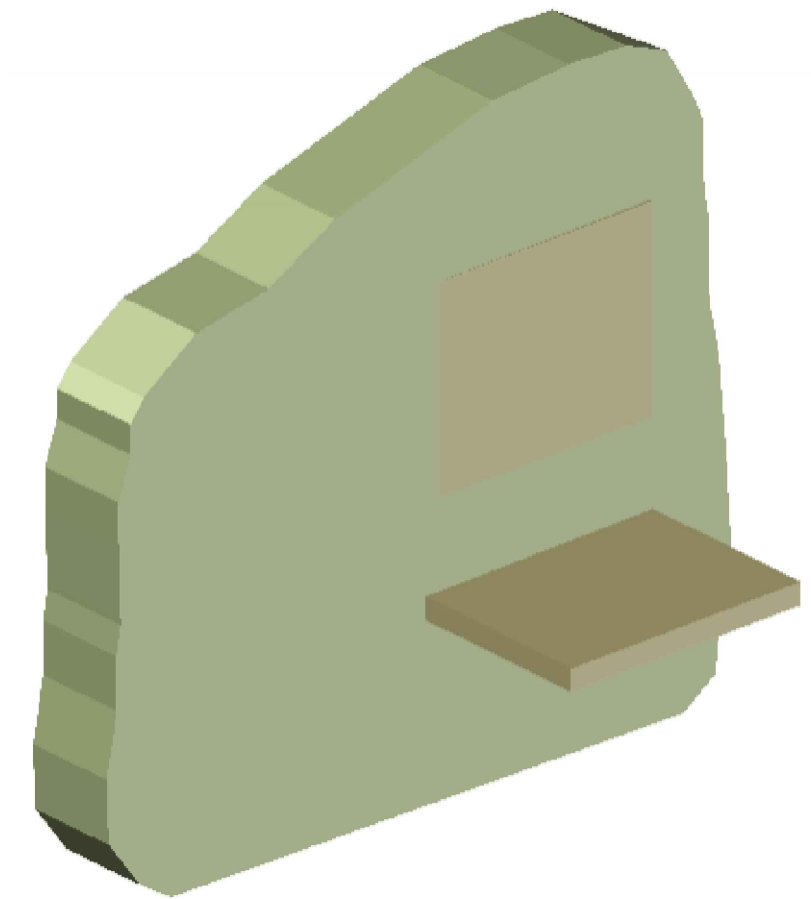
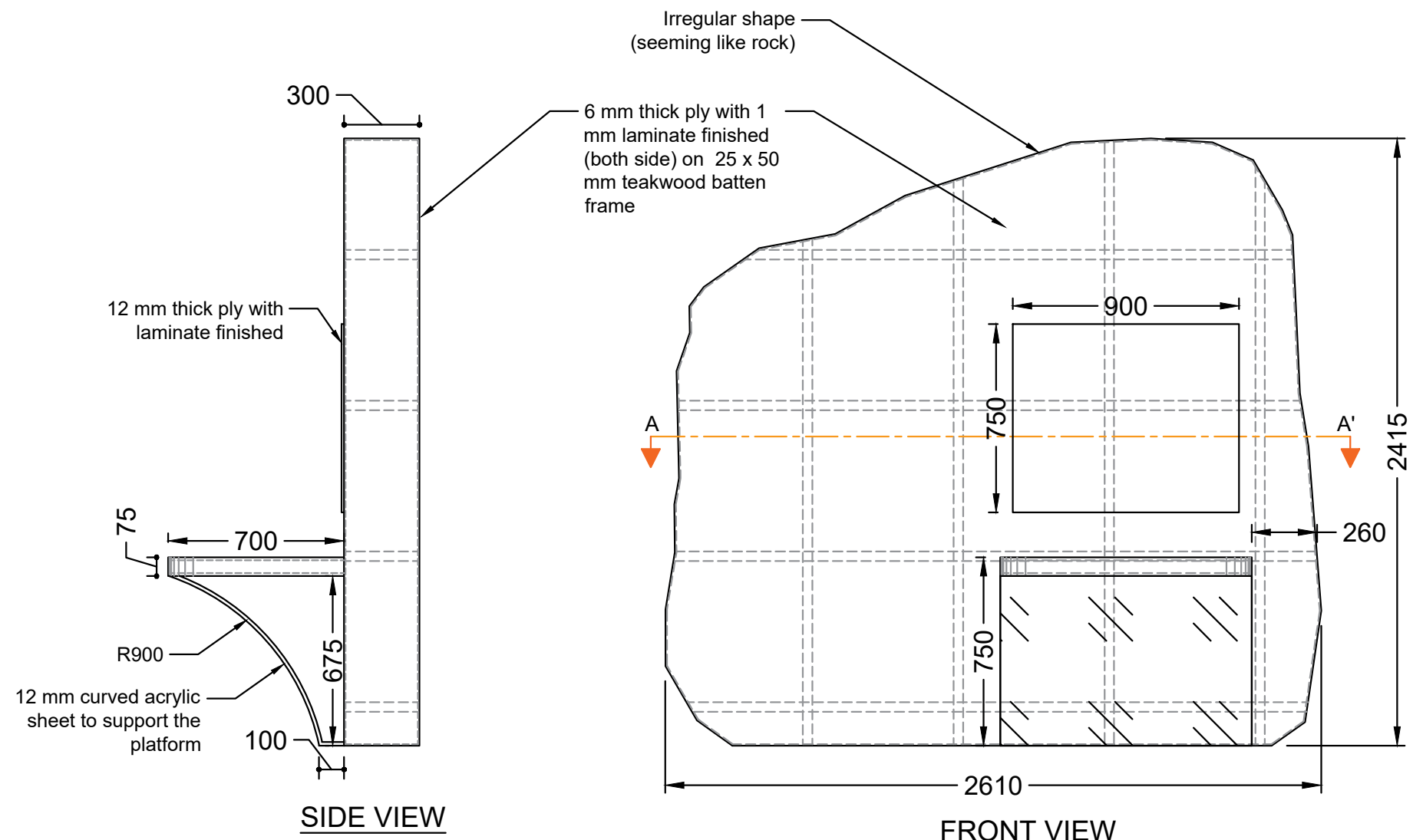
PART -A

REGIONAL SCIENCE CENTER GUWAHATI		
Gallery: Indian Traditional Medicines in NE Region Section:- Indian Traditional Medicinal Heritage -An Overview		
DRG. NO. RSCG/ITM-NER- 2.6	DATE 22/08/2023	SCALE Not to scale
TITLE:- Unani		SHEET NO. 01 OF 02
DRN. BY Muktada	CKD. BY Samant Kumar Singh(Cr)	APPRD. BY Sujay Majumder(PC)

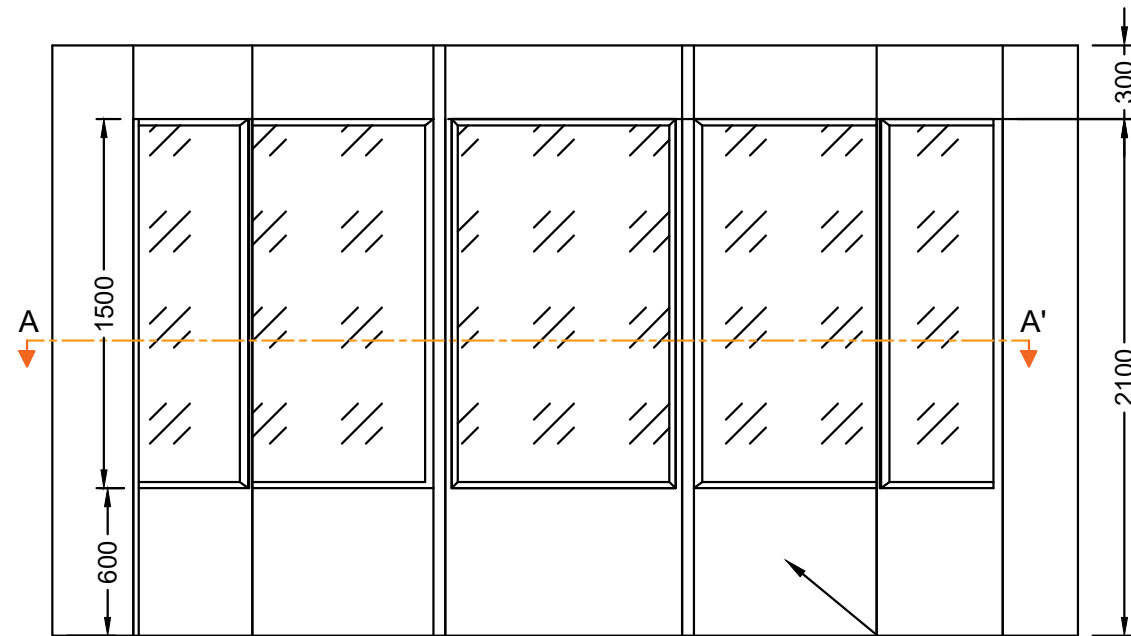


PART-A DETAILS

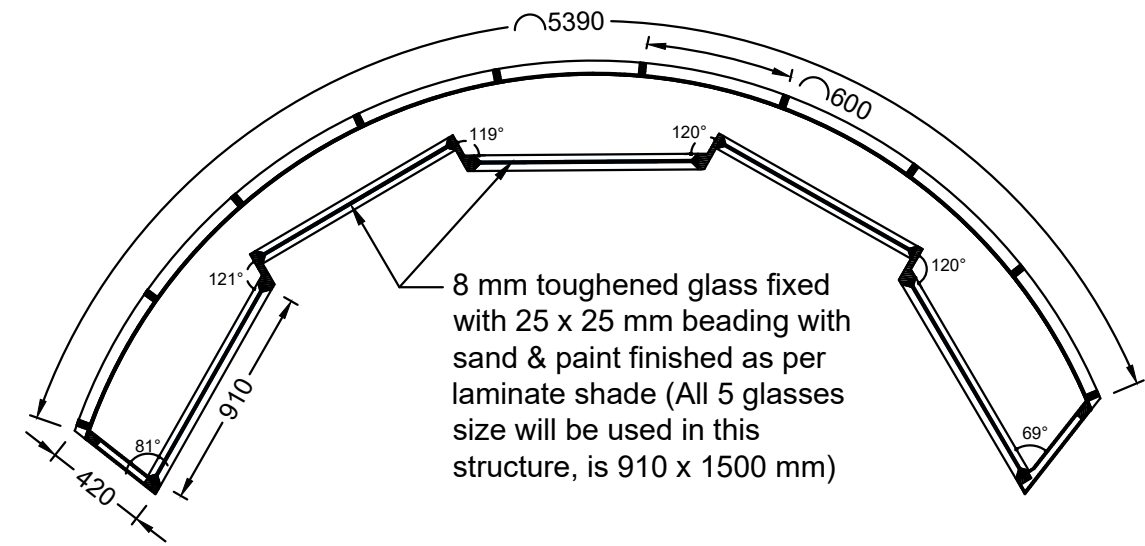
REGIONAL SCIENCE CENTER GUWAHATI		
Gallery: Indian Traditional Medicines in NE Region		
Section:- Indian Traditional Medicinal Heritage -An Overview		
DRG. NO. RSCG/ITM-NER- 2.6	DATE 22/08/2023	SCALE Not to scale
TITLE:- Unani		SHEET NO. 02 OF 02
DRN. BY Muktada	CKD. BY Samant Kumar Singh(Cr)	APPRD. BY Sujay Majumder(PC)



REGIONAL SCIENCE CENTER GUWAHATI		
Gallery: Indian Traditional Medicines in NE Region Section:- Indian Traditional Medicinal Heritage -An Overview		
DRG. NO. RSCG/ITM-NER- 2.7	DATE 22/08/2023	SCALE Not to scale
TITLE:- Girnar Rock Edict of Emperor Ashoka & Yoga		SHEET NO. 01 OF 01
DRN. BY Muktada	CKD. BY Samant Kumar Singh(Cr)	APPRD. BY Sujay Majumder(PC)

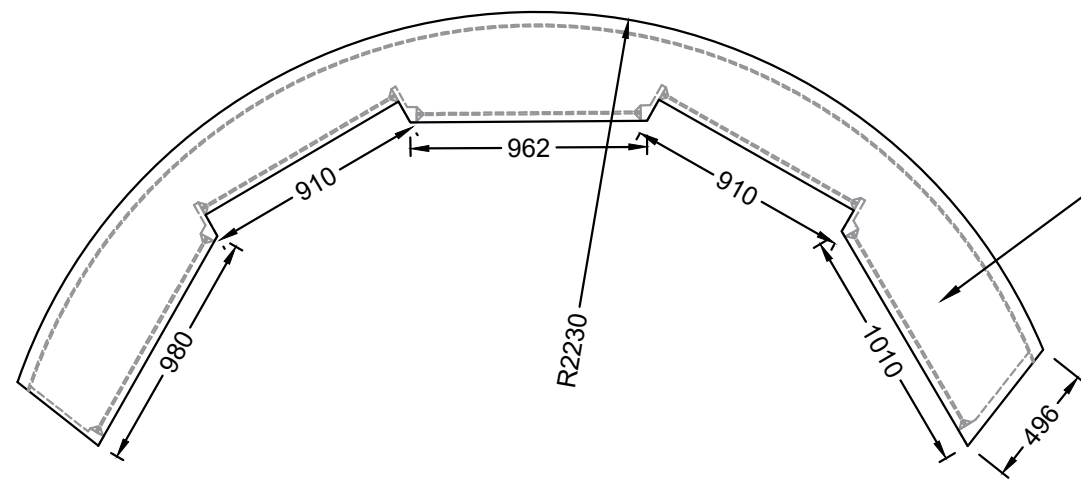


FRONT VIEW



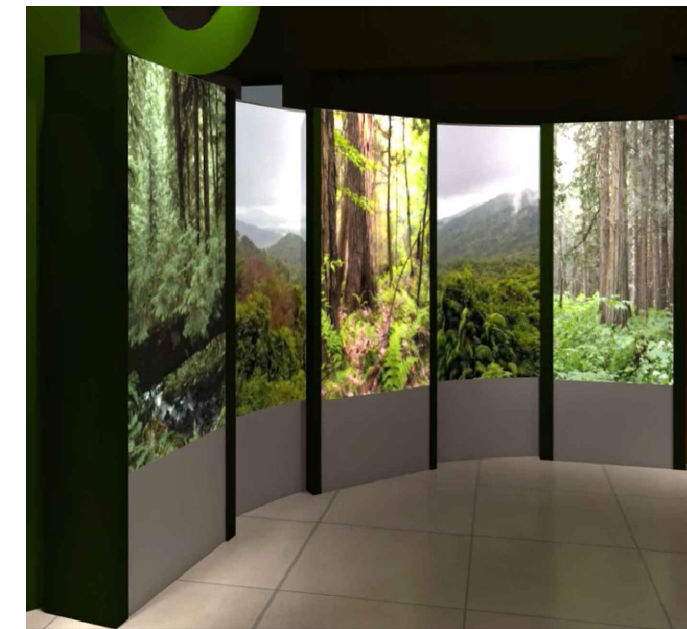
SECTION-AA'

Use 6 mm ply with 1 mm laminate finished on teakwood batten size 25 x 50 mm & peripheral 50 X 50 mm teakwood battens

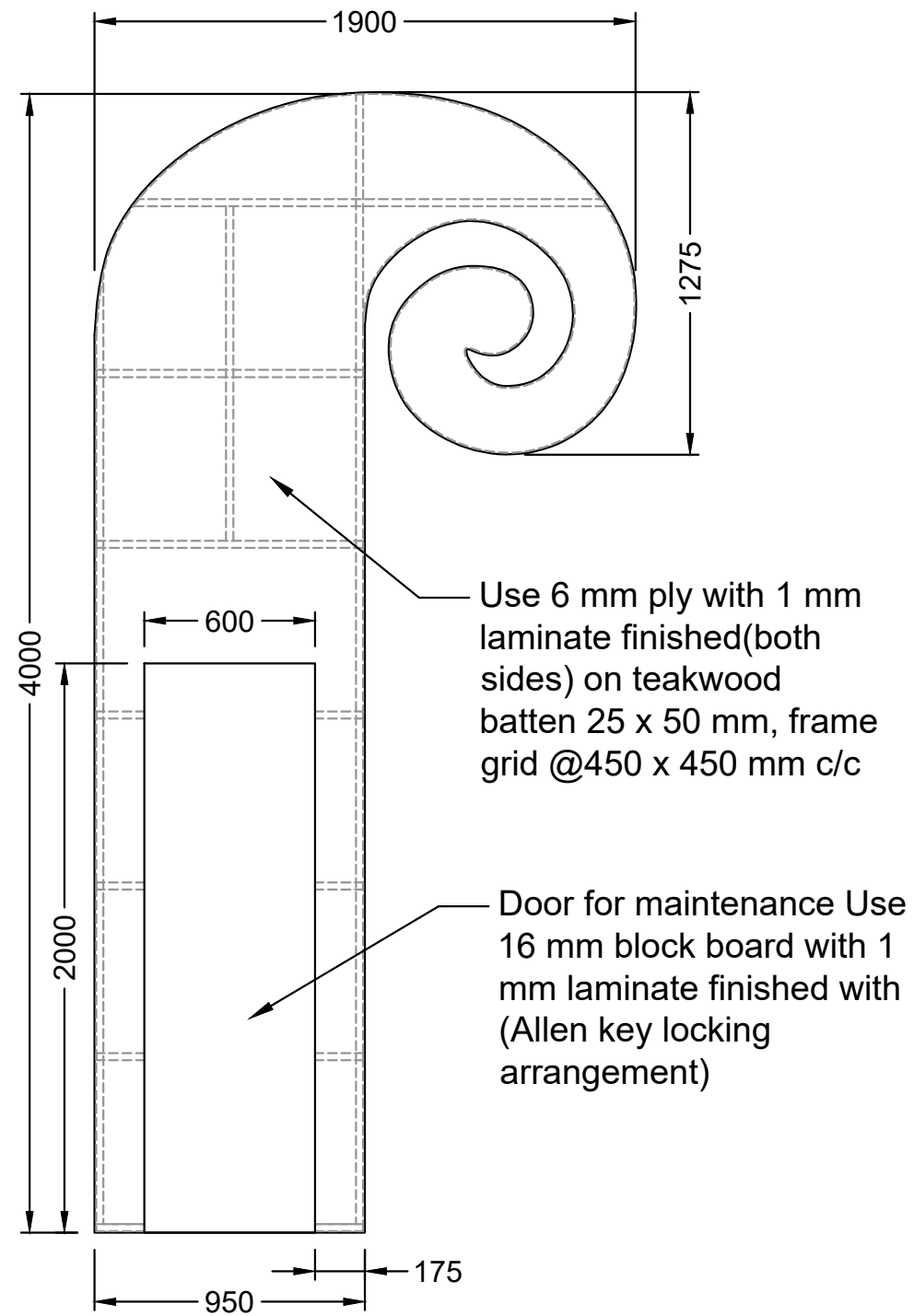


TOP VIEW

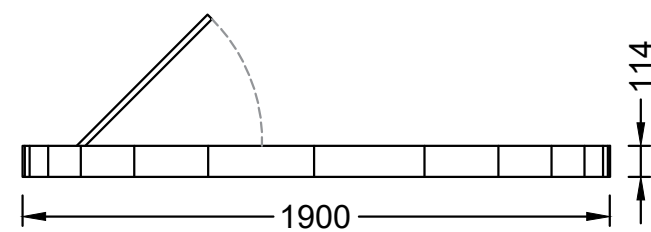
Use 6 mm ply with 1 mm laminate finished (Both Side) with teakwood structure



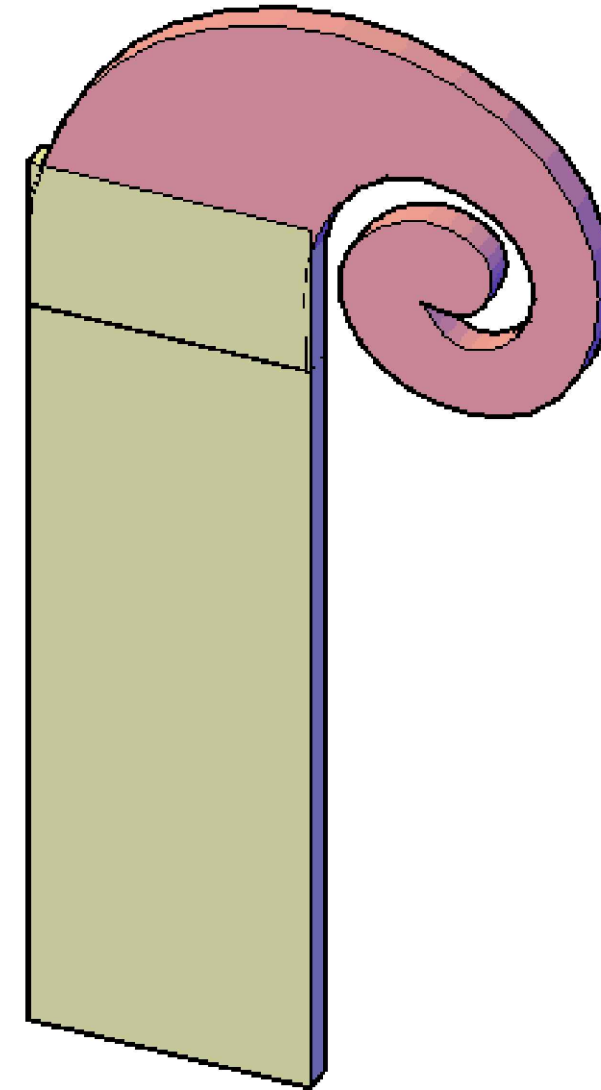
REGIONAL SCIENCE CENTER GUWAHATI		
Gallery: Indian Traditional Medicines in NE Region Section:- Medicinal Plants of North-East India		
DRG. NO. RSCG/ITM-NER- 3.1	DATE 22/08/2023	SCALE Not to scale
TITLE:- Types of Forests in India		SHEET NO. 01 OF 03
DRN. BY Muktada	CKD. BY Samant Kumar Singh(Cr)	APPRD. BY Sujay Majumder(PC)



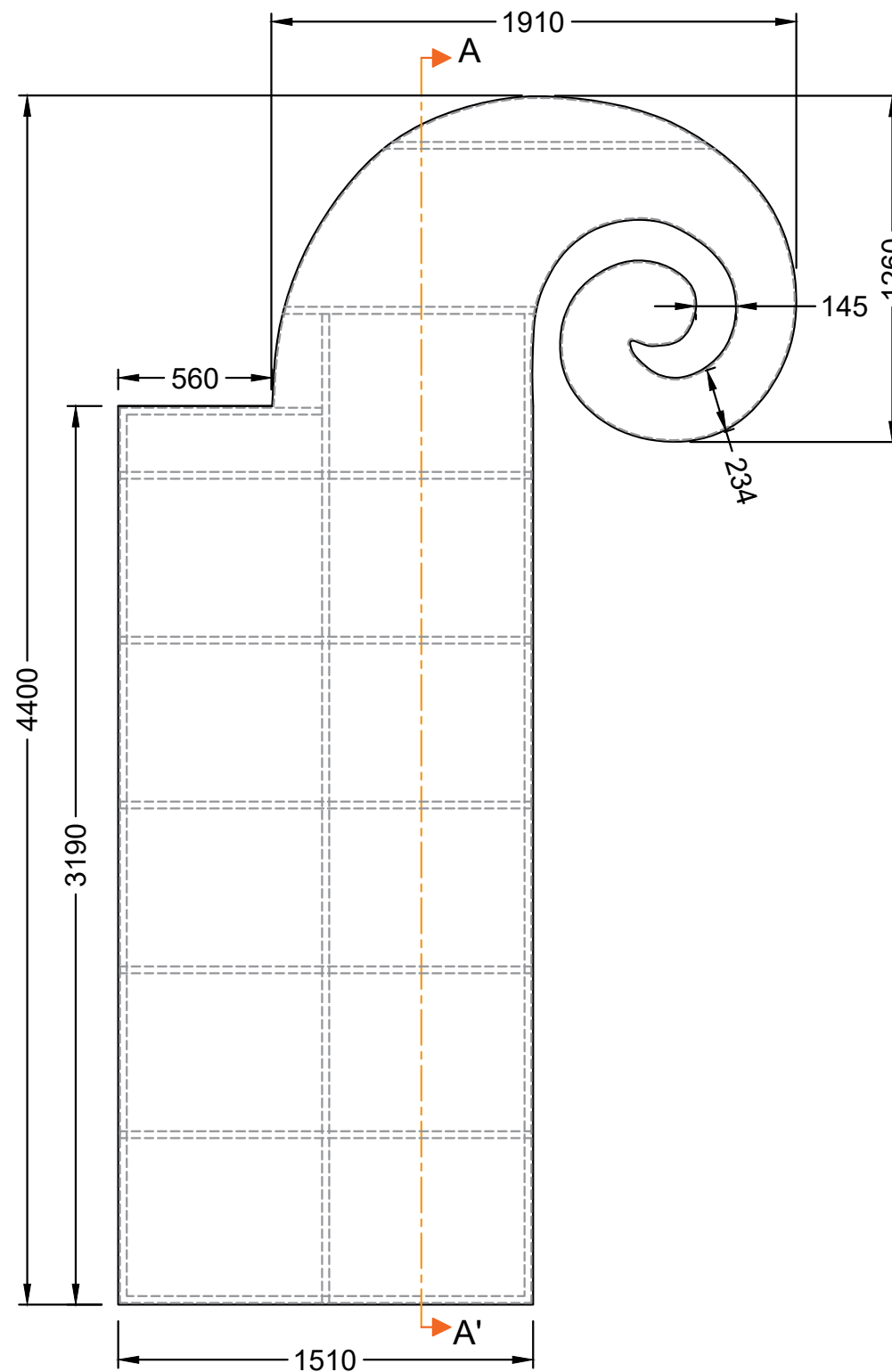
FRONT VIEW



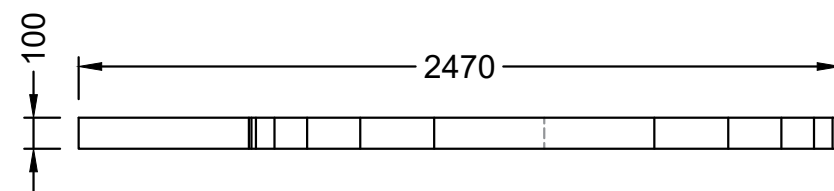
TOP VIEW



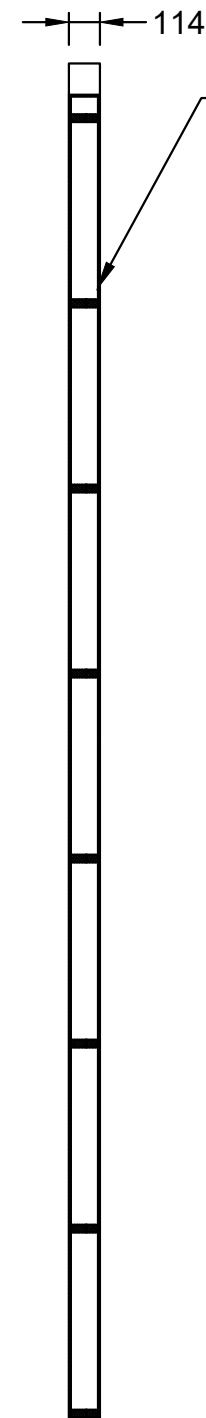
REGIONAL SCIENCE CENTER GUWAHATI		
Gallery: Indian Traditional Medicines in NE Region		
Section:- Medicinal Plants of North-East India		
DRG. NO. RSCG/ITM-NER- 3.1	DATE 22/08/2023	SCALE Not to scale
TITLE:- Types of Forests in India		SHEET NO. 02 OF 03
DRN. BY Muktada	CKD. BY Samant Kumar Singh(Cr)	APPRD. BY Sujay Majumder(PC)



FRONT VIEW

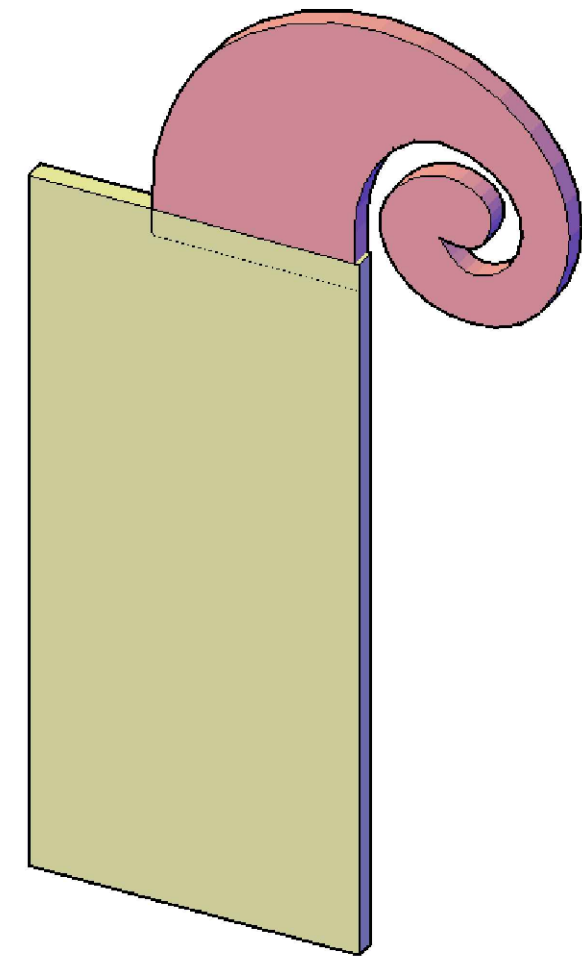


TOP VIEW

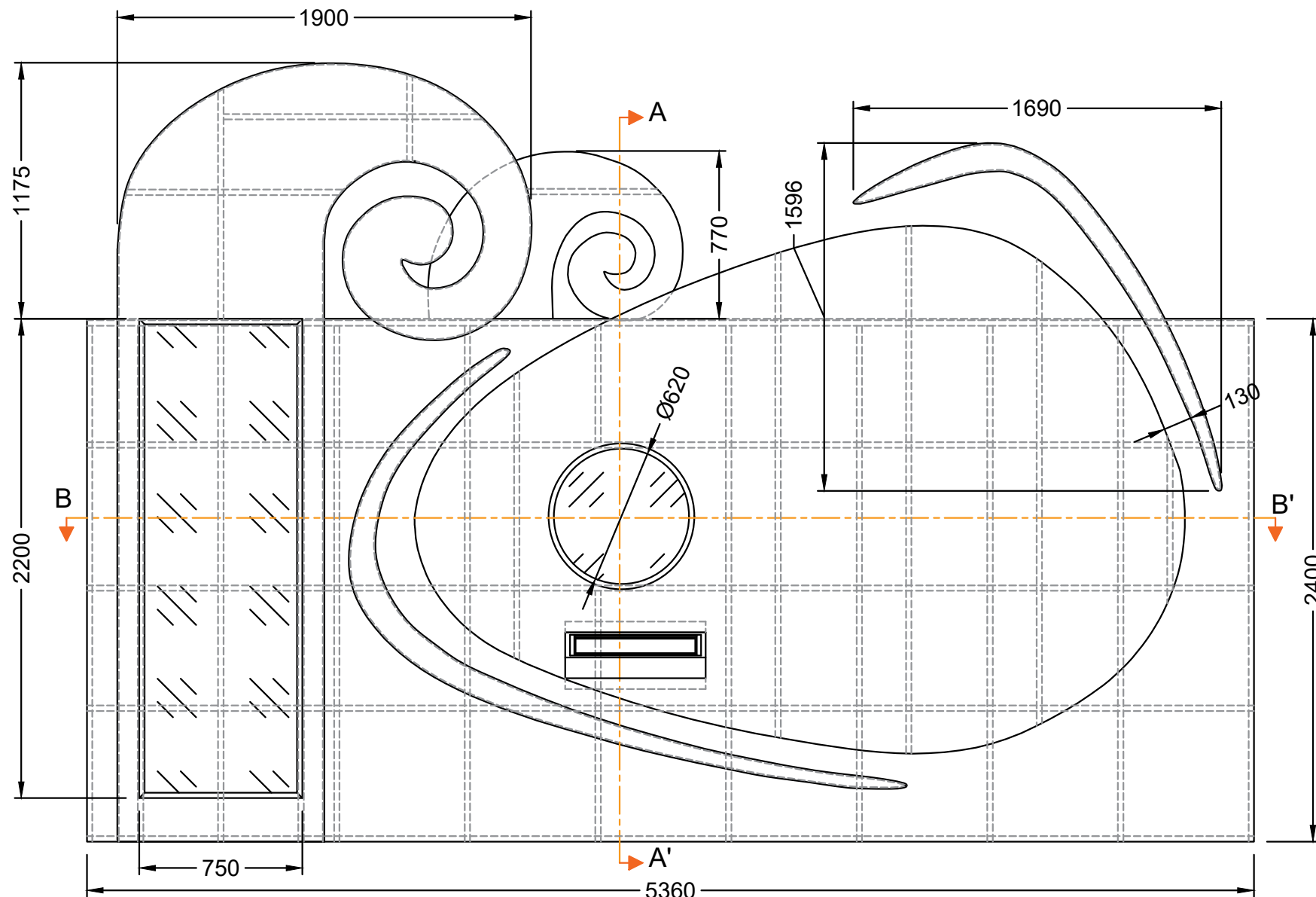


SECTION-AA'

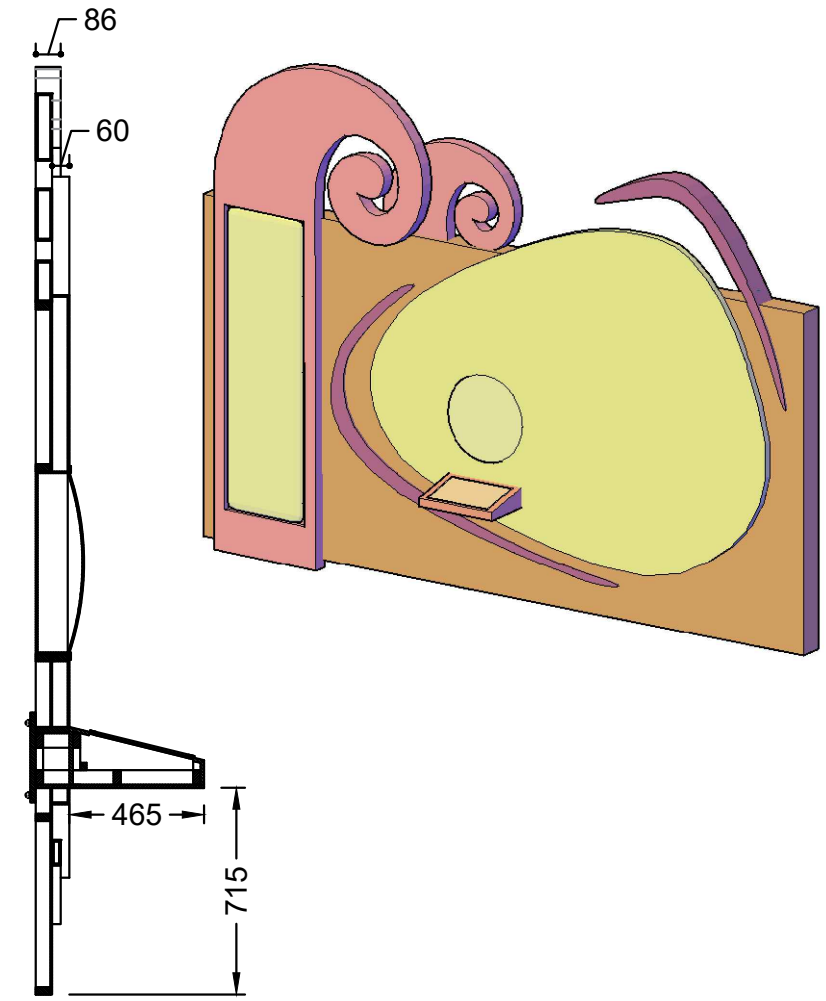
Use 6 mm ply with 1 mm laminate finished(both sides) on teakwood batten 25 x 50 mm, frame grid @450 x 450 mm c/c



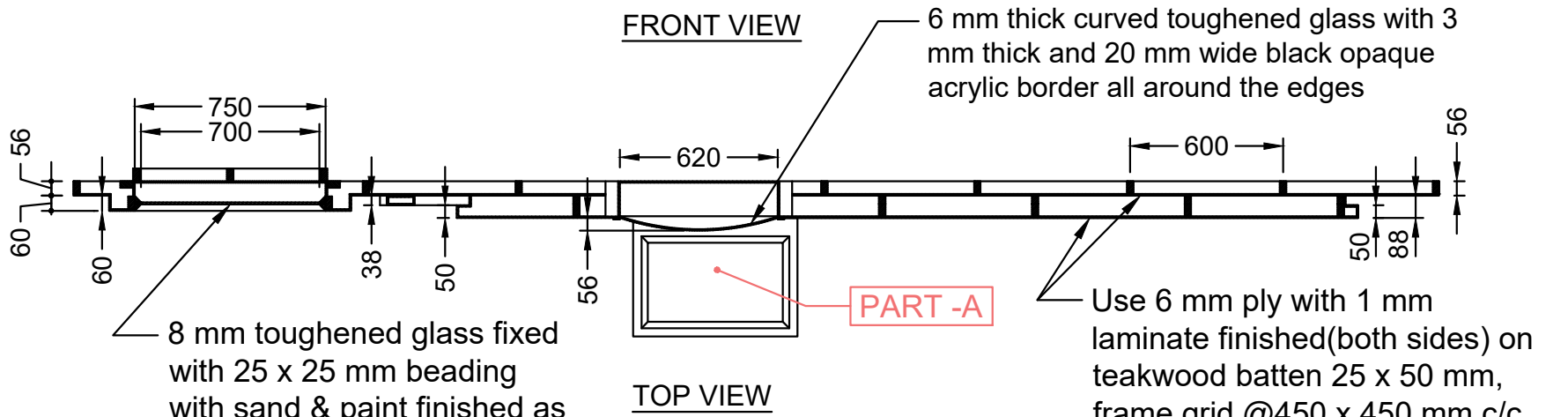
REGIONAL SCIENCE CENTER GUWAHATI		
Gallery: Indian Traditional Medicines in NE Region Section:- Medicinal Plants of North-East India		
DRG. NO. RSCG/ITM-NER- 3.1	DATE 22/08/2023	SCALE Not to scale
TITLE:- Types of Forests in India		SHEET NO. 03 OF 03
DRN. BY Muktada	CKD. BY Samant Kumar Singh(Cr)	APPRD. BY Sujay Majumder(PC)



FRONT VIEW



SECTION-AA'



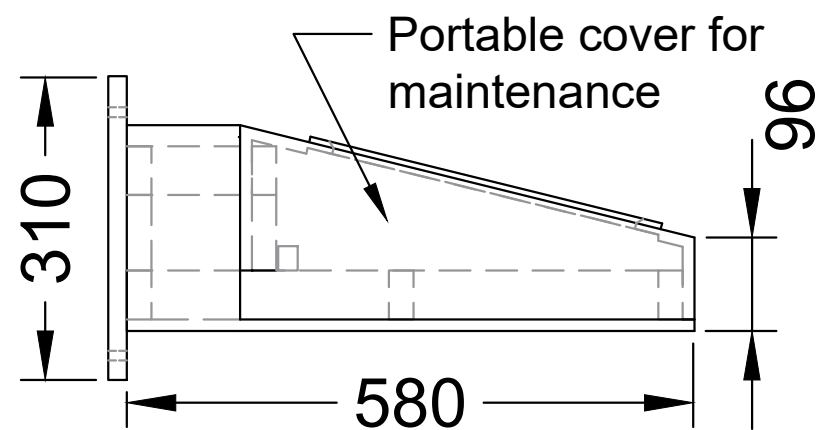
TOP VIEW

8 mm toughened glass fixed with 25 x 25 mm beading with sand & paint finished as per laminate shade

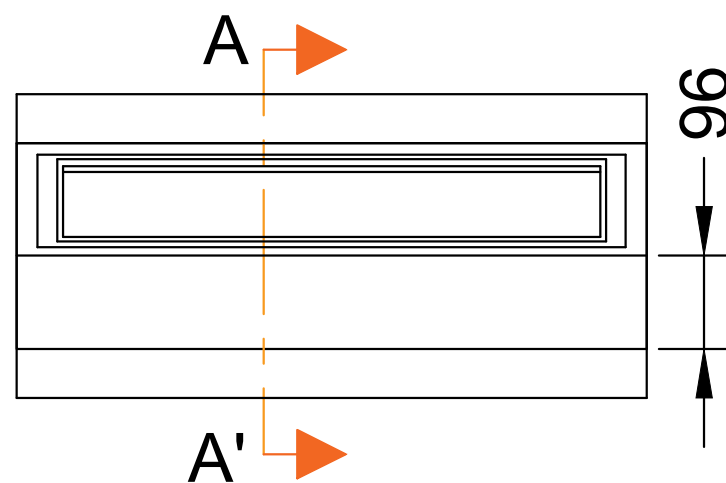
6 mm thick curved toughened glass with 3 mm thick and 20 mm wide black opaque acrylic border all around the edges

Use 6 mm ply with 1 mm laminate finished(both sides) on teakwood batten 25 x 50 mm, frame grid @450 x 450 mm c/c, peripheral frame made of 50 x 50 mm teakwood

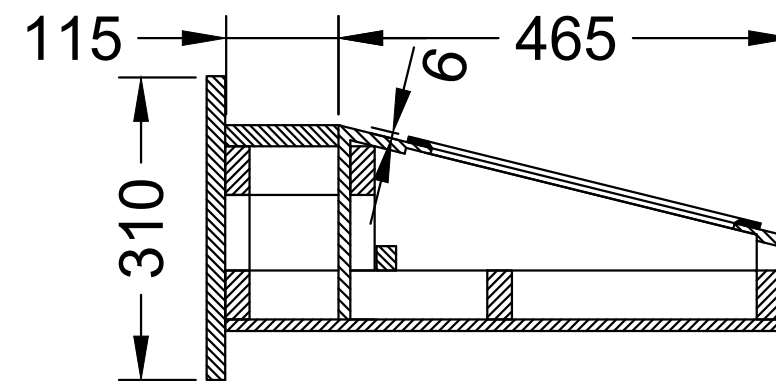
REGIONAL SCIENCE CENTER GUWAHATI		
Gallery: Indian Traditional Medicines in NE Region		
Section:- Medicinal Plants of North-East India		
DRG. NO. RSCG/ITM-NER- 3.2 & 3.3	DATE 22/08/2023	SCALE Not to scale
TITLE:- Geographical Distribution & Medicinal Plants in Different States of North-East India		SHEET NO. 01 OF 02
DRN. BY Muktada	CKD. BY Samant Kumar Singh(Cr)	APPRD. BY Sujay Majumder(PC)



SIDE VIEW

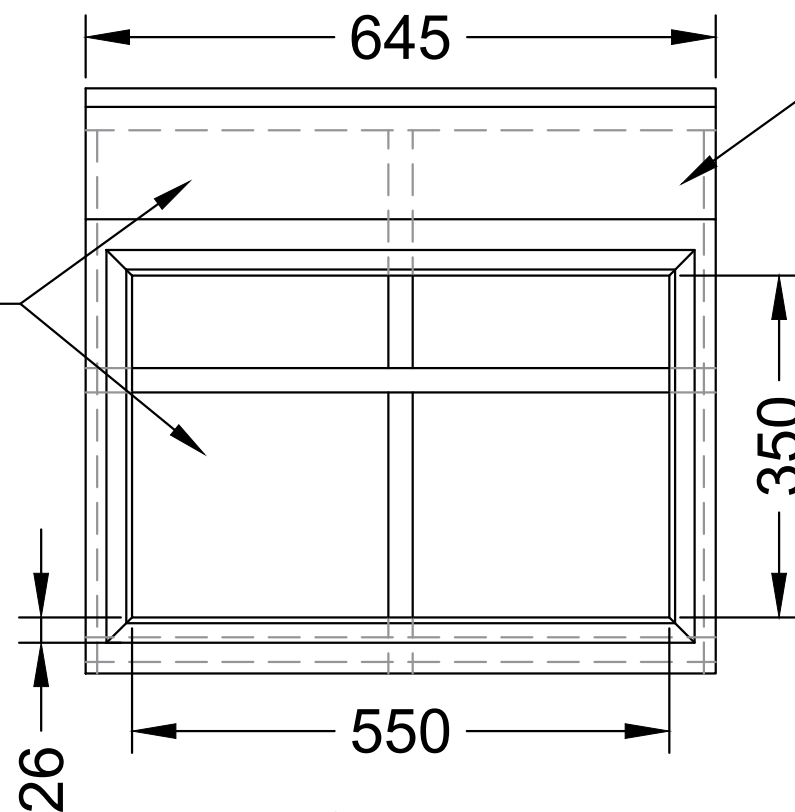


FRONT VIEW



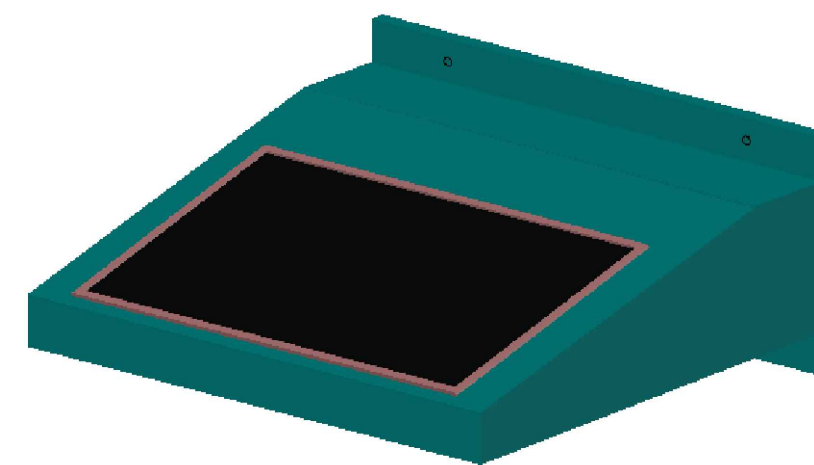
SECTION-AA'

Use 12 mm ply with 1 mm laminate finished on teakwood batten 25 x 50 mm



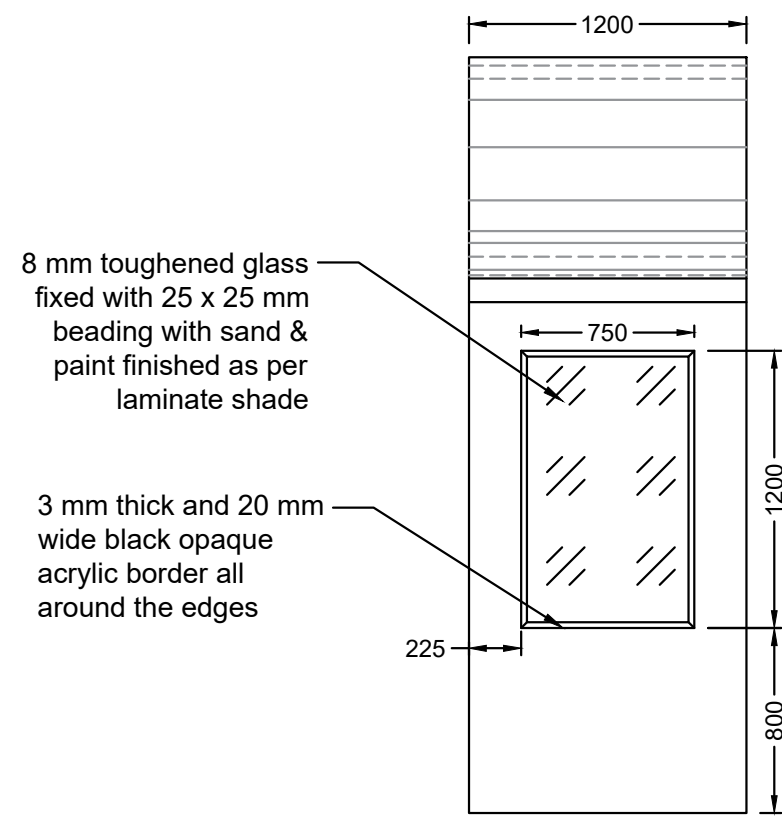
TOP VIEW

Fix with nut & bolt to the main panel



PART-A DETAILS

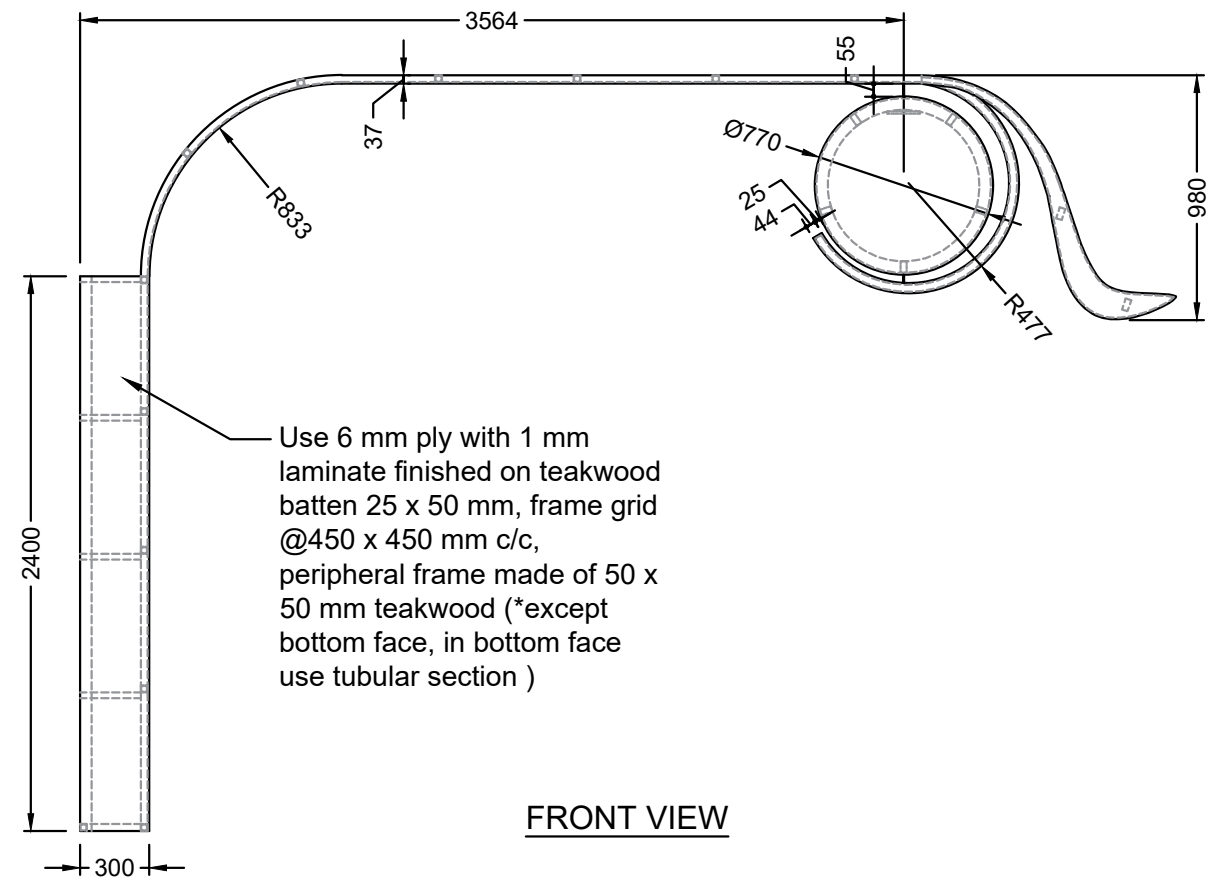
REGIONAL SCIENCE CENTER GUWAHATI		
Gallery: Indian Traditional Medicines in NE Region Section:- Medicinal Plants of North-East India		
DRG. NO. RSCG/ITM-NER- 3.3	DATE 22/08/2023	SCALE Not to scale
TITLE:- Medicinal Plants in Different States of North-East India		SHEET NO. 02 OF 02
DRN. BY Muktada	CKD. BY Samant Kumar Singh(Cr)	APPRD. BY Sujay Majumder(PC)



8 mm toughened glass fixed with 25 x 25 mm beading with sand & paint finished as per laminate shade

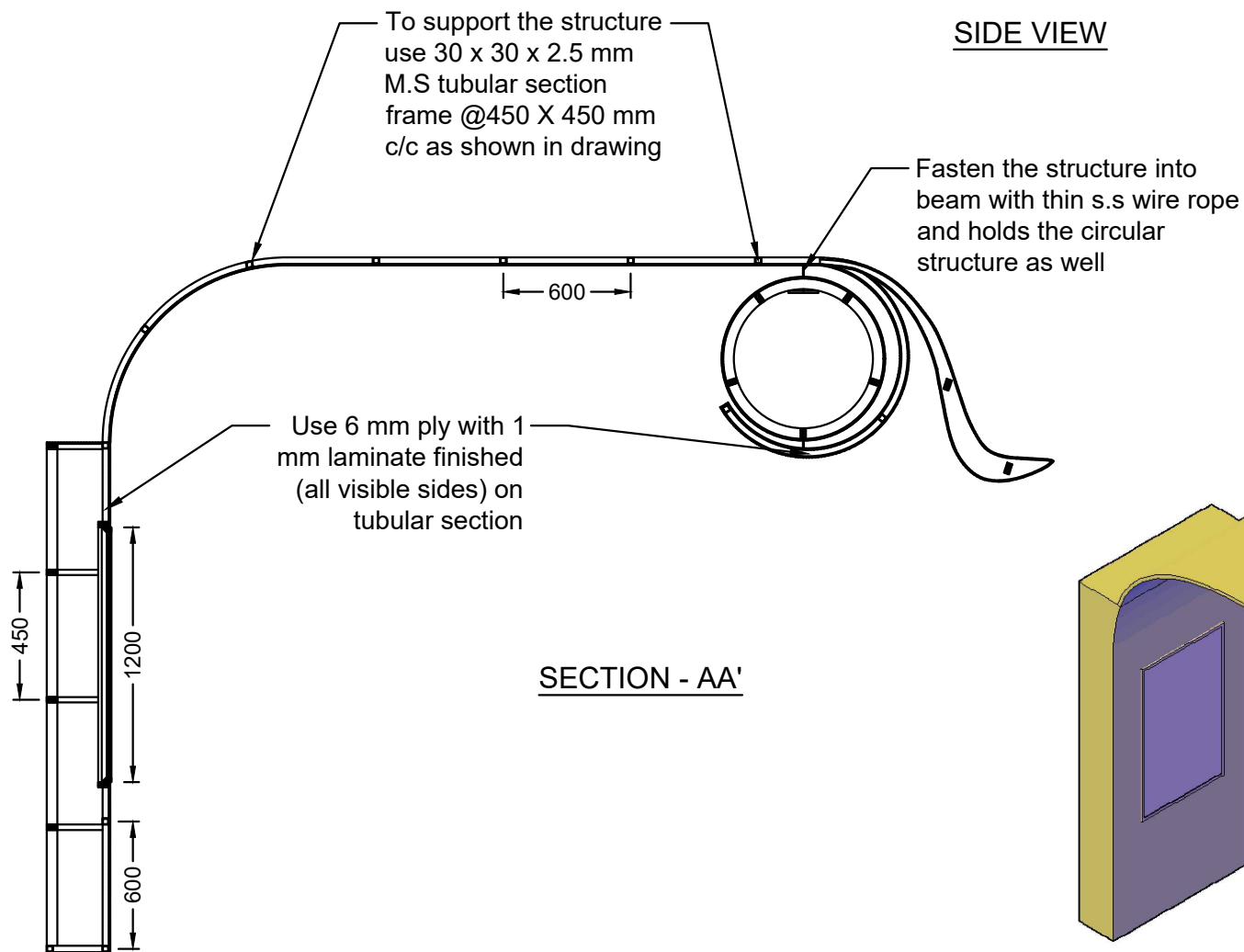
3 mm thick and 20 mm wide black opaque acrylic border all around the edges

SIDE VIEW

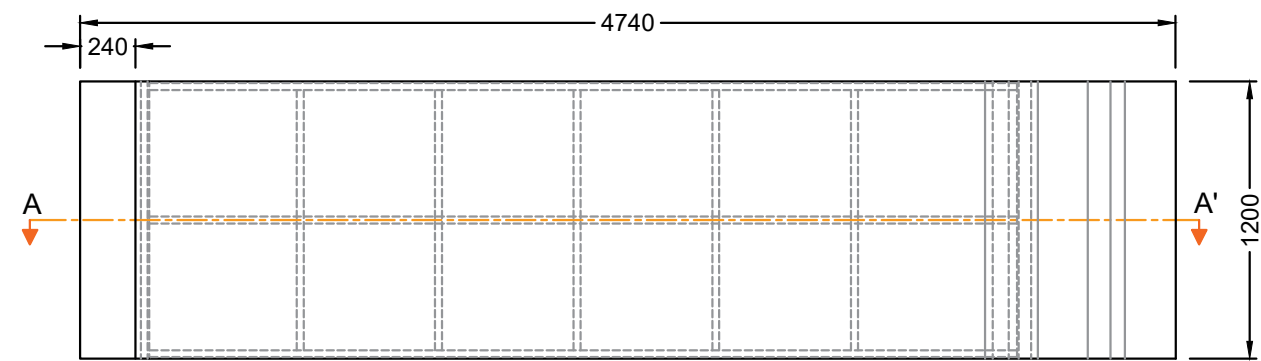


Use 6 mm ply with 1 mm laminate finished on teakwood batten 25 x 50 mm, frame grid @450 x 450 mm c/c, peripheral frame made of 50 x 50 mm teakwood (*except bottom face, in bottom face use tubular section)

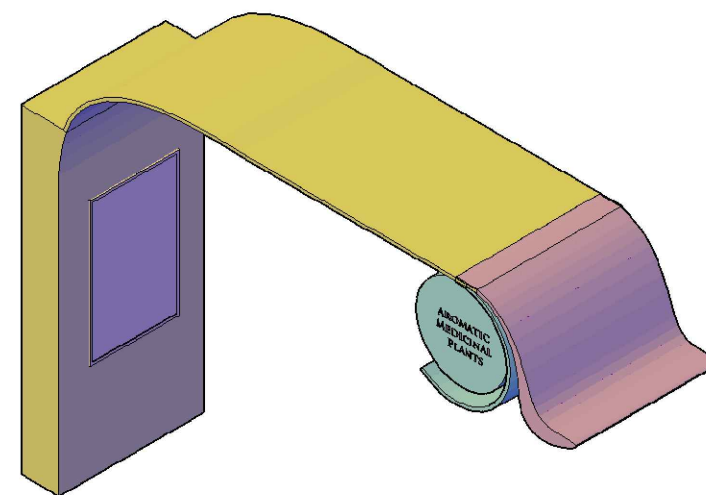
FRONT VIEW



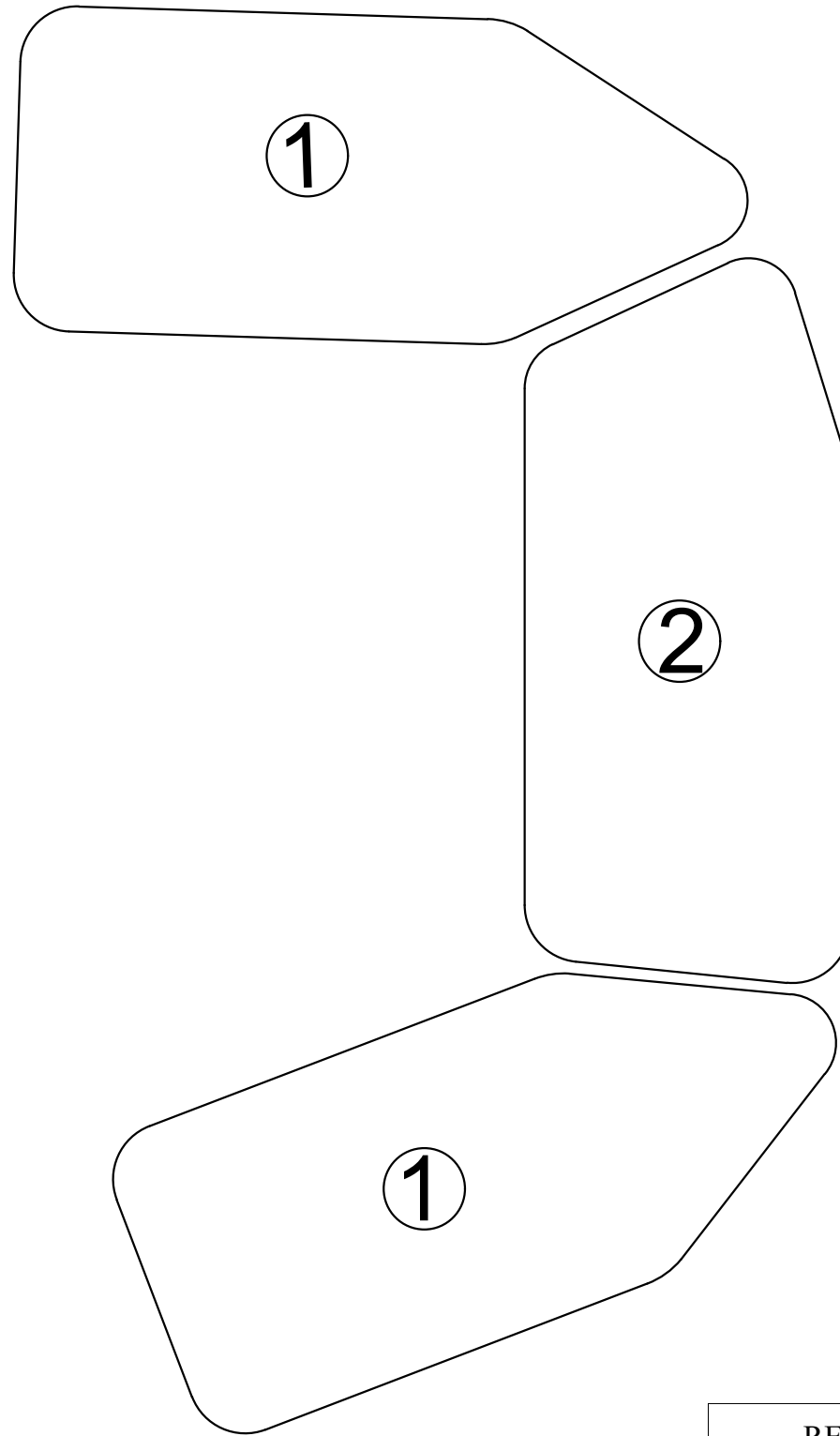
SECTION - AA'



TOP VIEW



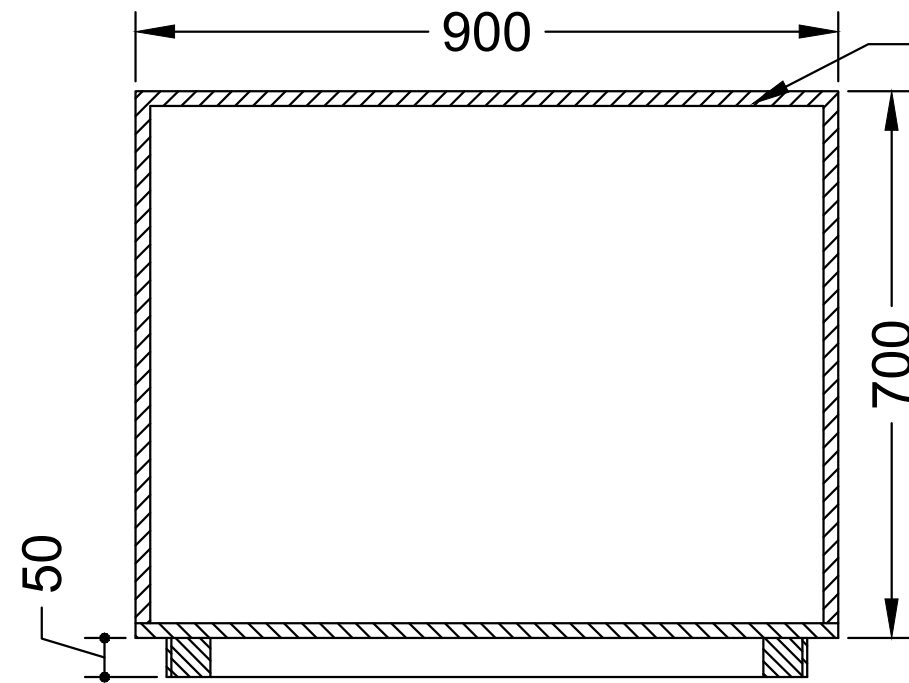
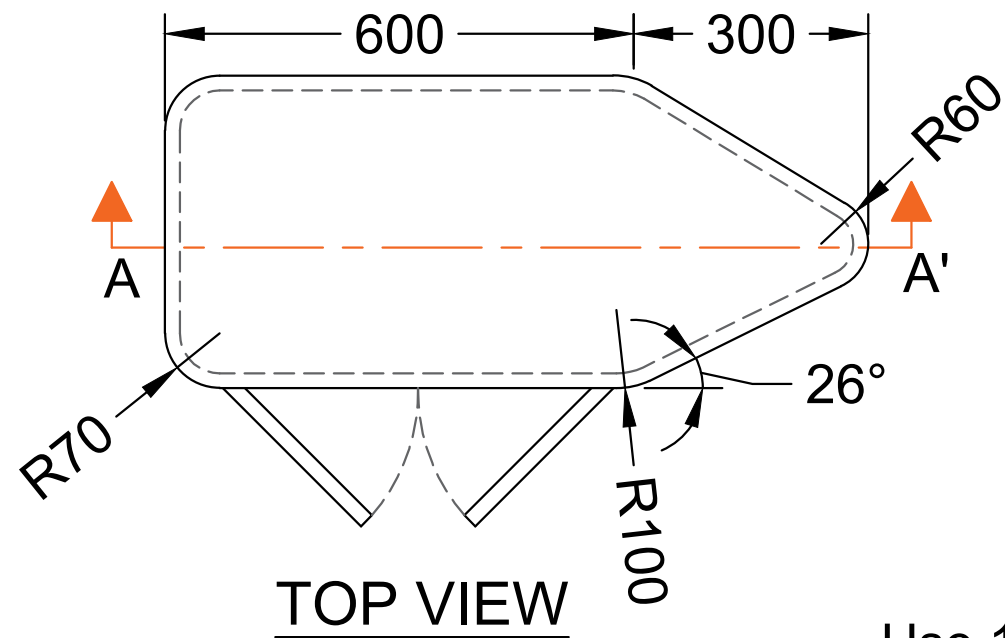
REGIONAL SCIENCE CENTER GUWAHATI		
Gallery: Indian Traditional Medicines in NE Region Section:- Medicinal Plants of North-East India		
DRG. NO. RSCG/ITM-NER- 3.4	DATE 22/08/2023	SCALE Not to scale
TITLE:- A Database of Medicinal Plants of North- East India		SHEET NO. 01 OF 01
DRN. BY Muktada	CKD. BY Samant Kumar Singh(Cr)	APPRD. BY Sujay Majumder(PC)



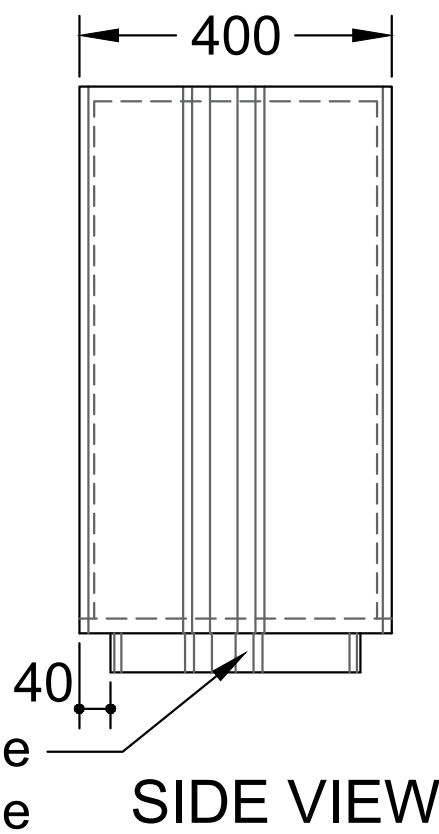
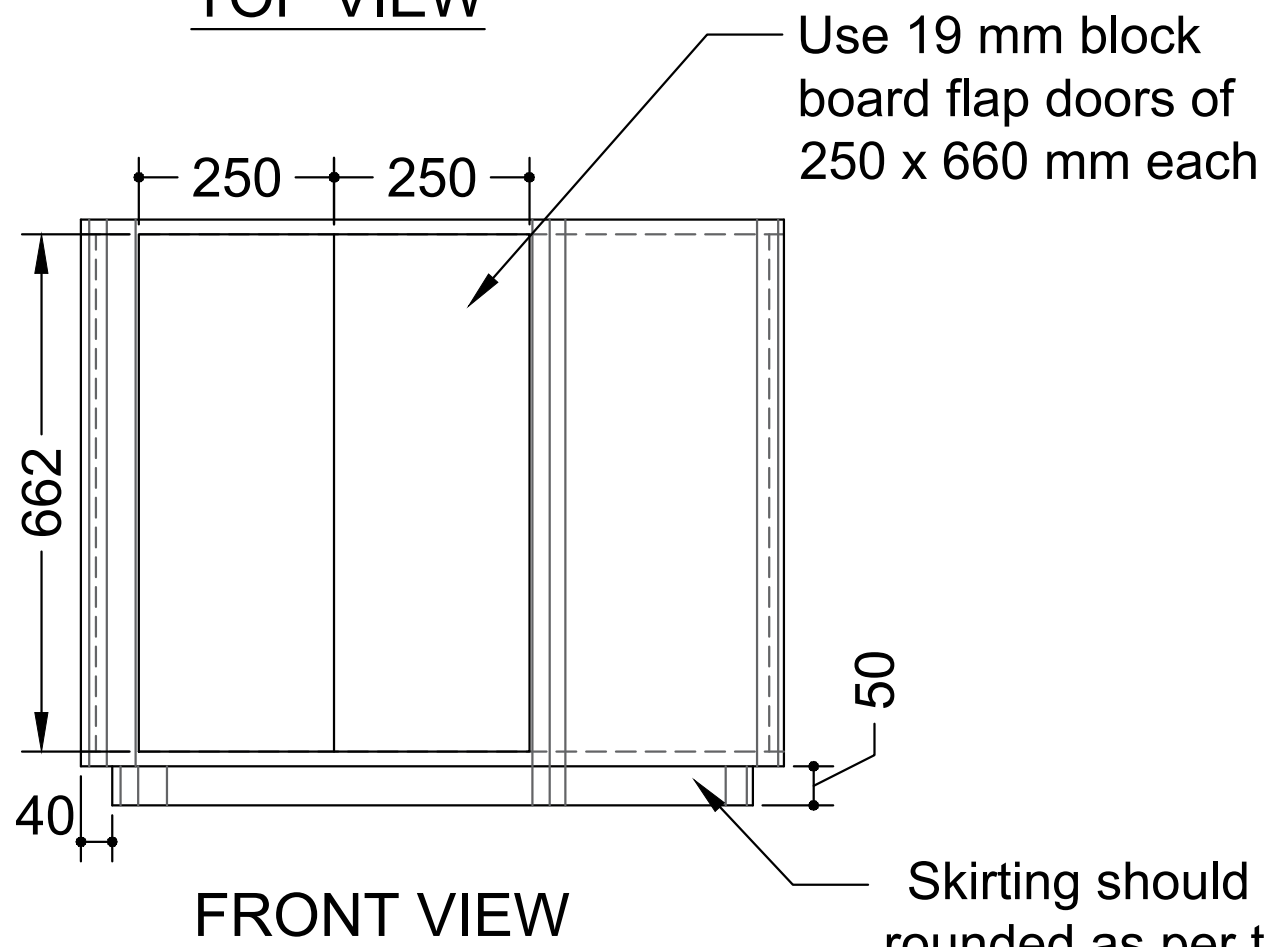
GENERAL ARRANGEMENT OF CUPBOARDS

REGIONAL SCIENCE CENTER GUWAHATI		
Gallery: Indian Traditional Medicines in NE Region Section:- Special Categories of Traditional Medicinal Plants		
DRG. NO. RSCG/ITM-NER- 4.1	DATE 22/08/2023	SCALE Not to scale
TITLE:- Aromatic Medicinal Plants		SHEET NO. 01 OF 03
DRN. BY Muktada	CKD. BY Samant Kumar Singh(Cr)	APPRD. BY Sujay Majumder(PC)

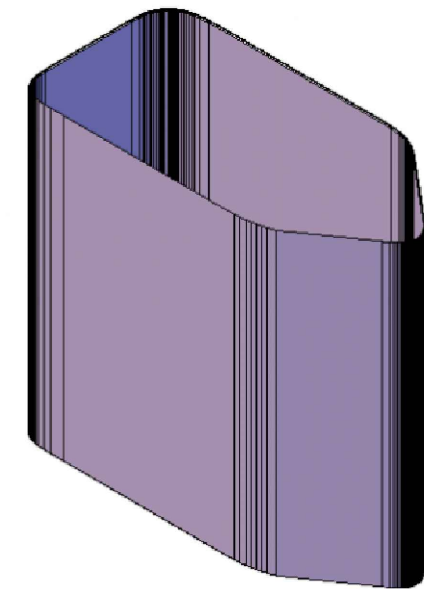
TYPE - 01 (2 NOS.)



Use 19 mm thick block board with 1 mm laminate finished to all visible area (including skirting)



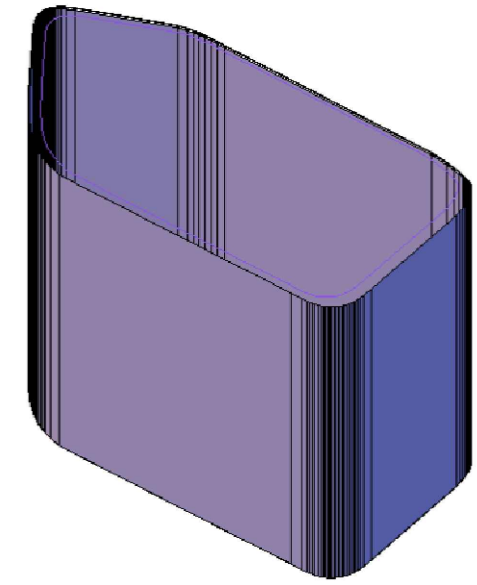
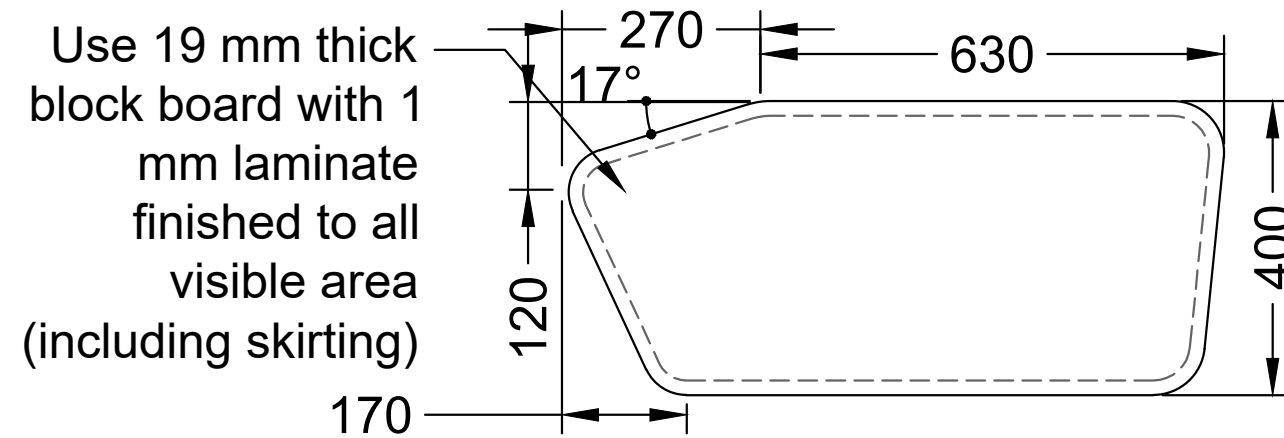
Skirting should be rounded as per the upper profile



REGIONAL SCIENCE CENTER GUWAHATI		
Gallery: Indian Traditional Medicines in NE Region Section:- Special Categories of Traditional Medicinal Plants		
DRG. NO. RSCG/ITM-NER- 4.1	DATE 22/08/2023	SCALE Not to scale
TITLE:- Aromatic Medicinal Plants		SHEET NO. 02 OF 03
DRN. BY Muktada	CKD. BY Samant Kumar Singh(Cr)	APPRD. BY Sujay Majumder(PC)

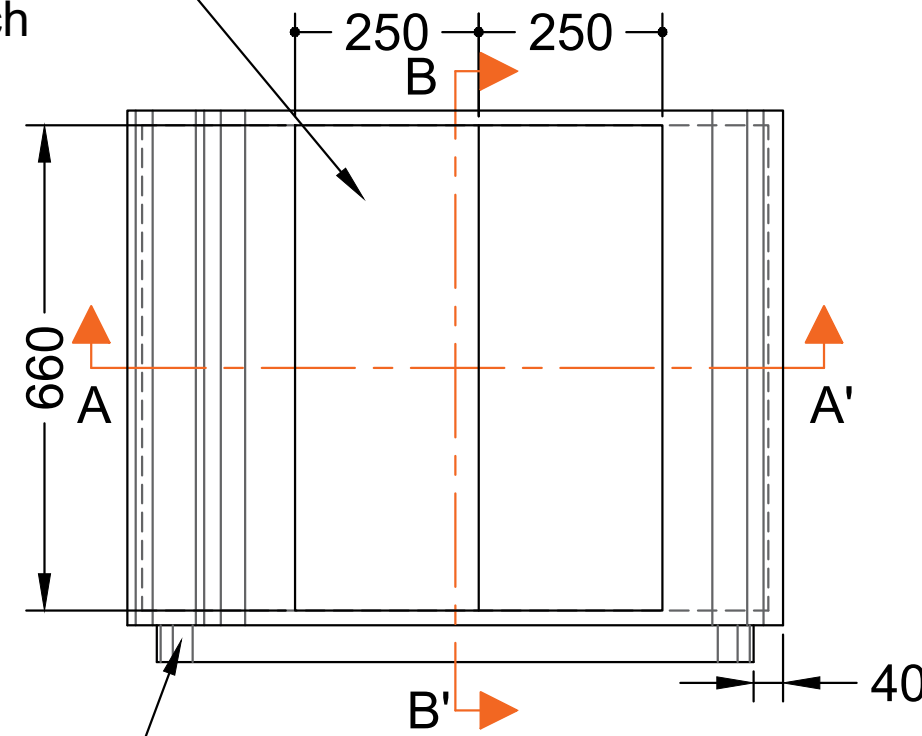
TYPE - 02 (1 NO.)

Use 19 mm thick block board with 1 mm laminate finished to all visible area (including skirting)



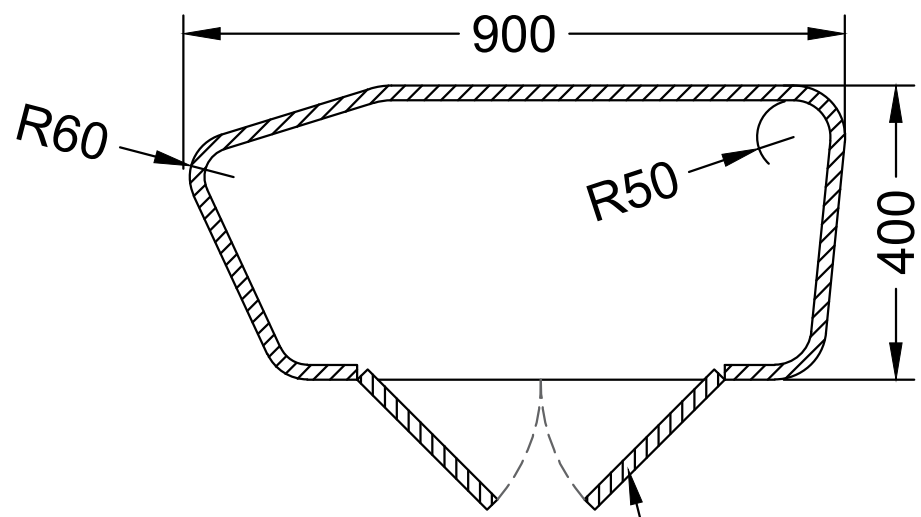
TOP VIEW

Use 19 mm block board flap doors of 250 x 660 mm each



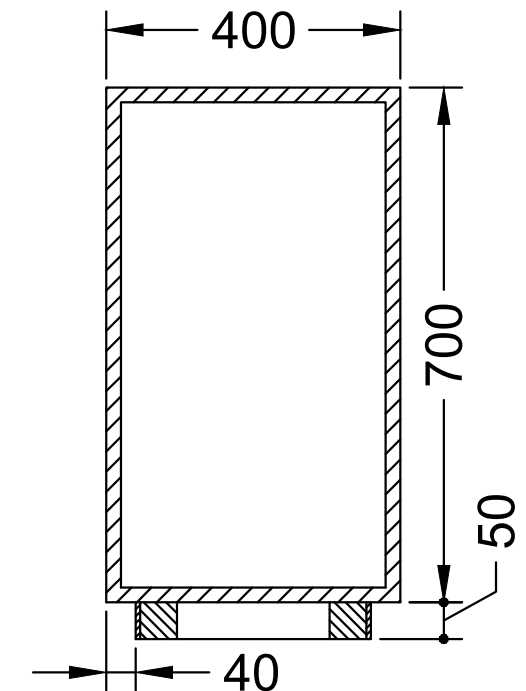
FRONT VIEW

Skirting should be rounded as per the upper profile



SECTION-AA'

Allen key locking arrangement



SECTION-BB'

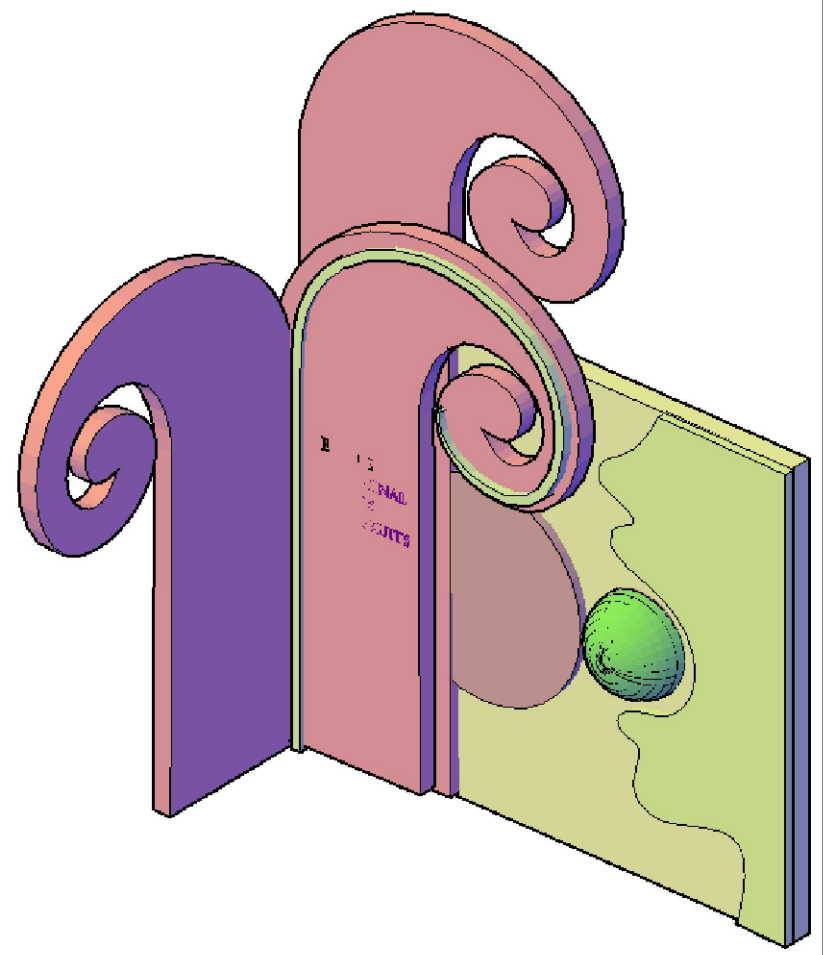
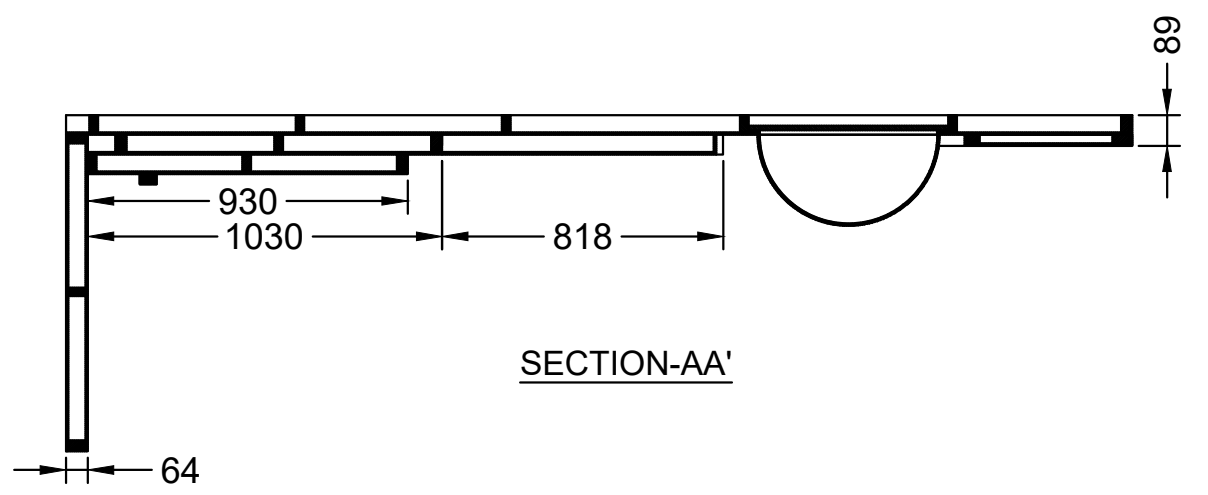
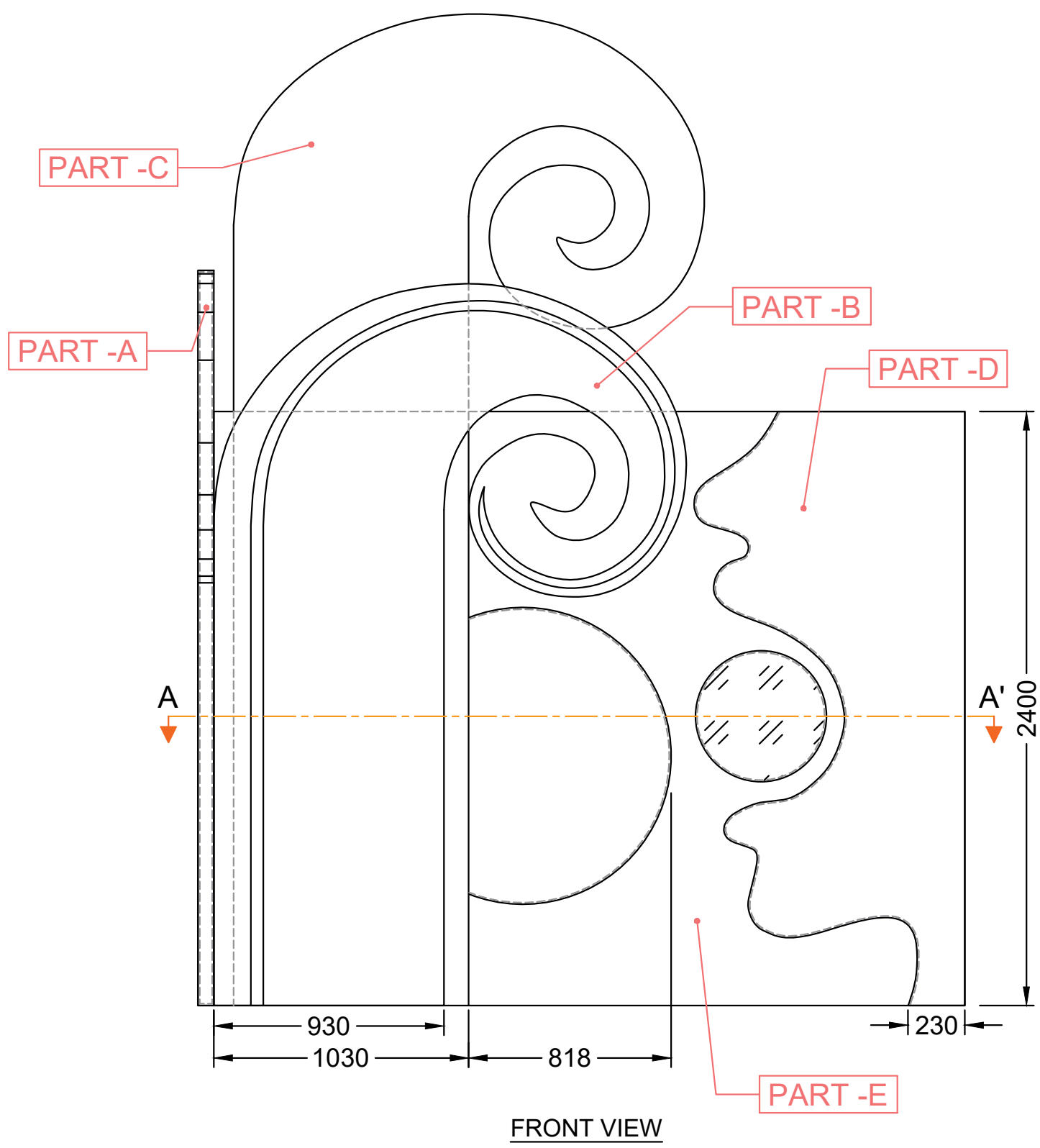
REGIONAL SCIENCE CENTER GUWAHATI

Gallery: Indian Traditional Medicines in NE Region
Section:- Special Categories of Traditional Medicinal Plants

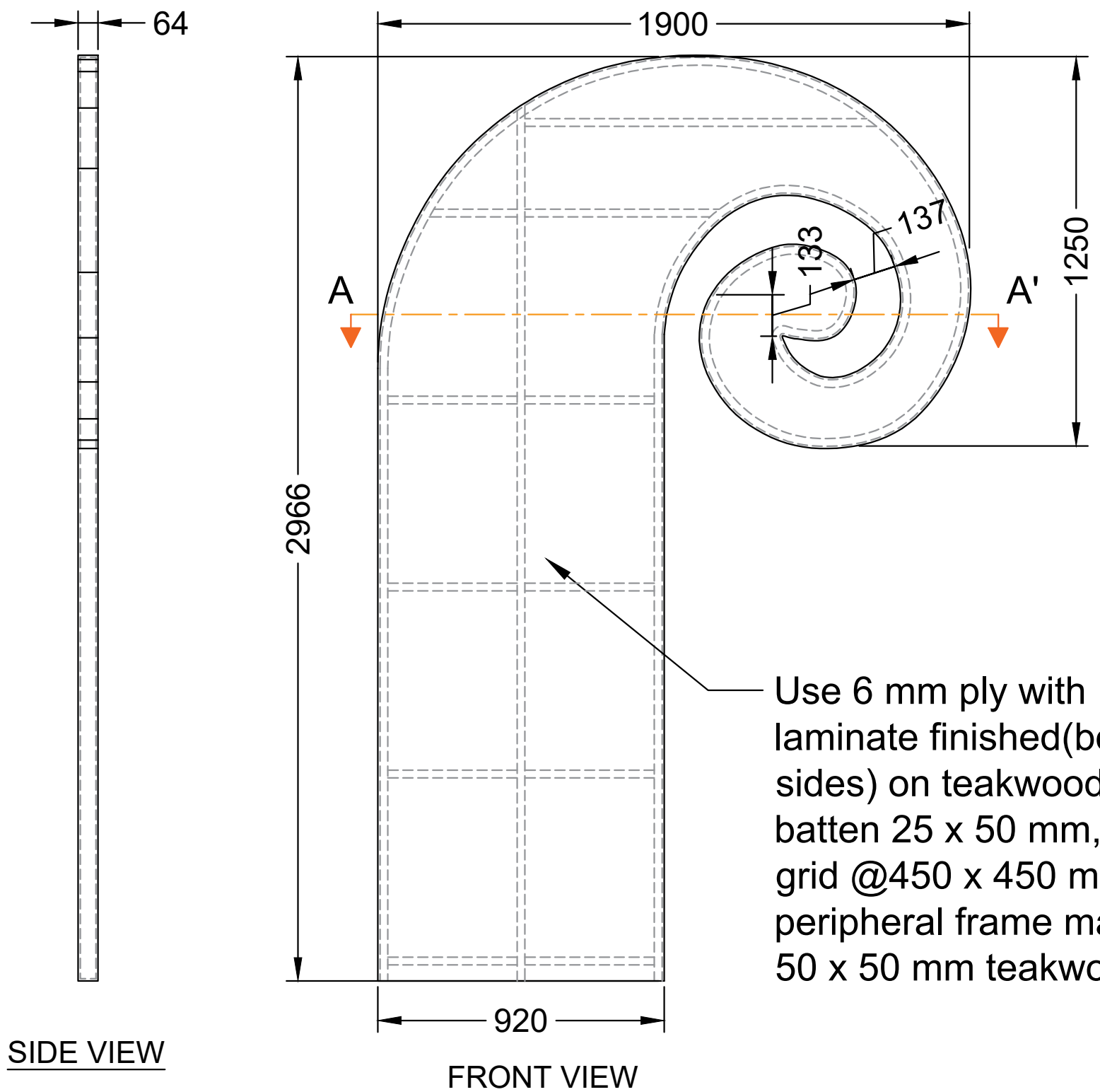
DRG. NO. RSCG/ITM-NER- 4.1	DATE 22/08/2023	SCALE Not to scale
-------------------------------	--------------------	-----------------------

TITLE:- Aromatic Medicinal Plants	SHEET NO. 03 OF 03
-----------------------------------	-----------------------

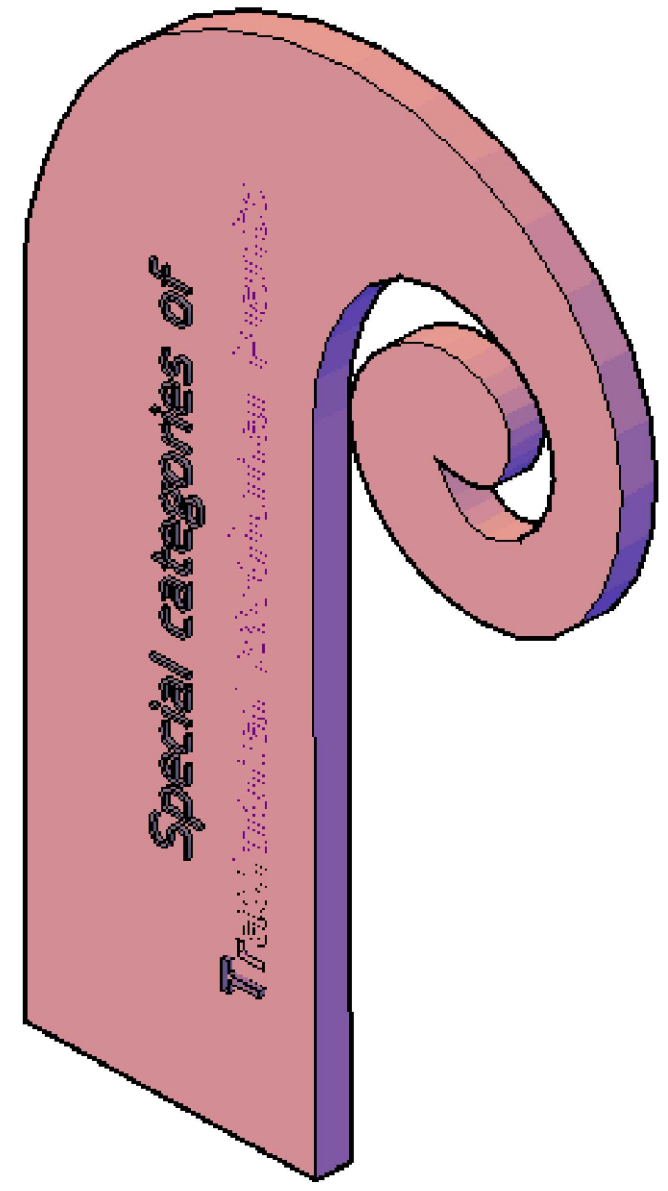
DRN. BY Muktada	CKD. BY Samant Kumar Singh(Cr)	APPRD. BY Sujay Majumder(PC)
--------------------	-----------------------------------	---------------------------------



REGIONAL SCIENCE CENTER GUWAHATI		
Gallery: Indian Traditional Medicines in NE Region Section:- Special Categories of Traditional Medicinal Plants		
DRG. NO. RSCG/ITM-NER- 4.2	DATE 22/08/2023	SCALE Not to scale
TITLE:- Edible Medicinal Plants and Fruits		SHEET NO. 01 OF 06
DRN. BY Muktada	CKD. BY Samant Kumar Singh(Cr)	APPRD. BY Sujay Majumder(PC)

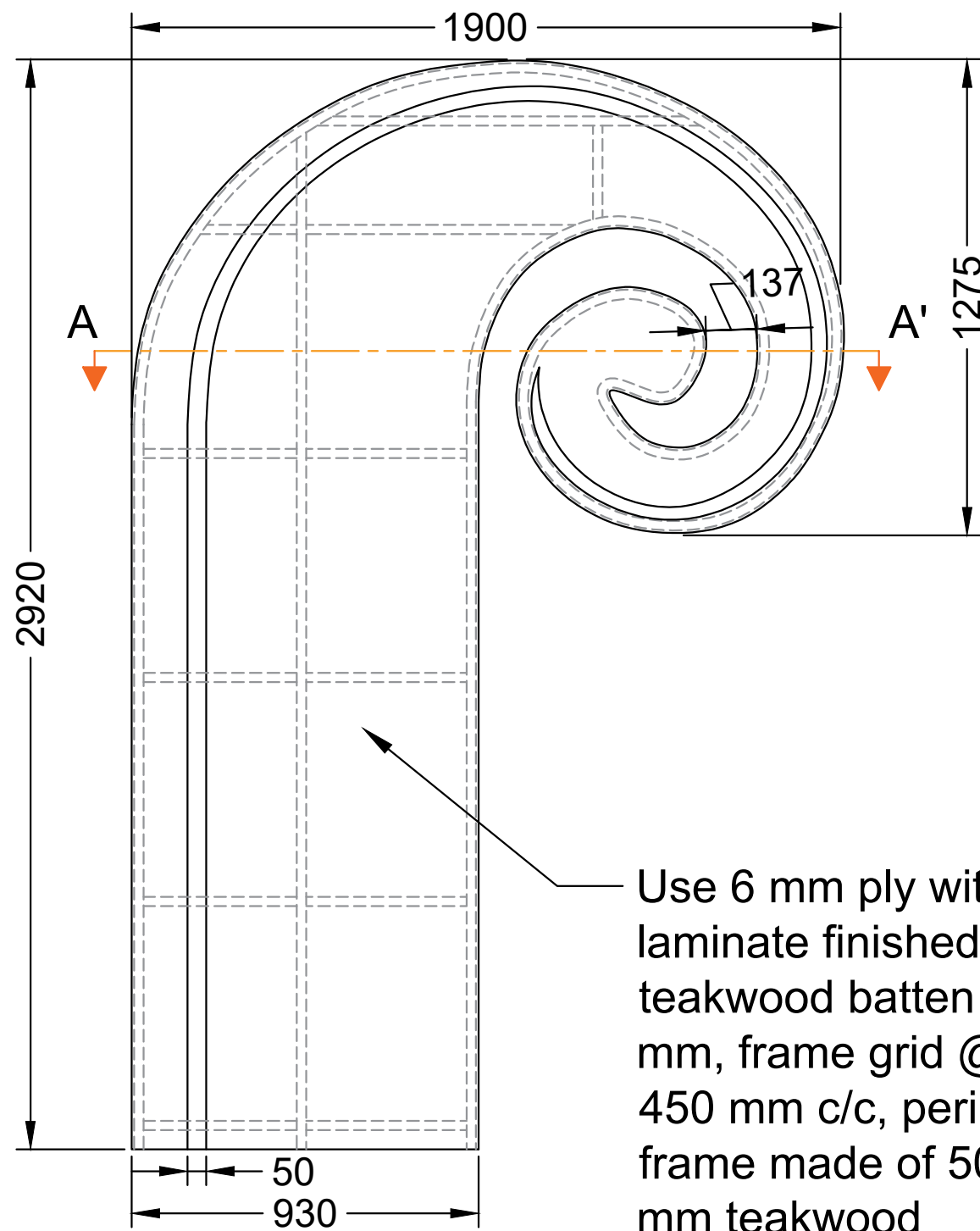


Use 6 mm ply with 1 mm laminate finished(both sides) on teakwood batten 25 x 50 mm, frame grid @450 x 450 mm c/c, peripheral frame made of 50 x 50 mm teakwood

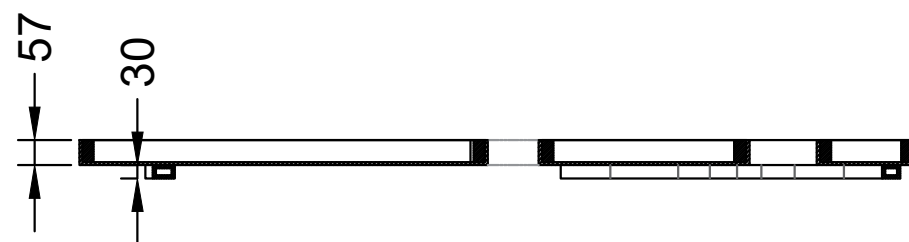


PART - A (DETAILS)

REGIONAL SCIENCE CENTER GUWAHATI		
Gallery: Indian Traditional Medicines in NE Region		
Section:- Special Categories of Traditional Medicinal Plants		
DRG. NO. RSCG/ITM-NER- 4.2	DATE 22/08/2023	SCALE Not to scale
TITLE:- Edible Medicinal Plants and Fruits		SHEET NO. 02 OF 06
DRN. BY Muktada	CKD. BY Samant Kumar Singh(Cr)	APPRD. BY Sujay Majumder(PC)

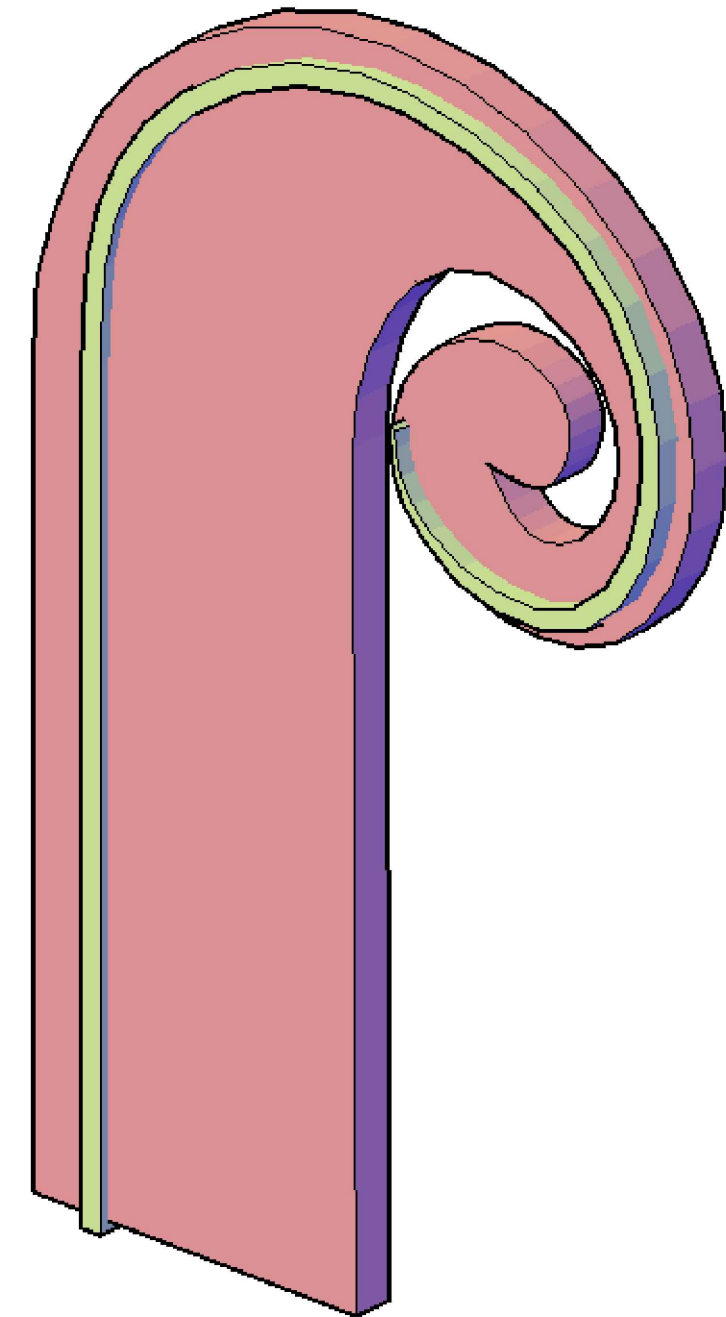


FRONT VIEW



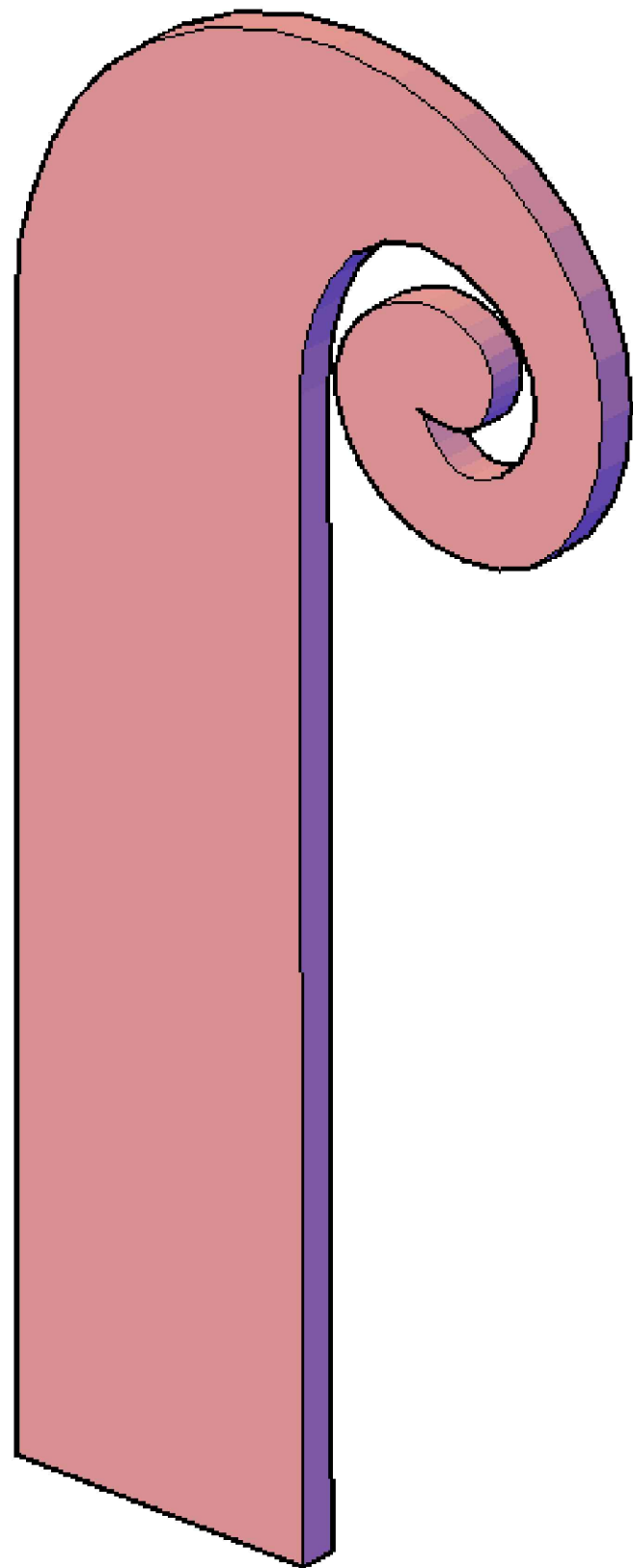
SECTION -AA'

Use 6 mm ply with 1 mm laminate finished on teakwood batten 25 x 50 mm, frame grid @450 x 450 mm c/c, peripheral frame made of 50 x 50 mm teakwood

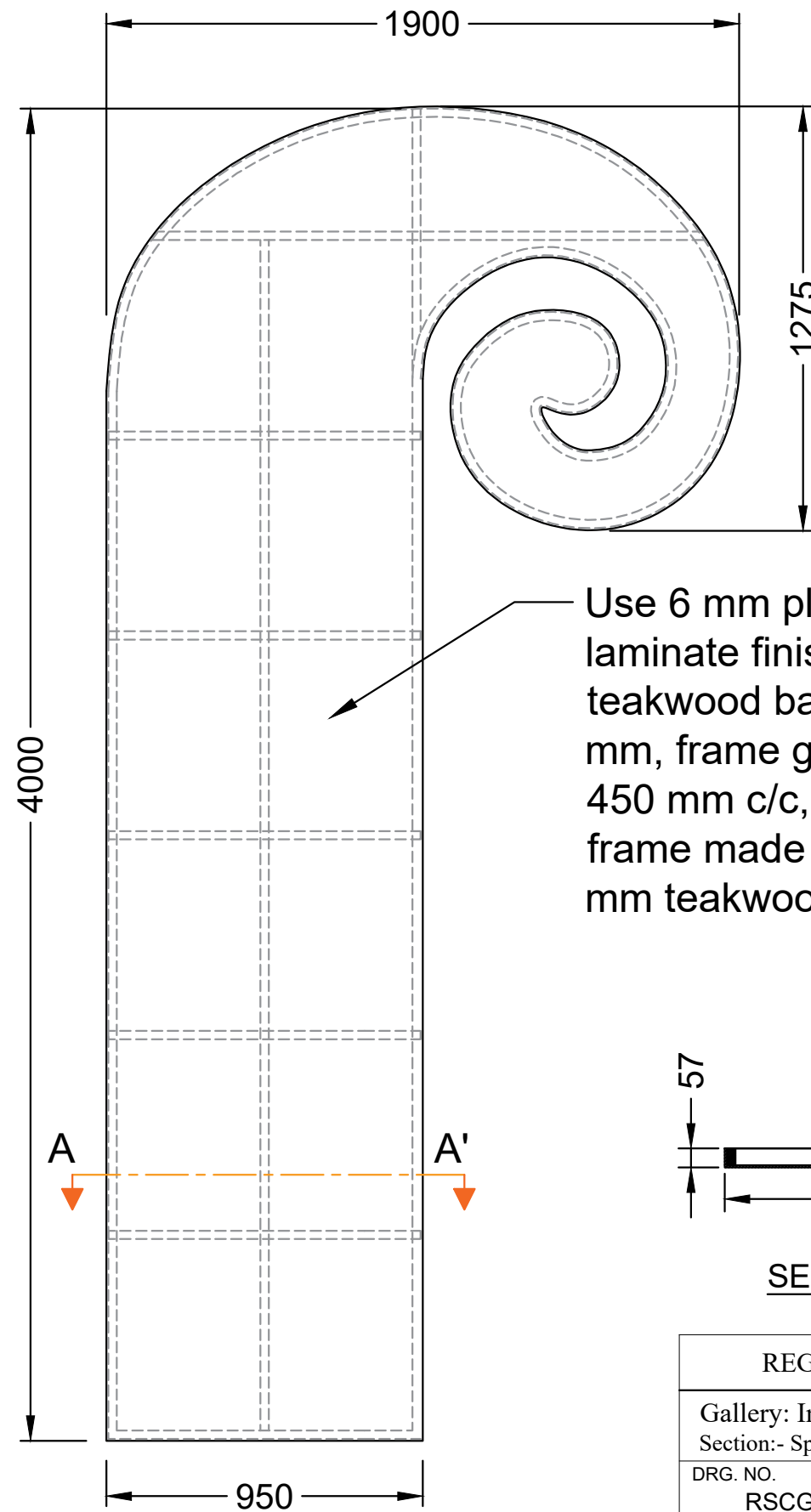


PART - B (DETAILS)

REGIONAL SCIENCE CENTER GUWAHATI		
Gallery: Indian Traditional Medicines in NE Region Section:- Special Categories of Traditional Medicinal Plants		
DRG. NO. RSCG/ITM-NER - 4.2	DATE 22/08/2023	SCALE Not to scale
TITLE:- Edible Medicinal Plants and Fruits		SHEET NO. 03 OF 06
DRN. BY Muktada	CKD. BY Samant Kumar Singh(Cr)	APPRD. BY Sujay Majumder(PC)

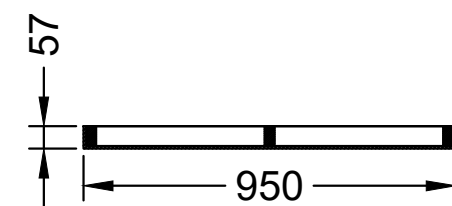


PART - C (DETAILS)



FRONT VIEW

Use 6 mm ply with 1 mm laminate finished on teakwood batten 25 x 50 mm, frame grid @450 x 450 mm c/c, peripheral frame made of 50 x 50 mm teakwood

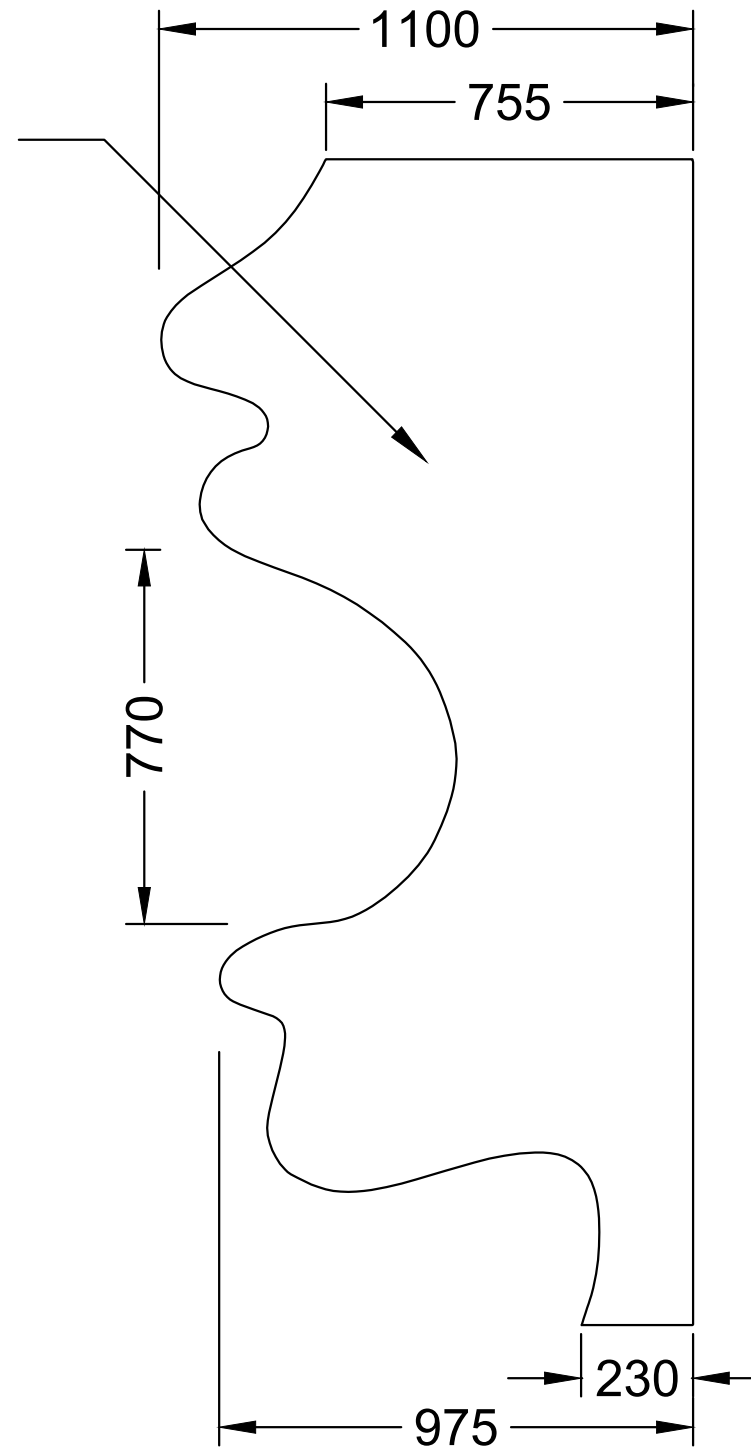


SECTION -AA'

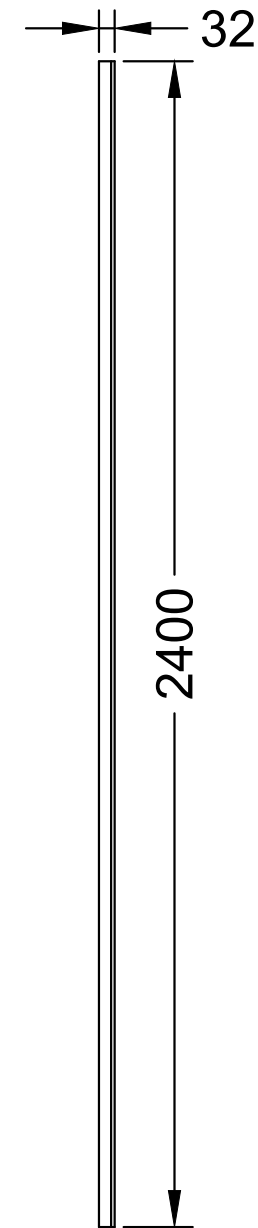
REGIONAL SCIENCE CENTER GUWAHATI		
Gallery: Indian Traditional Medicines in NE Region Section:- Special Categories of Traditional Medicinal Plants		
DRG. NO. RSCG/ITM-NER - 4.2	DATE 22/08/2023	SCALE Not to scale
TITLE:- Edible Medicinal Plants and Fruits		SHEET NO. 04 OF 06
DRN. BY Muktada	CKD. BY Samant Kumar Singh(Cr)	APPRD. BY Sujay Majumder(PC)

PART - D (DETAILS)

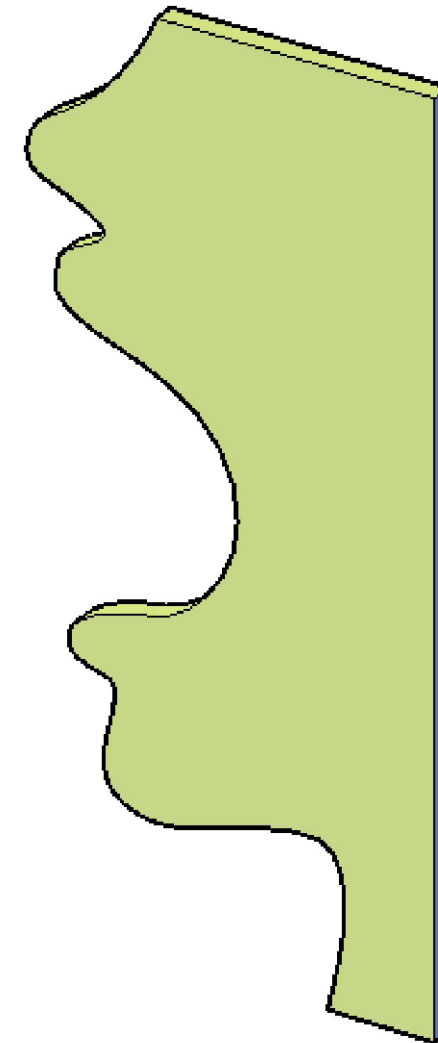
Use 6 mm ply with 1 mm laminate finished on teakwood batten 25 x 50 mm, frame grid @450 x 450 mm c/c, peripheral frame made of 50 x 50 mm teakwood



FRONT VIEW



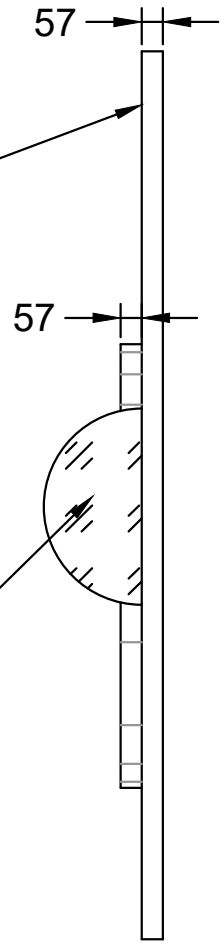
SIDE VIEW



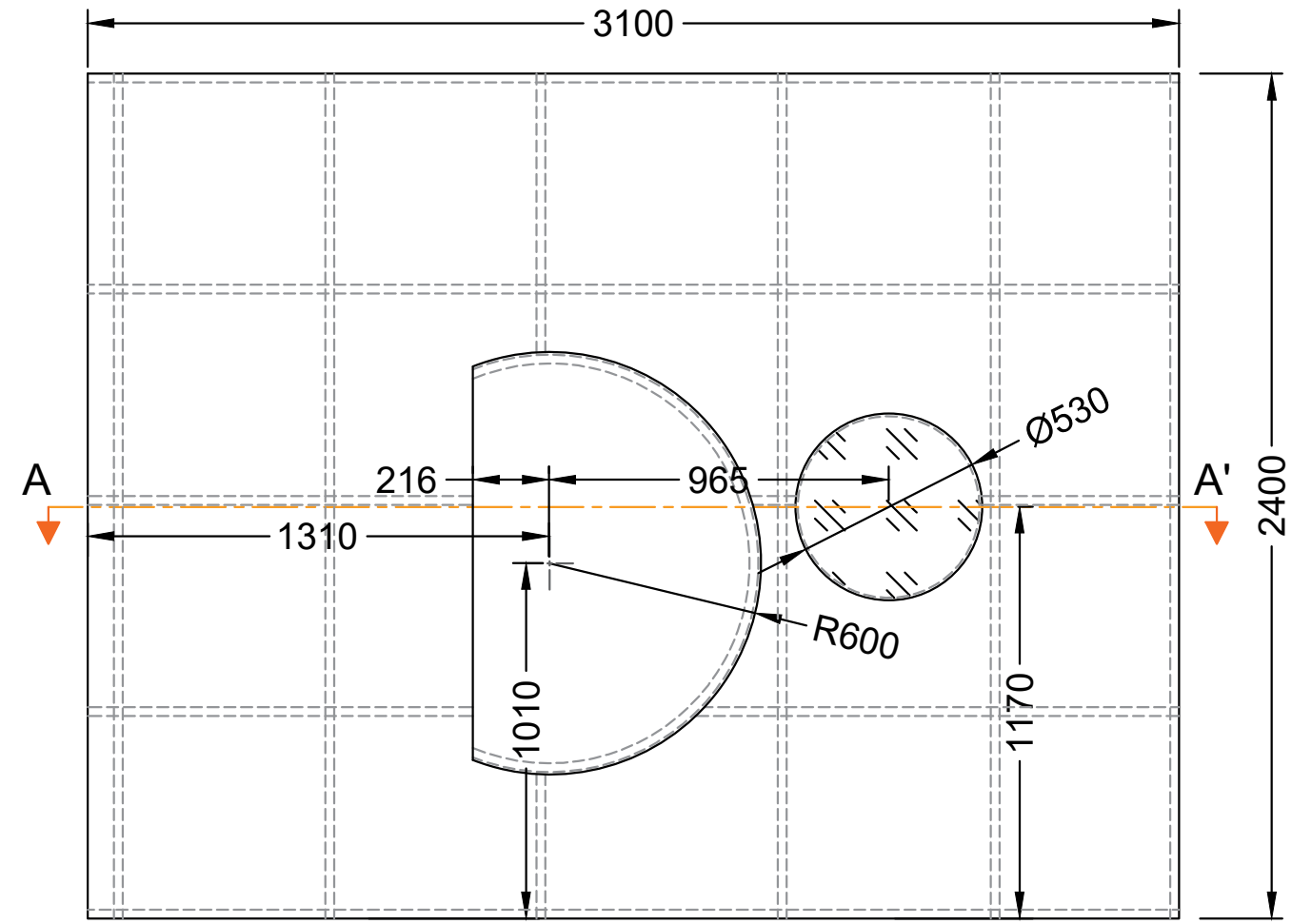
REGIONAL SCIENCE CENTER GUWAHATI		
Gallery: Indian Traditional Medicines in NE Region Section:- Special Categories of Traditional Medicinal Plants		
DRG. NO. RSCG/ITM-NER - 4.2	DATE 22/08/2023	SCALE Not to scale
TITLE:- Edible Medicinal Plants and Fruits		SHEET NO. 05 OF 06
DRN. BY Muktada	CKD. BY Samant Kumar Singh(Cr)	APPRD. BY Sujay Majumder(PC)

Use 6 mm ply with 1 mm laminate finished on teakwood batten 25 x 50 mm, frame grid @450 x 450 mm c/c, peripheral frame made of 50 x 50 mm teakwood

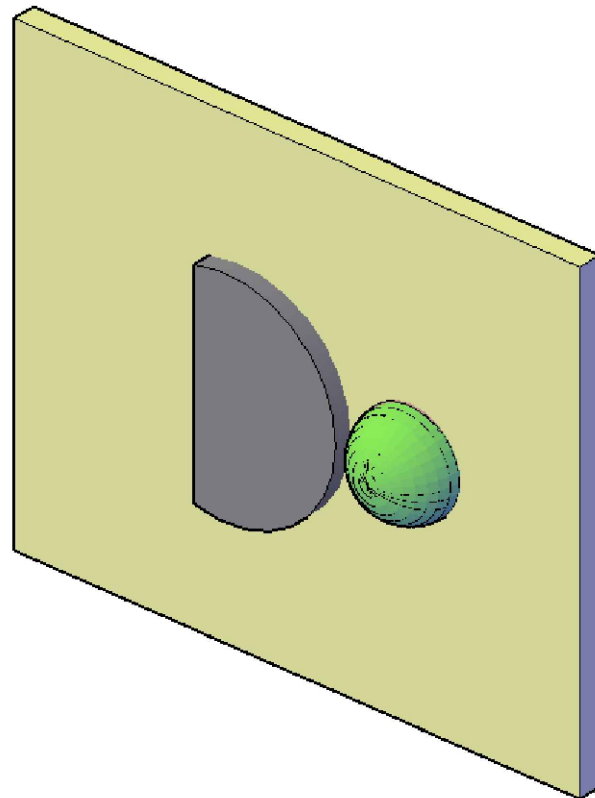
3 mm thick clear acrylic dome fixed with main panel (Dome Ø 600 mm)



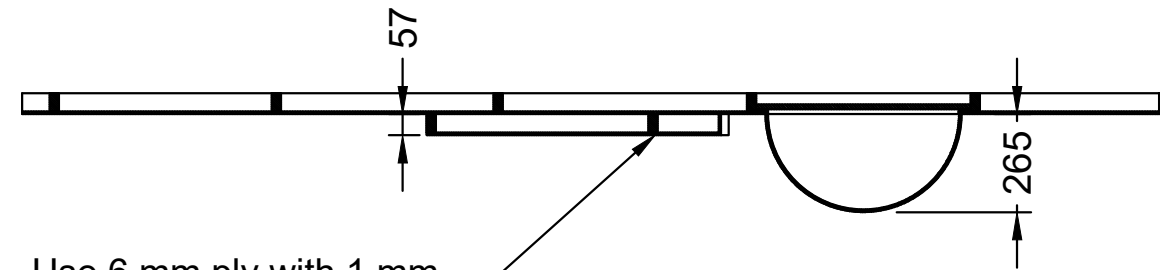
SIDE VIEW



FRONT VIEW



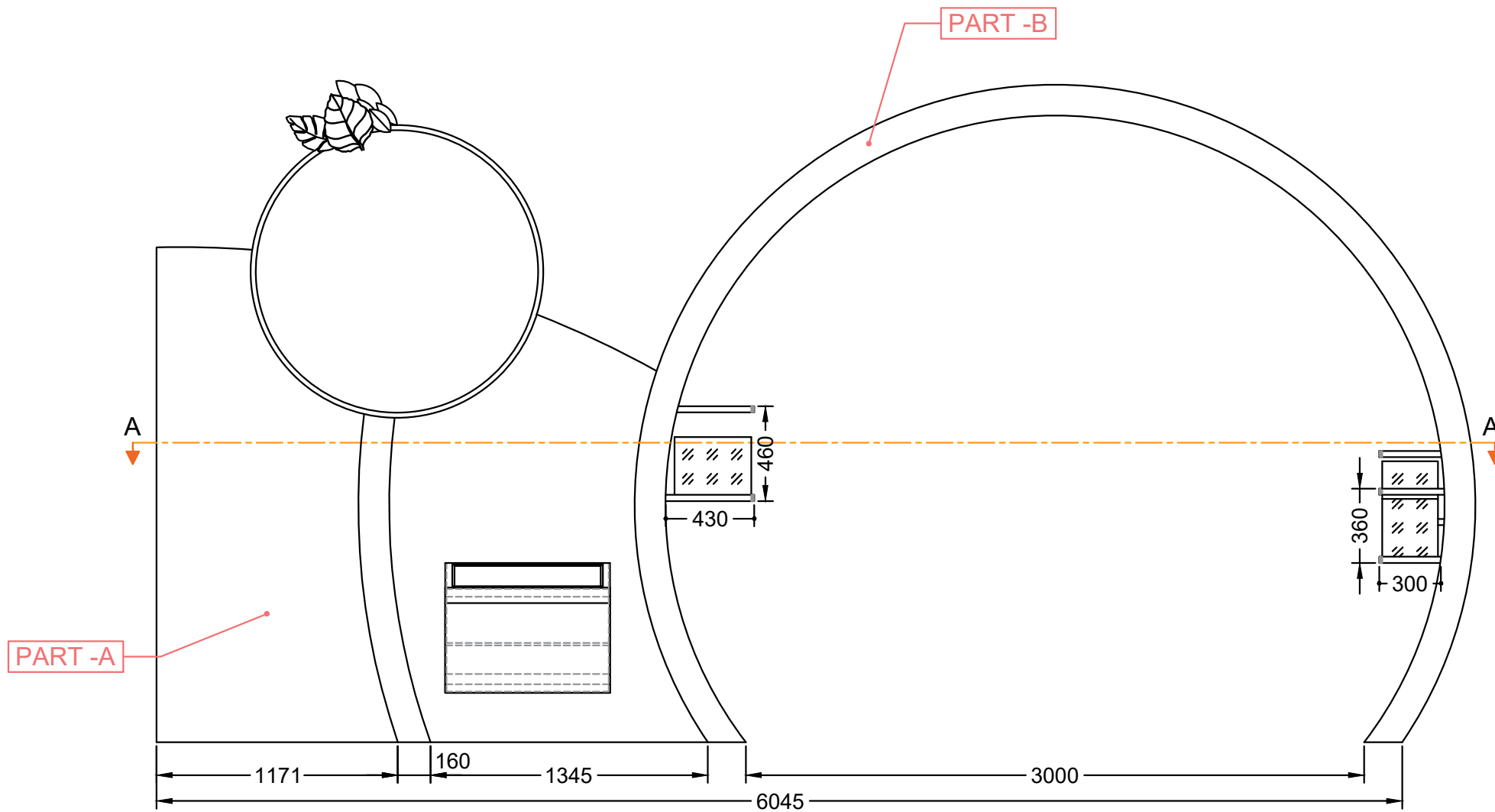
PART - E (DETAILS)



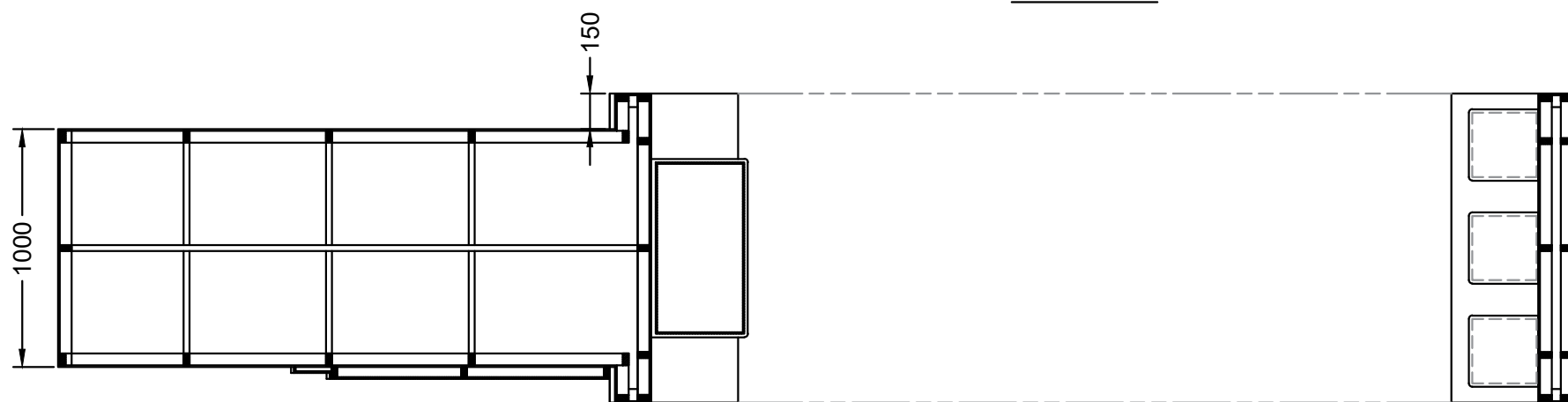
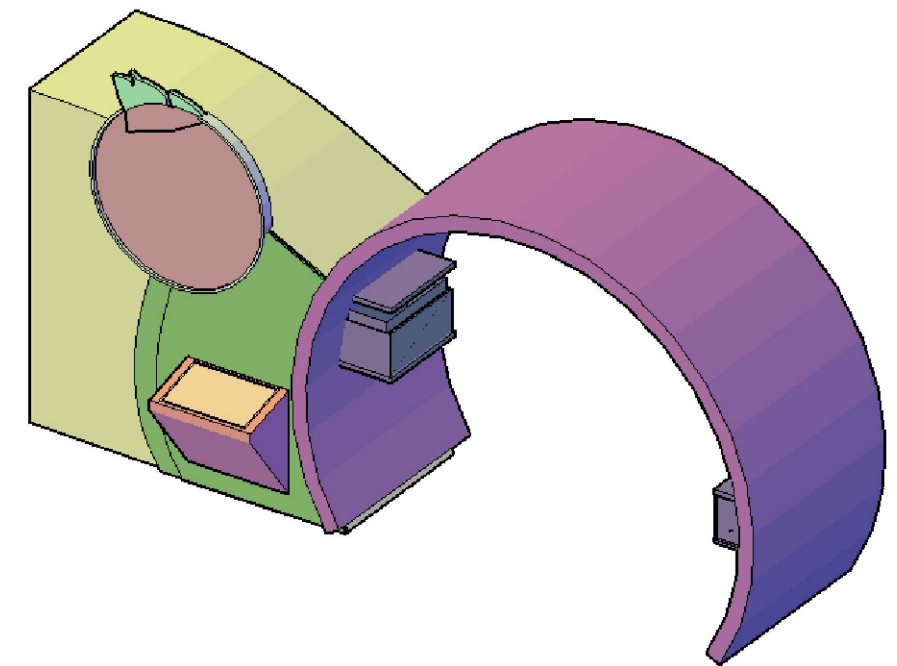
SECTION -AA'

Use 6 mm ply with 1 mm laminate finished on teakwood batten 25 x 50 mm, frame grid @450 x 450 mm c/c

REGIONAL SCIENCE CENTER GUWAHATI		
Gallery: Indian Traditional Medicines in NE Region		
Section:- Special Categories of Traditional Medicinal Plants		
DRG. NO. RSCG/ITM-NER - 4.2	DATE 22/08/2023	SCALE Not to scale
TITLE:- Edible Medicinal Plants and Fruits		SHEET NO. 06 OF 06
DRN. BY Muktada	CKD. BY Samant Kumar Singh(Cr)	APPRD. BY Sujay Majumder(PC)



FRONT VIEW



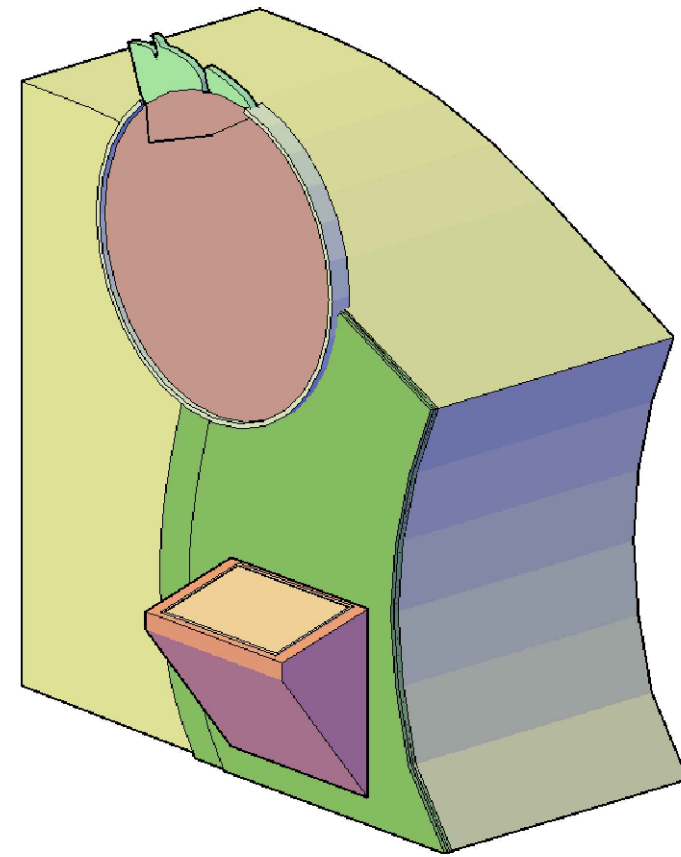
SECTION -AA'

GENERAL ARRANGEMENT OF PARTS

REGIONAL SCIENCE CENTER GUWAHATI

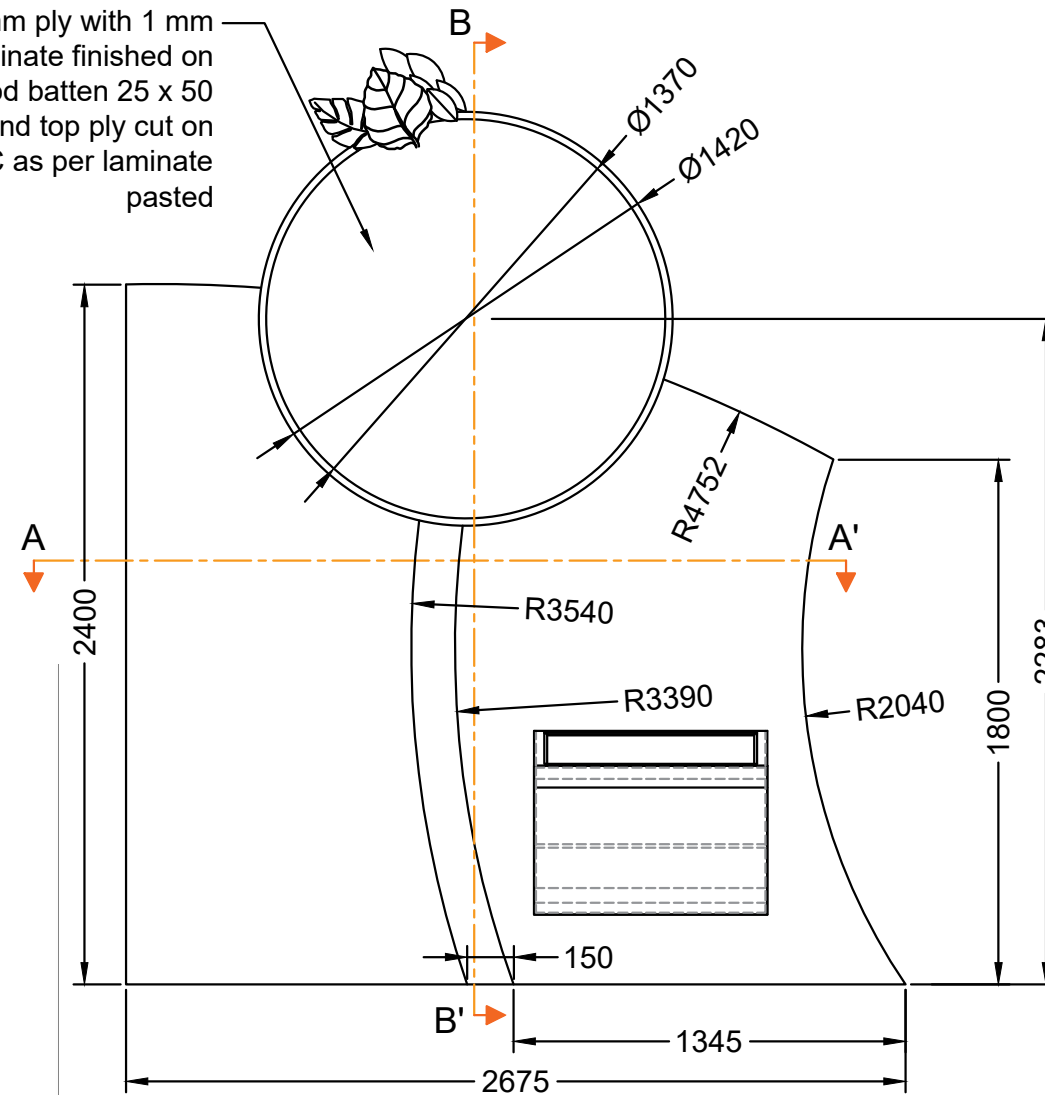
Gallery: Indian Traditional Medicines in NE Region
Section:- Special Categories of Traditional Medicinal Plants

DRG. NO. RSCG/ITM-NER - 4.3,4.4 & 4.5	DATE 22/08/2023	SCALE Not to scale
TITLE:- Medicinal Plants for Skin Care, Aquatic Medicinal Plants & Ornamental Medicinal Plants		SHEET NO. 01 OF 06
DRN. BY Muktada	CKD. BY Samant Kumar Singh(Cr)	APPRD. BY Sujay Majumder(PC)

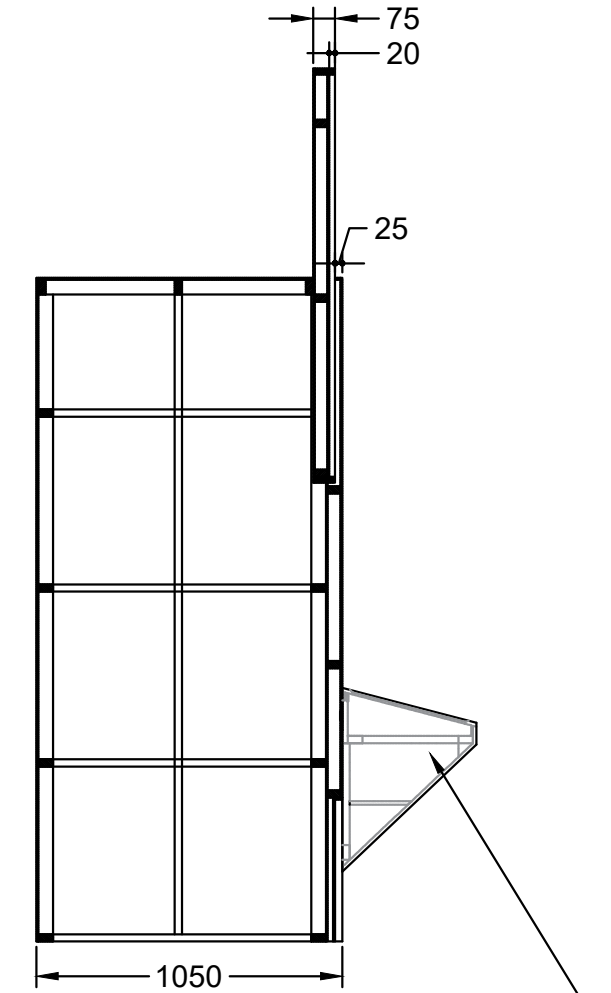


PART - A (DETAILS)

Use 6 mm ply with 1 mm laminate finished on teakwood batten 25 x 50 mm and top ply cut on CNC as per laminate pasted

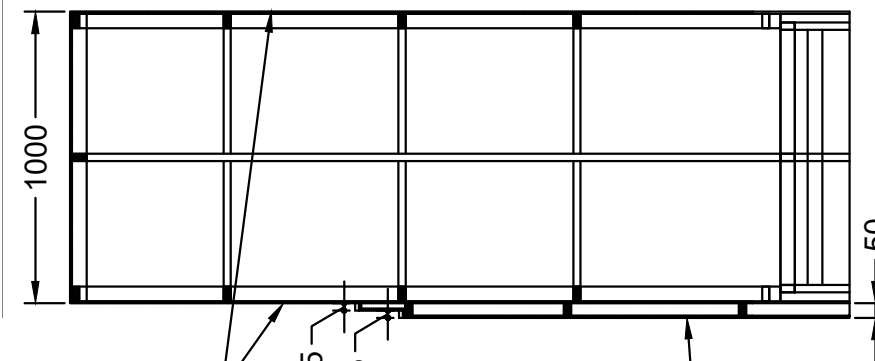


FRONT VIEW



SECTION -BB'

For part details follow the DRG.No. RSCG/ITM-NER - 4.4 & 4.5 (05 & 06 of 06)



SECTION -AA'

Use 6 mm ply with 1 mm laminate finished on teakwood batten 25 x 50 mm, frame grid @450 x 450 mm c/c, peripheral frame made of 50 x 50 mm teakwood

Use 12 mm ply with 1 mm laminate finished on teakwood batten 25 x 50 mm

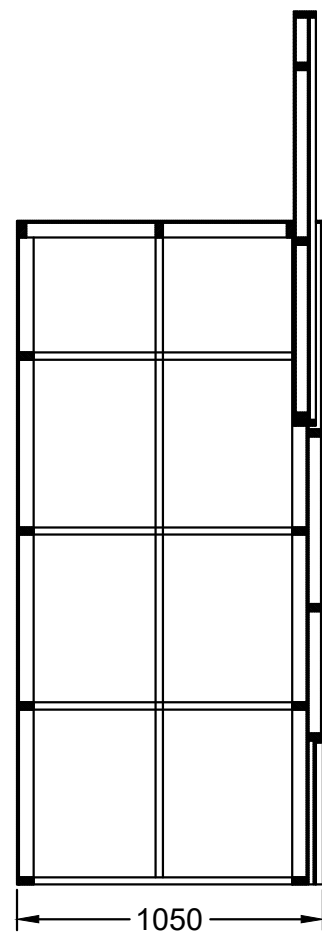
REGIONAL SCIENCE CENTER GUWAHATI

Gallery: Indian Traditional Medicines in NE Region
Section:- Special Categories of Traditional Medicinal Plants

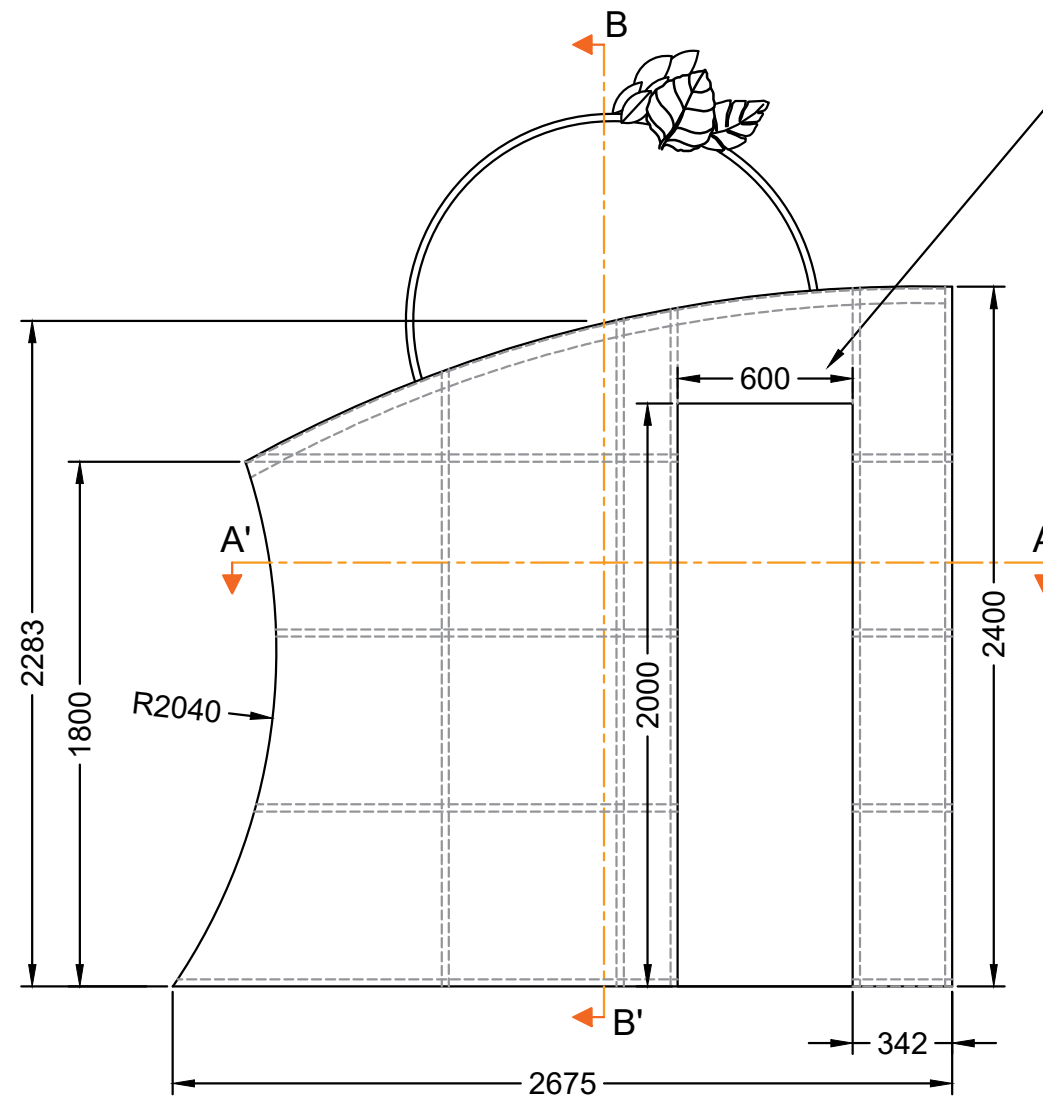
DRG. NO. RSCG/ITM-NER- 4.3	DATE 22/08/2023	SCALE Not to scale
-------------------------------	--------------------	-----------------------

TITLE:- Medicinal Plants for Skin Care	SHEET NO. 02 OF 06
--	-----------------------

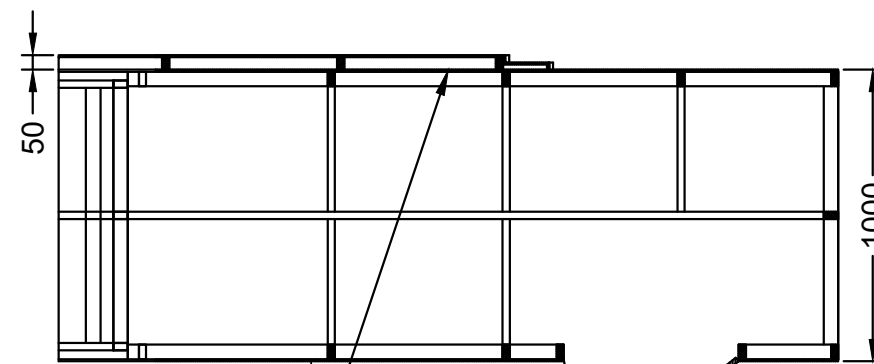
DRN. BY Muktada	CKD. BY Samant Kumar Singh(Cr)	APPRD. BY Sujay Majumder(PC)
--------------------	-----------------------------------	---------------------------------



SECTION - BB'



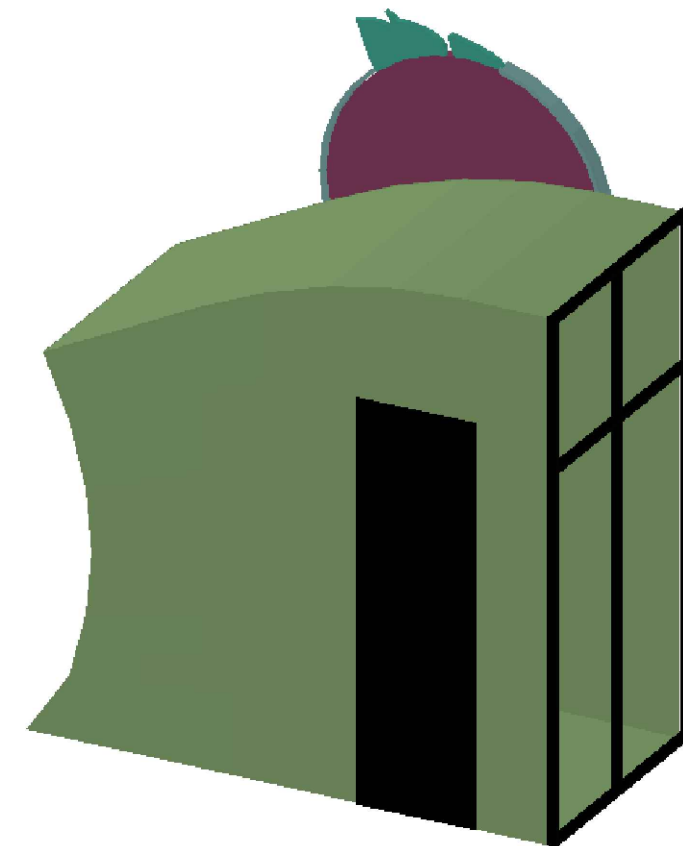
FRONT VIEW



SECTION - AA'

Use 6 mm ply with 1 mm laminate finished on teakwood batten 25 x 50 mm, frame grid @450 x 450 mm c/c

Door for maintenance 600 x 2000 mm, Use 16 mm block board with 1 mm laminate finished with (Allen key locking arrangement)



PART - A (DETAILS)
BACK SIDE

REGIONAL SCIENCE CENTER GUWAHATI

Gallery: Indian Traditional Medicines in NE Region
Section:- Special Categories of Traditional Medicinal Plants

DRG. NO. RSCG/ITM-NER - 4.3	DATE 22/08/2023	SCALE Not to scale
--------------------------------	--------------------	-----------------------

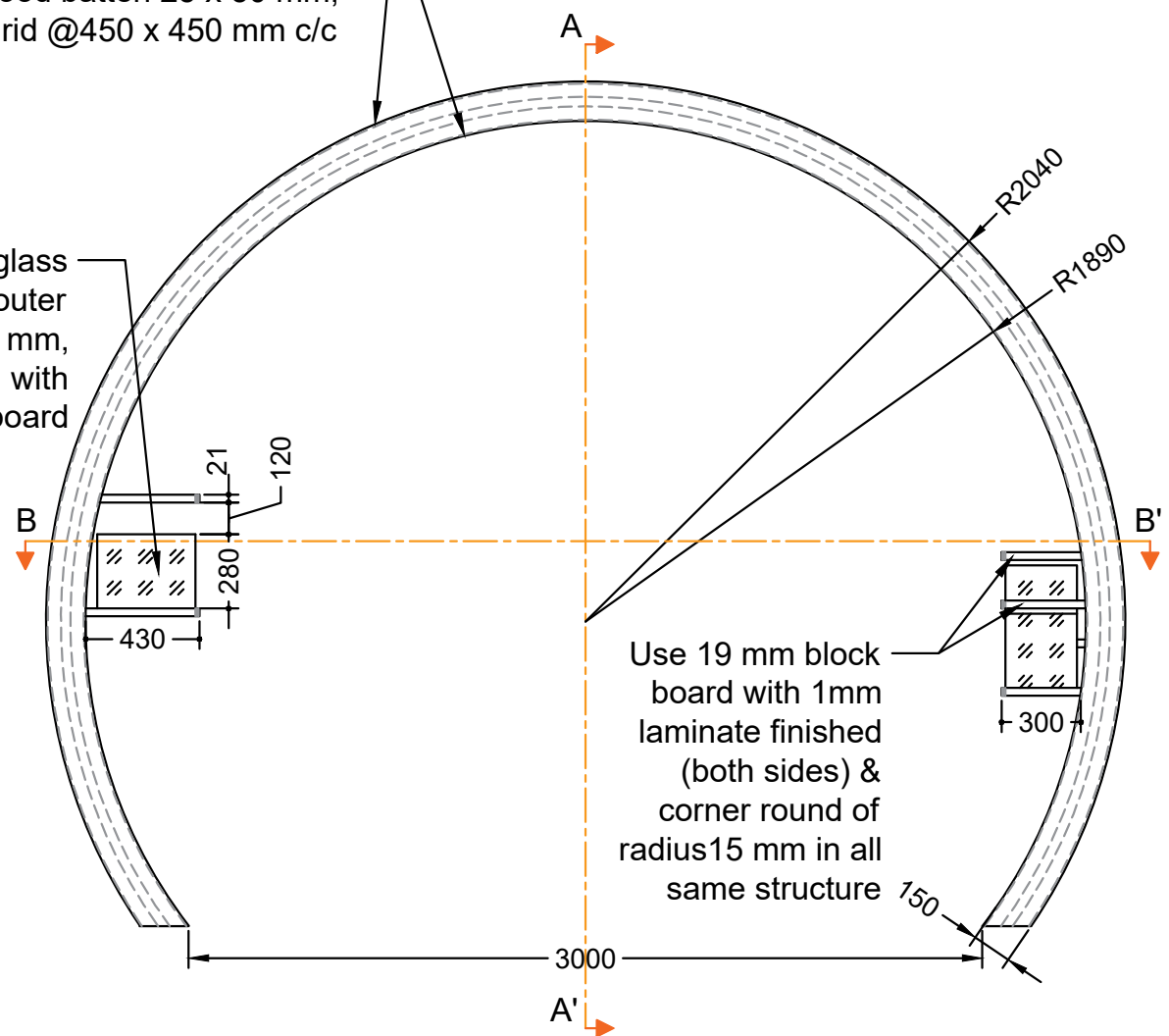
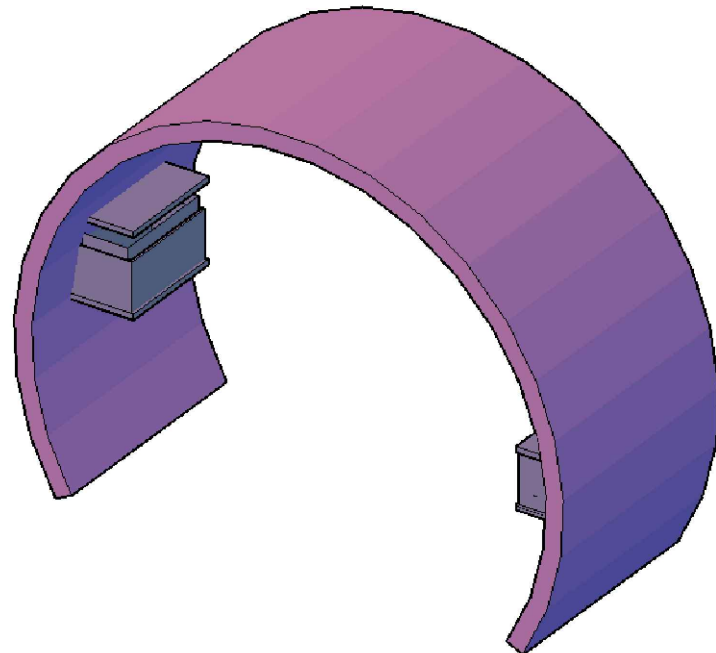
TITLE:- Medicinal Plants for Skin Care	SHEET NO. 03 OF 06
--	-----------------------

DRN. BY Muktada	CKD. BY Samant Kumar Singh(Cr)	APPRD. BY Sujoy Majumder(PC)
--------------------	-----------------------------------	---------------------------------

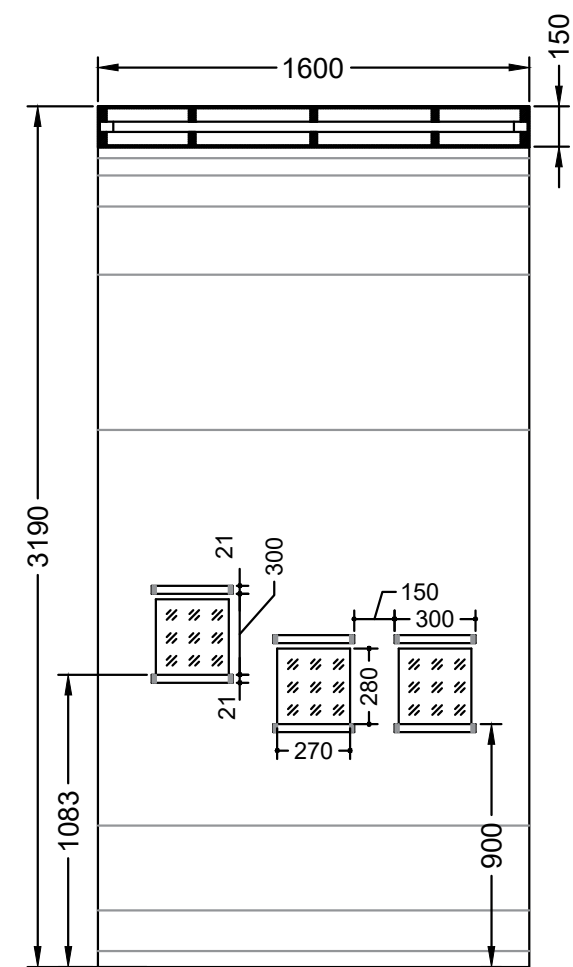
Use 6 mm flexi ply with 1 mm laminate finished(both side) on teakwood batten 25 x 50 mm, frame grid @450 x 450 mm c/c

8 mm clear toughened glass of size 372 x 720 mm outer and height 280 mm, fixed with silicon and fixed with base block board

Use 19 mm block board with 1mm laminate finished (both sides) & corner round of radius 15 mm in all same structure



FRONT VIEW



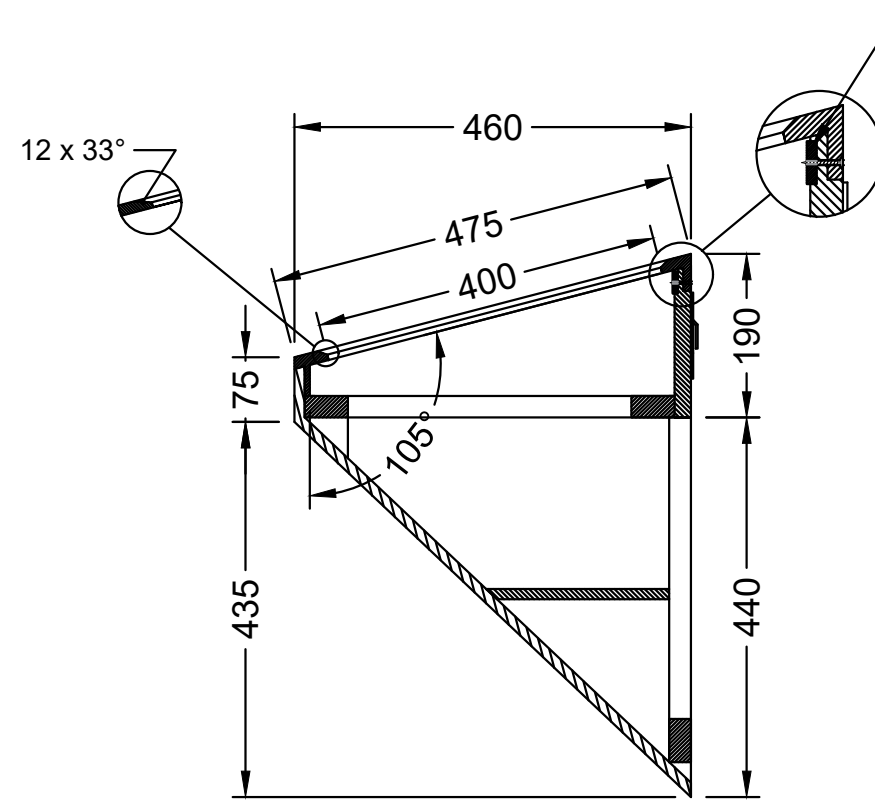
SECTION -AA'



SECTION -BB'

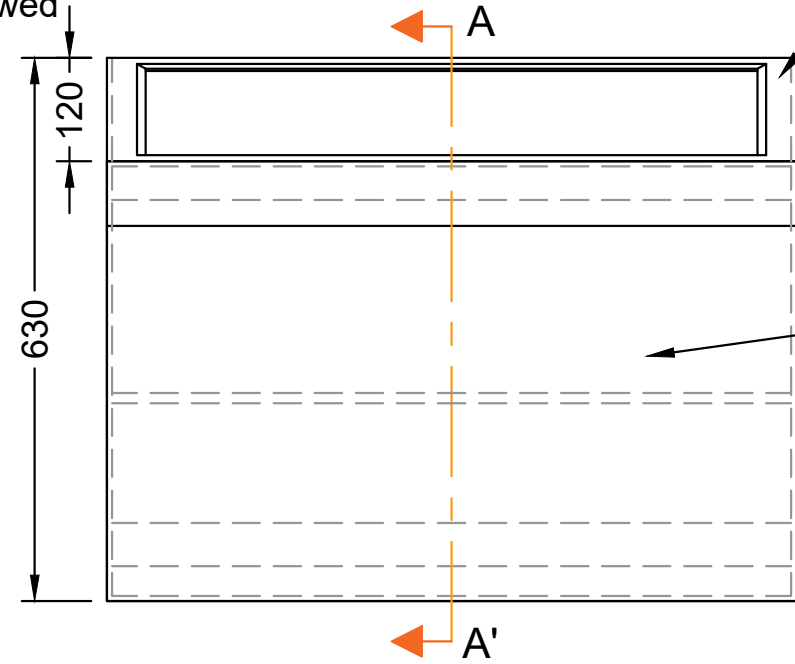
PART - B (DETAILS)

REGIONAL SCIENCE CENTER GUWAHATI		
Gallery: Indian Traditional Medicines in NE Region Section:- Special Categories of Traditional Medicinal Plants		
DRG. NO. RSCG/ITM-NER - 4.4 & 4.5	DATE 22/08/2023	SCALE Not to scale
TITLE:- Aquatic medicinal plants & Ornamental Medicinal Plants		SHEET NO. 04 OF 06
DRN. BY Muktada	CKD. BY Samant Kumar Singh(Cr)	APPRD. BY Sujay Majumder(PC)



SECTION-AA'

M.S Flat of size 25 x 75 mm and 6 mm thick with M6 taped thread and fixed half grooved into ply and screwed

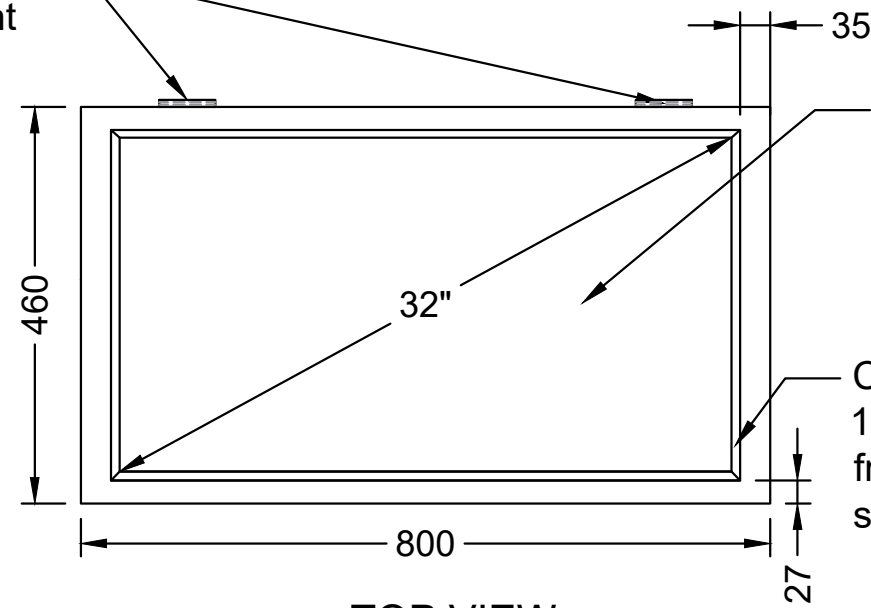


FRONT VIEW

Top cover is portable made of 12 mm ply with 1 mm laminate finished, fix with screw as shown

19 mm block board with 1 mm laminate finished use 25 x 50 mm teakwood battens to frame the structure

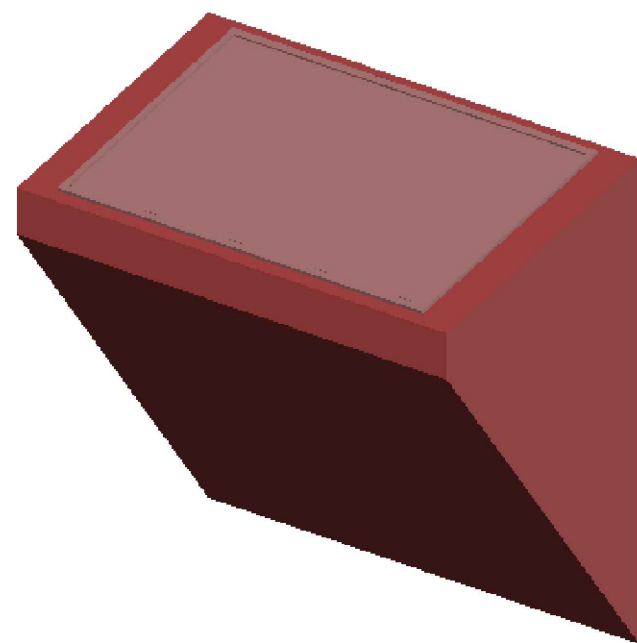
Wall mounted bracket fixing arrangement



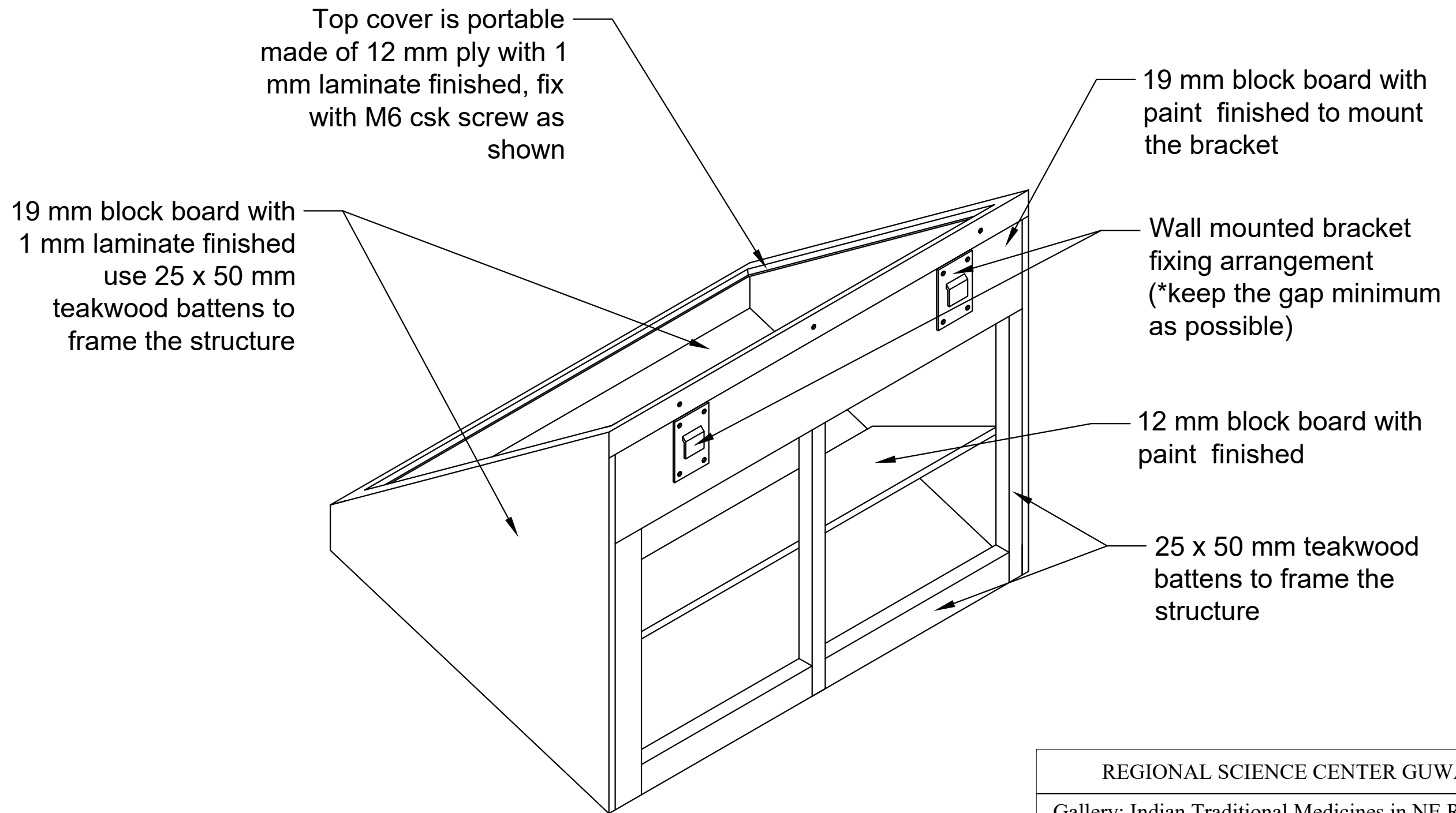
TOP VIEW

400 x 710 mm Cutout (*This cutout size is tentative the actual cutout size to be provided at site)

Chamfer the edge 10 x 17° (after 3 mm offset from the bottom surface)

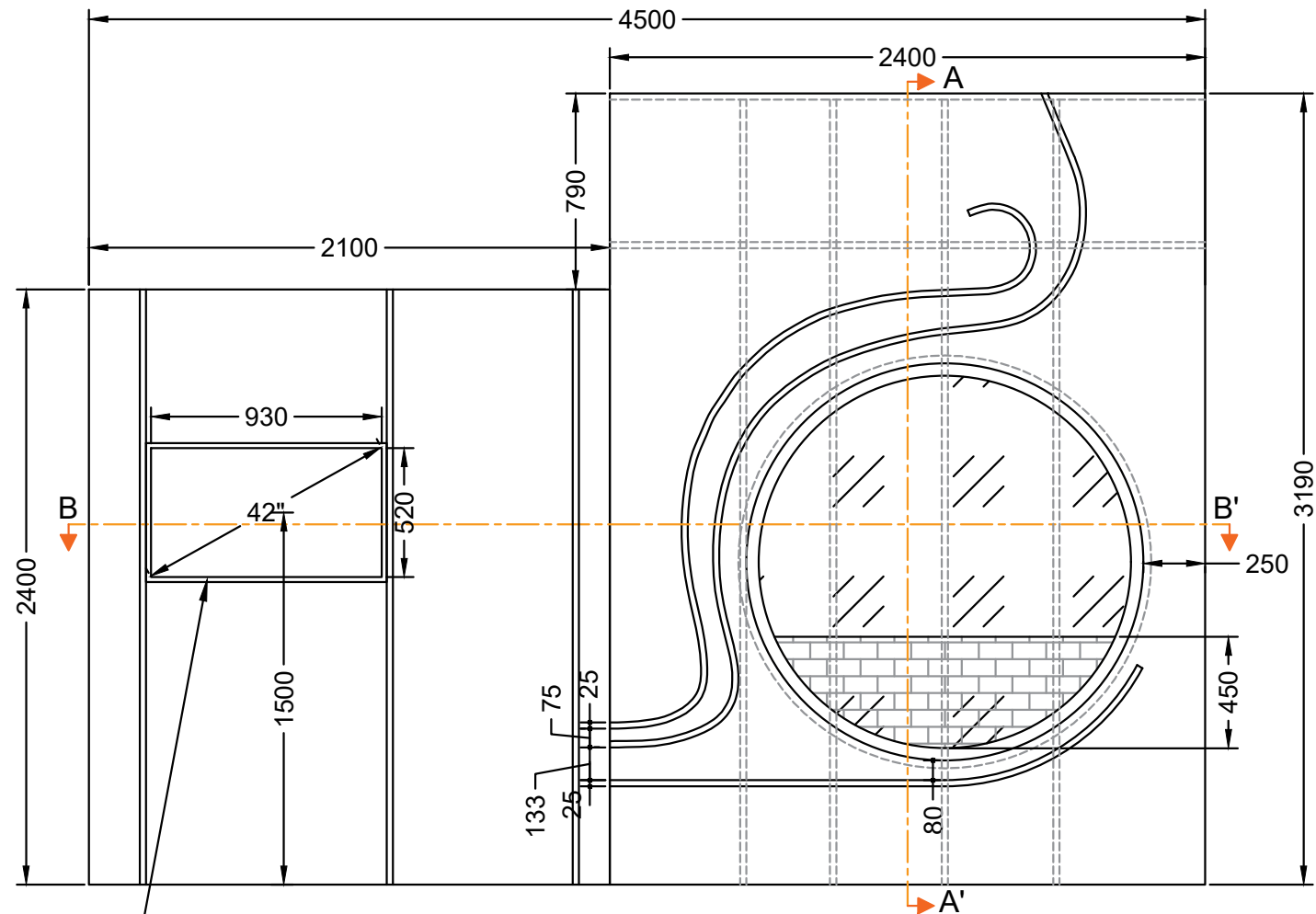


REGIONAL SCIENCE CENTER GUWAHATI		
Gallery: Indian Traditional Medicines in NE Region		
Section:- Special Categories of Traditional Medicinal Plants		
DRG. NO. RSCG/ITM-NER - 4.4 & 4.5	DATE 22/08/2023	SCALE Not to scale
TITLE:- Aquatic medicinal plants & Ornamental Medicinal Plants		SHEET NO. 05 OF 06
DRN. BY Muktada	CKD. BY Samant Kumar Singh(Cr)	APPRD. BY Sujay Majumder(PC)

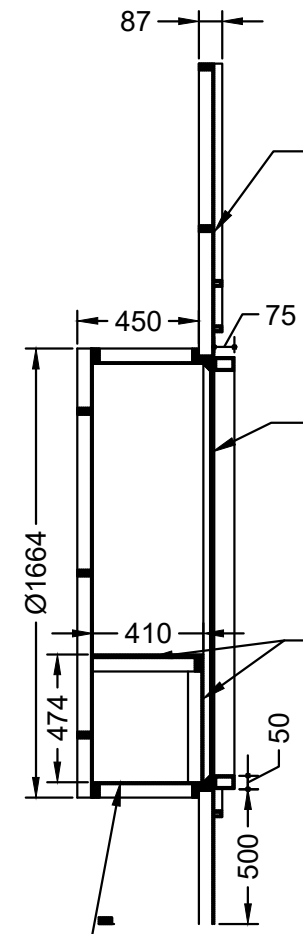


ISOMETRIC VIEW

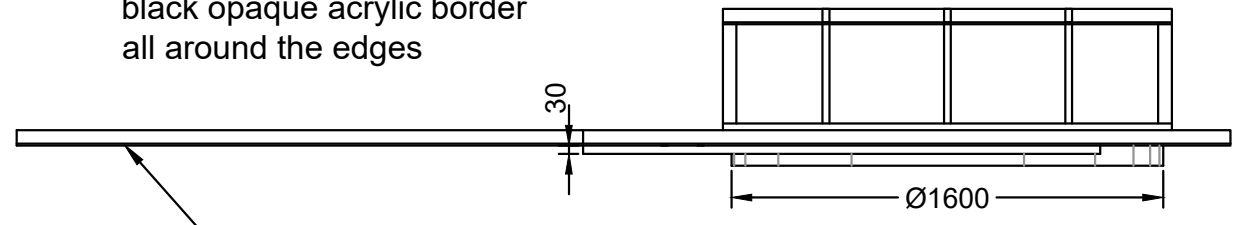
REGIONAL SCIENCE CENTER GUWAHATI		
Gallery: Indian Traditional Medicines in NE Region Section:- Special Categories of Traditional Medicinal Plants		
DRG. NO. RSCG/ITM-NER - 4.4 & 4.5	DATE 22/08/2023	SCALE Not to scale
TITLE:- Aquatic medicinal plants & Ornamental Medicinal Plants		SHEET NO. 06 OF 06
DRN. BY Muktada	CKD. BY Samant Kumar Singh(Cr)	APPRD. BY Sujoy Majumder(PC)



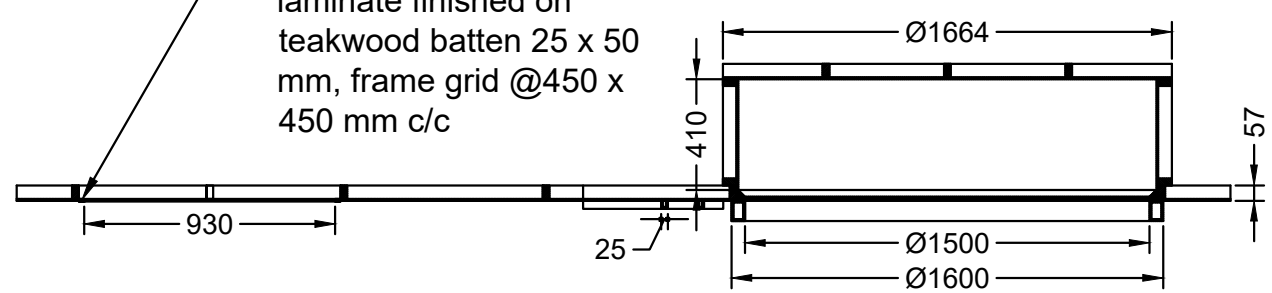
FRONT VIEW



SECTION-AA'



TOP VIEW

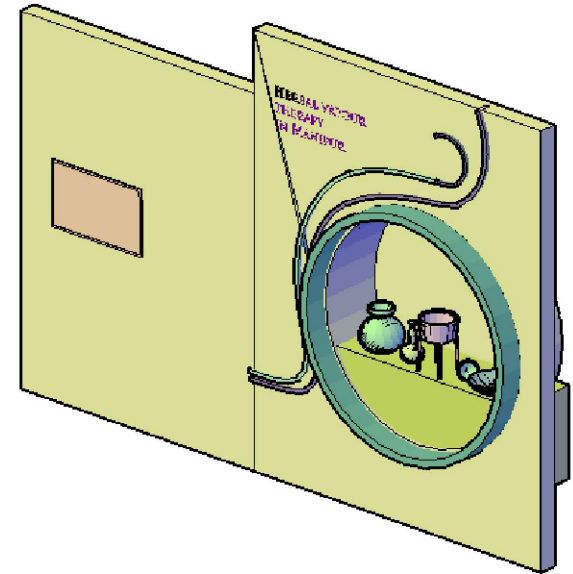


SECTION-BB'

Use 6 mm ply with 1 mm laminate finished on teakwood batten 25 x 50 mm, frame grid @450 x 450 mm c/c, peripheral frame made of 50 x 50 mm teakwood

8 mm clear toughened glass of Ø1550 mm fixed from inside

12 mm ply with texture laminate finished (front and top side)

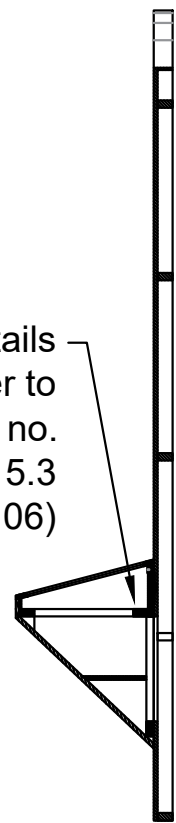


3 mm thick and 20 mm wide black opaque acrylic border all around the edges

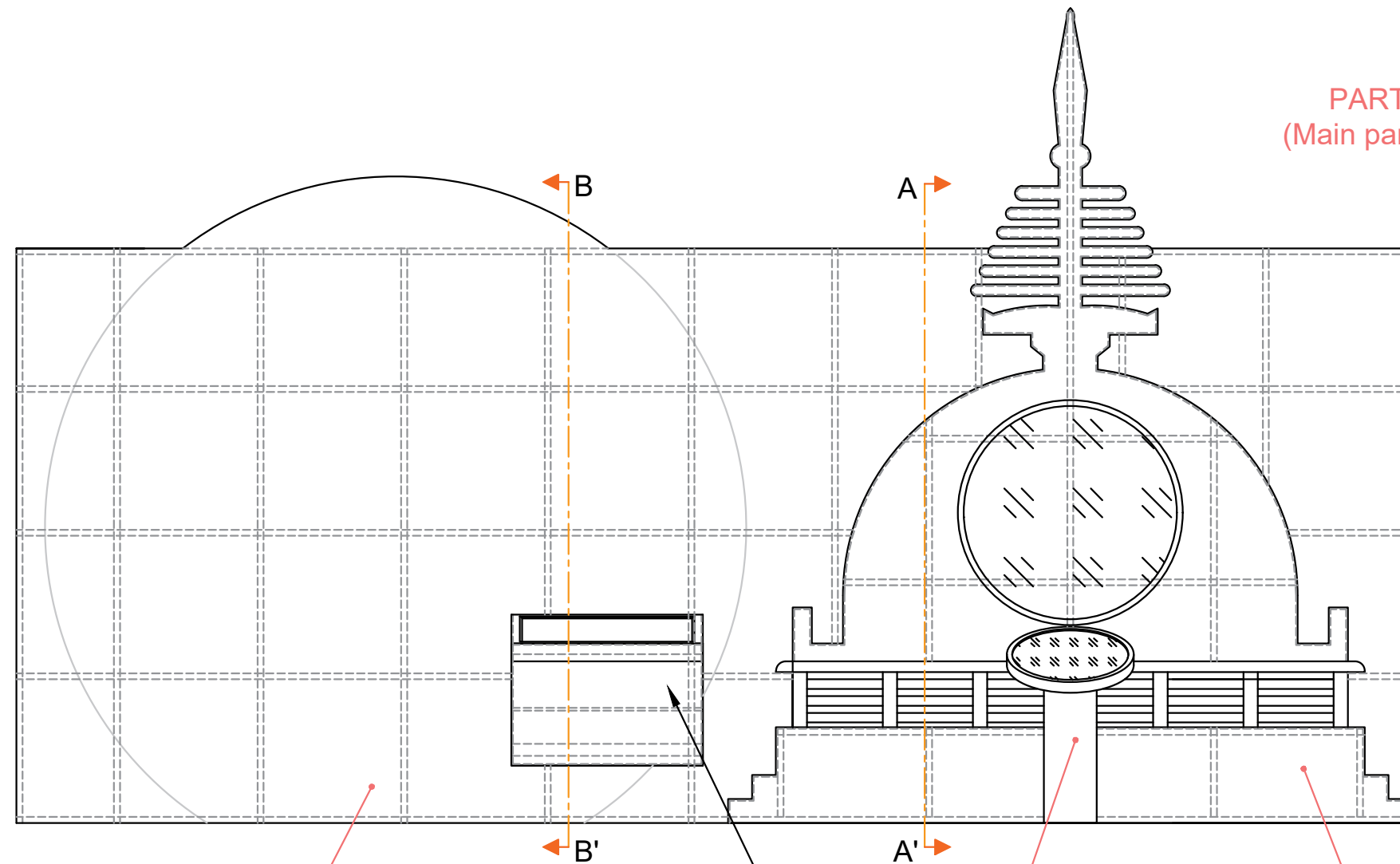
Use 6 mm ply with 1 mm laminate finished on teakwood batten 25 x 50 mm, frame grid @450 x 450 mm c/c

REGIONAL SCIENCE CENTER GUWAHATI		
Gallery: Indian Traditional Medicines in NE Region		
Section:- Traditional Practices with Herbs		
DRG. NO. RSCG/ITM-NER - 5.1 & 5.2	DATE 22/08/2023	SCALE Not to scale
TITLE:- Methods of Preparation & Herbal Vapour Therapy in Manipur		SHEET NO. 01 OF 01
DRN. BY Muktada	CKD. BY Samant Kumar Singh(Cr)	APPRD. BY Sujay Majumder(PC)

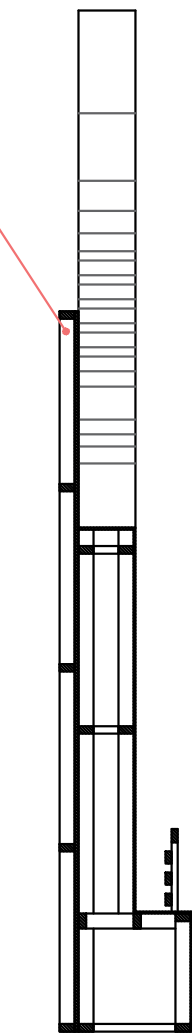
For part details
please refer to
drg. no.
ITM-NER - 5.3
(05 of 06)



SECTION -BB'



PART -A
(Main panel)



SECTION -AA'

PART -A

B'

A'

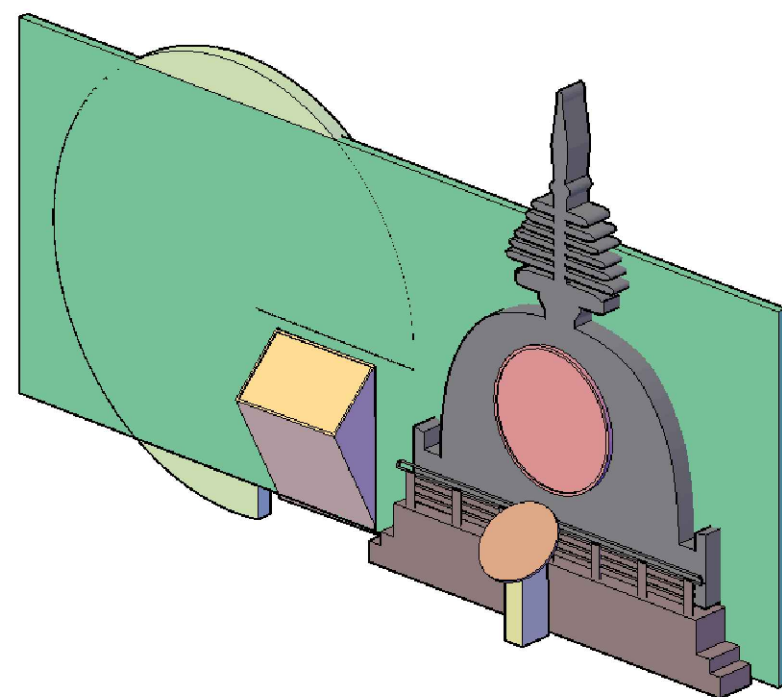
PART -C

PART -B

FRONT VIEW

12 mm ply with 1 mm
laminare finished up to
the height on back panel
where kiosk is to be
mounted

GENERAL ARRENGEMENT OF PARTS



REGIONAL SCIENCE CENTER GUWAHATI

Gallery: Indian Traditional Medicines in NE Region
Section:- Traditional Practices with Herbs

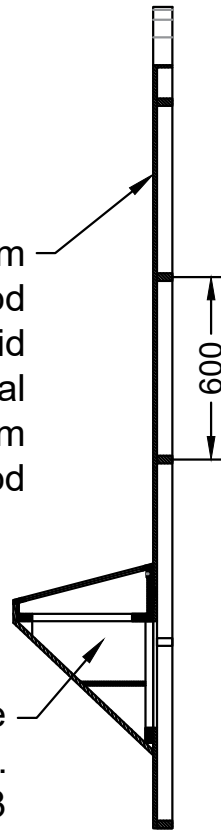
DRG. NO. RSCG/ITM-NER - 5.3 & 5.4	DATE 22/08/2023	SCALE Not to scale
--------------------------------------	--------------------	-----------------------

TITLE:- Folk Medicines of Indigenous People of NE India & Medicines in Buddhist Monasteries	SHEET NO. 01 OF 06
---	-----------------------

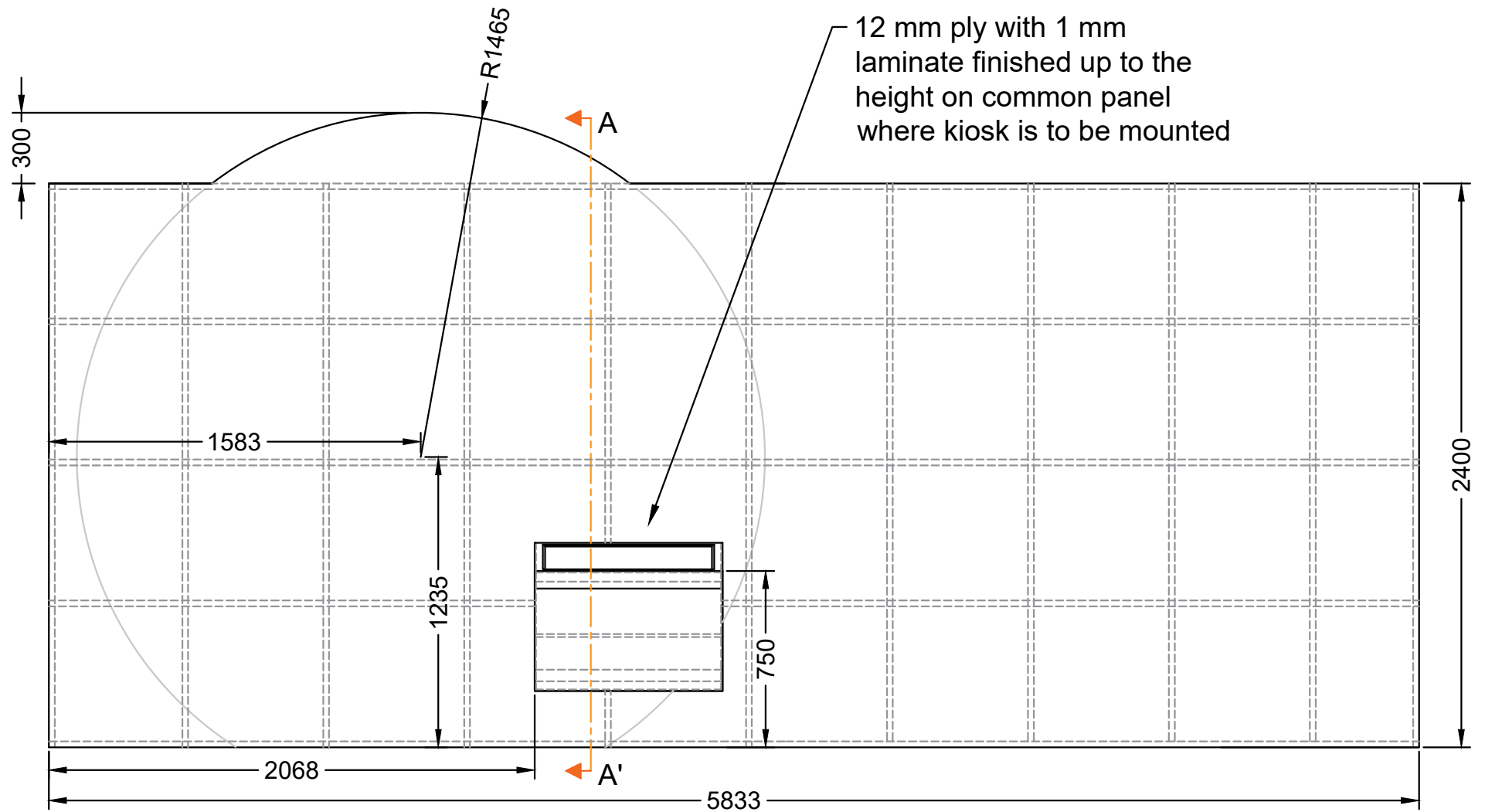
DRN. BY Muktada	CKD. BY Samant Kumar Singh(Cr)	APPRD. BY Sujay Majumder(PC)
--------------------	-----------------------------------	---------------------------------

Use 6 mm ply with 1 mm laminate finished on teakwood batten 25 x 50 mm, frame grid @450 x 450 mm c/c, peripheral frame made of 50 x 50 mm teakwood

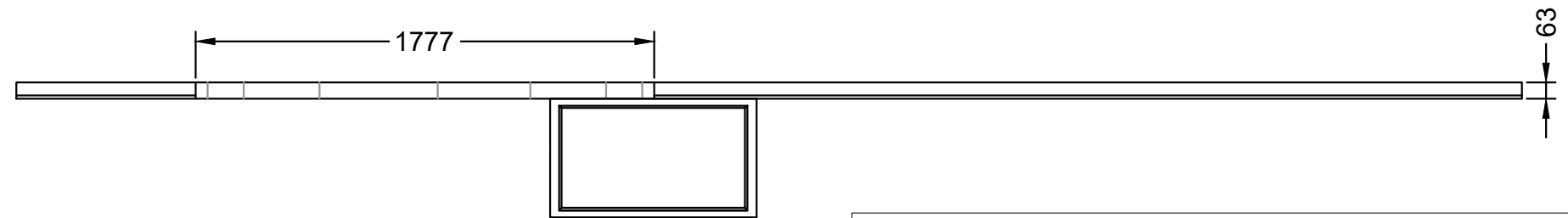
For part details please refer to drg. no. RSCG/ITM-NER - 5.3 (05 of 06)



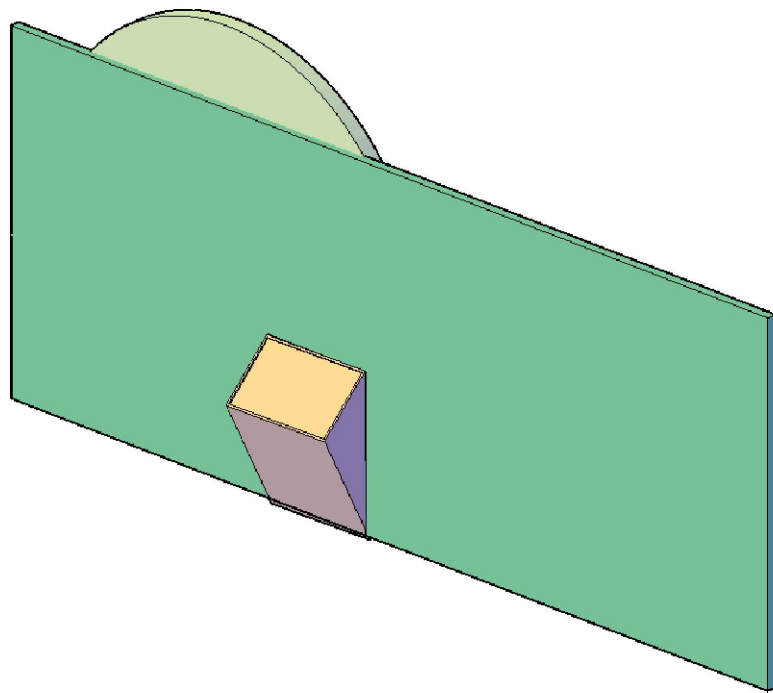
SECTION-AA'



FRONT VIEW



TOP VIEW



PART - A (DETAILS)

12 mm ply with 1 mm laminate finished up to the height on common panel where kiosk is to be mounted

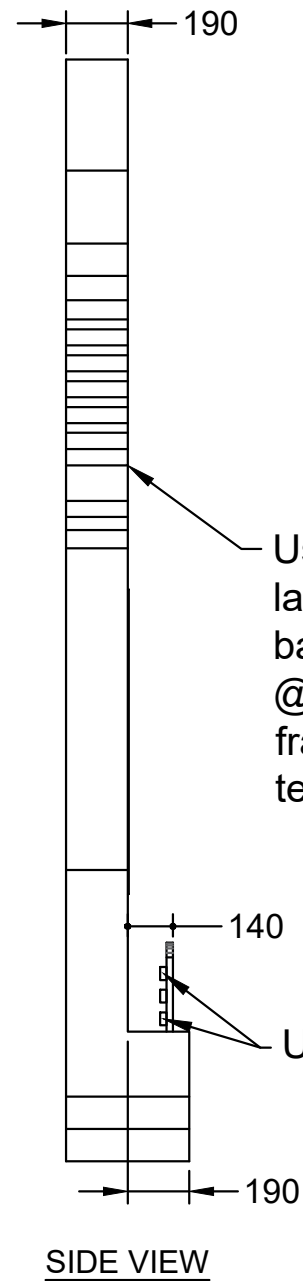
REGIONAL SCIENCE CENTER GUWAHATI

Gallery: Indian Traditional Medicines in NE Region
Section:- Traditional Practices with Herbs

DRG. NO. RSCG/ITM-NER - 5.3	DATE 22/08/2023	SCALE Not to scale
--------------------------------	--------------------	-----------------------

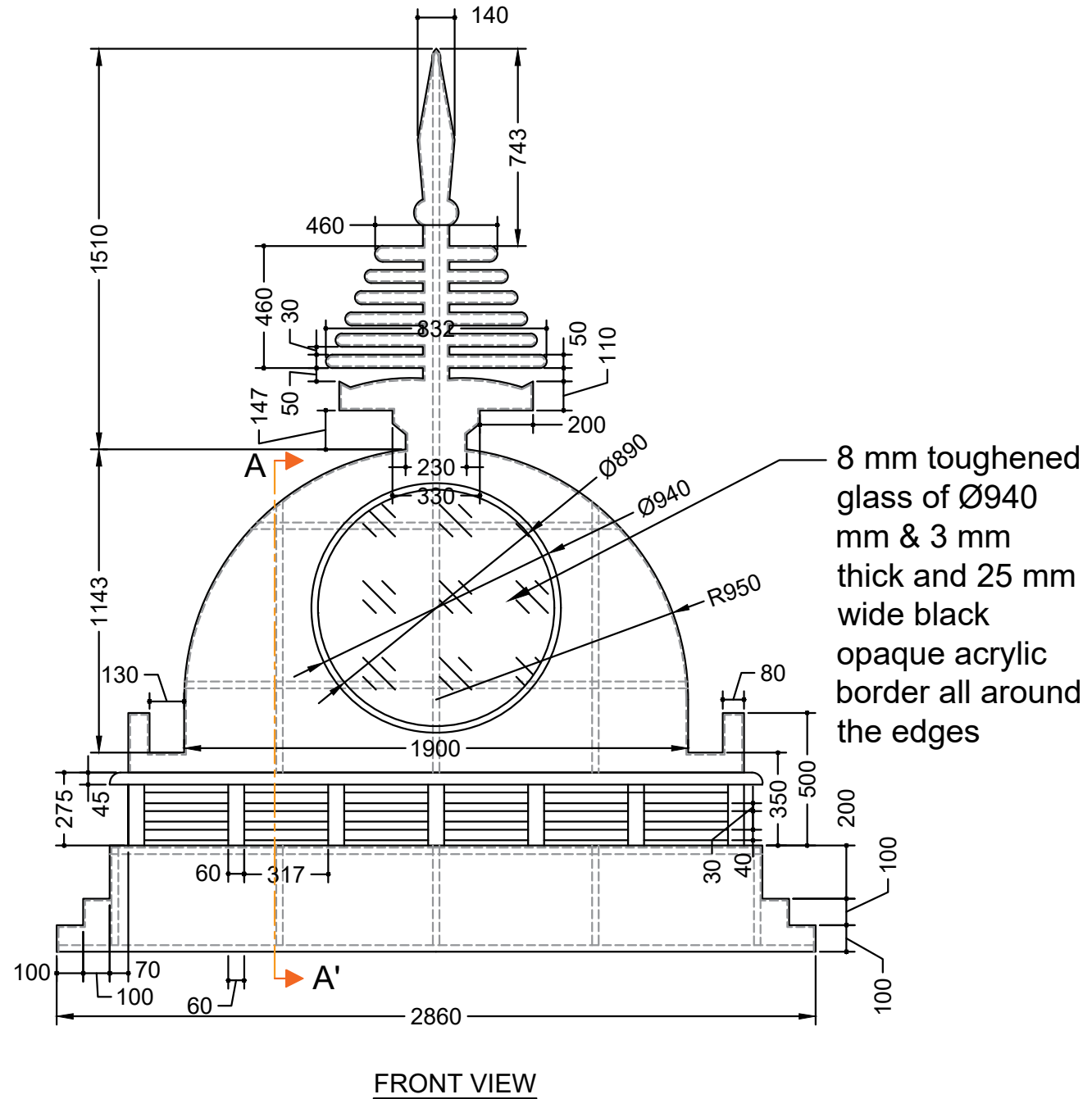
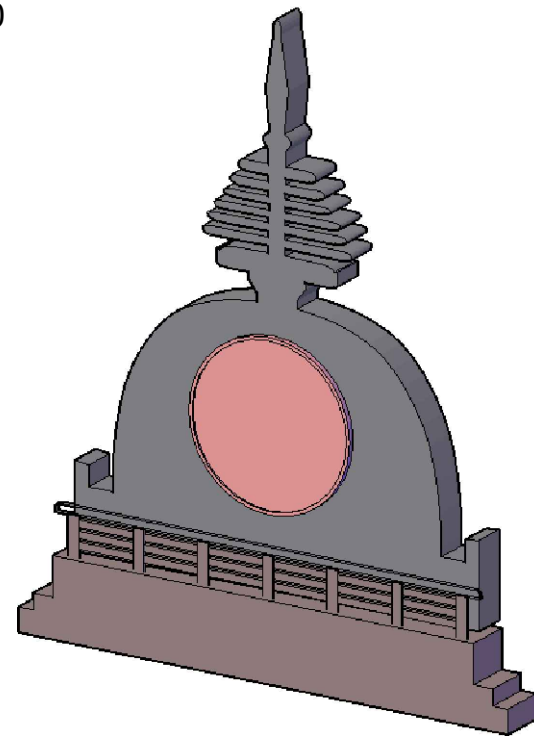
TITLE:- Folk Medicines of Indigenous People of NE India	SHEET NO. 02 OF 06
---	-----------------------

DRN. BY Muktada	CKD. BY Samant Kumar Singh(Cr)	APPRD. BY Sujay Majumder(PC)
--------------------	-----------------------------------	---------------------------------



Use 6 mm ply with 1 mm laminate finished on teakwood batten 25 x 50 mm, frame grid @450 x 450 mm c/c, peripheral frame made of 50 x 50 mm teakwood

Use 20 x 40 mm battens with sand and paint /polish finished



PART - B (DETAILS)

REGIONAL SCIENCE CENTER GUWAHATI

Gallery: Indian Traditional Medicines in NE Region

Section:- Traditional Practices with Herbs

DRG. NO.

RSCG/ITM-NER - 5.4

DATE

22/08/2023

SCALE

Not to scale

TITLE:- Medicines in Buddhist Monasteries

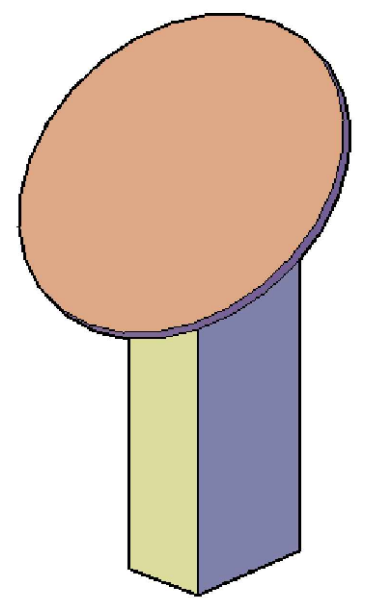
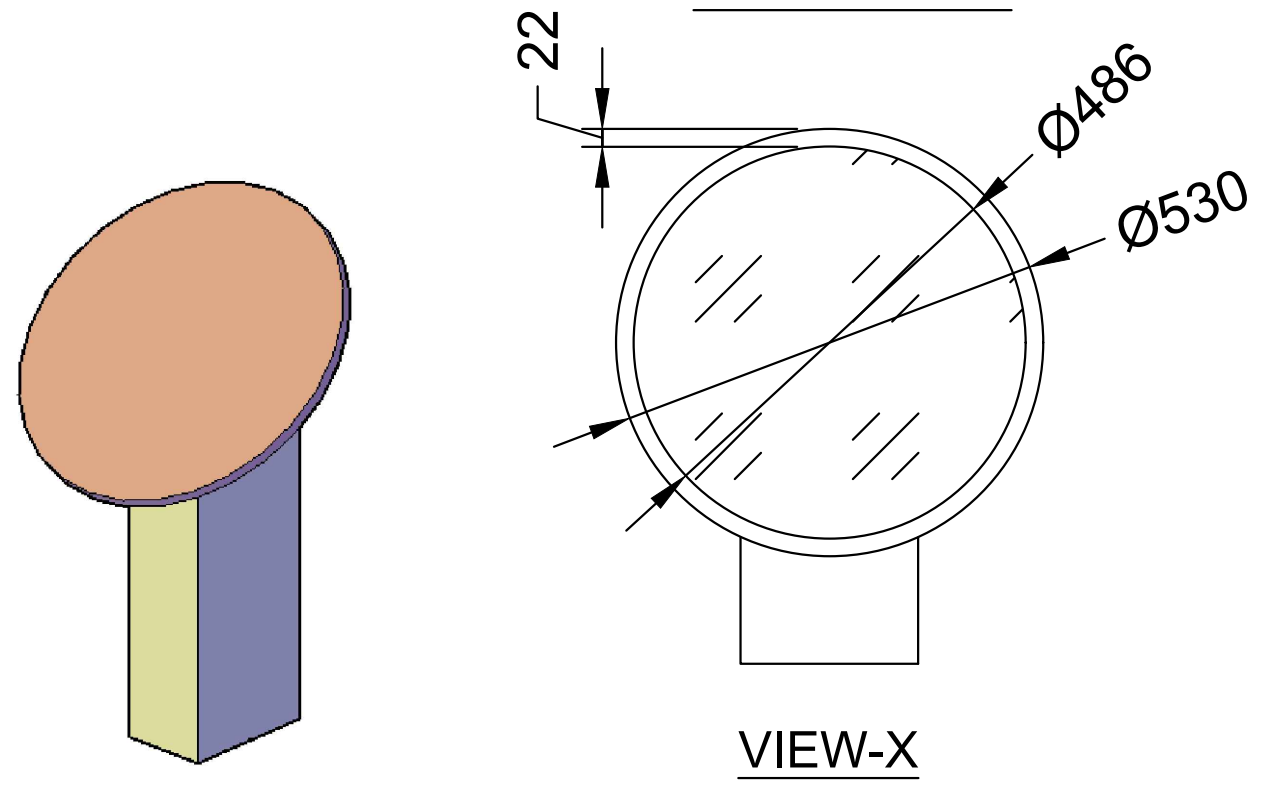
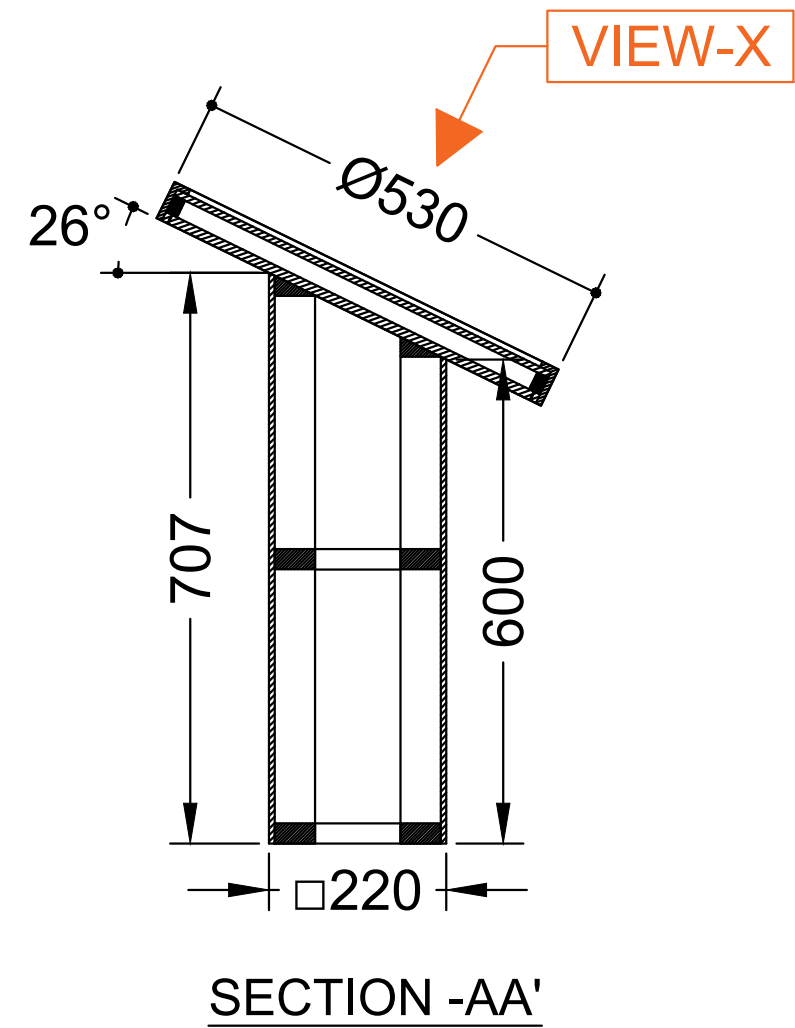
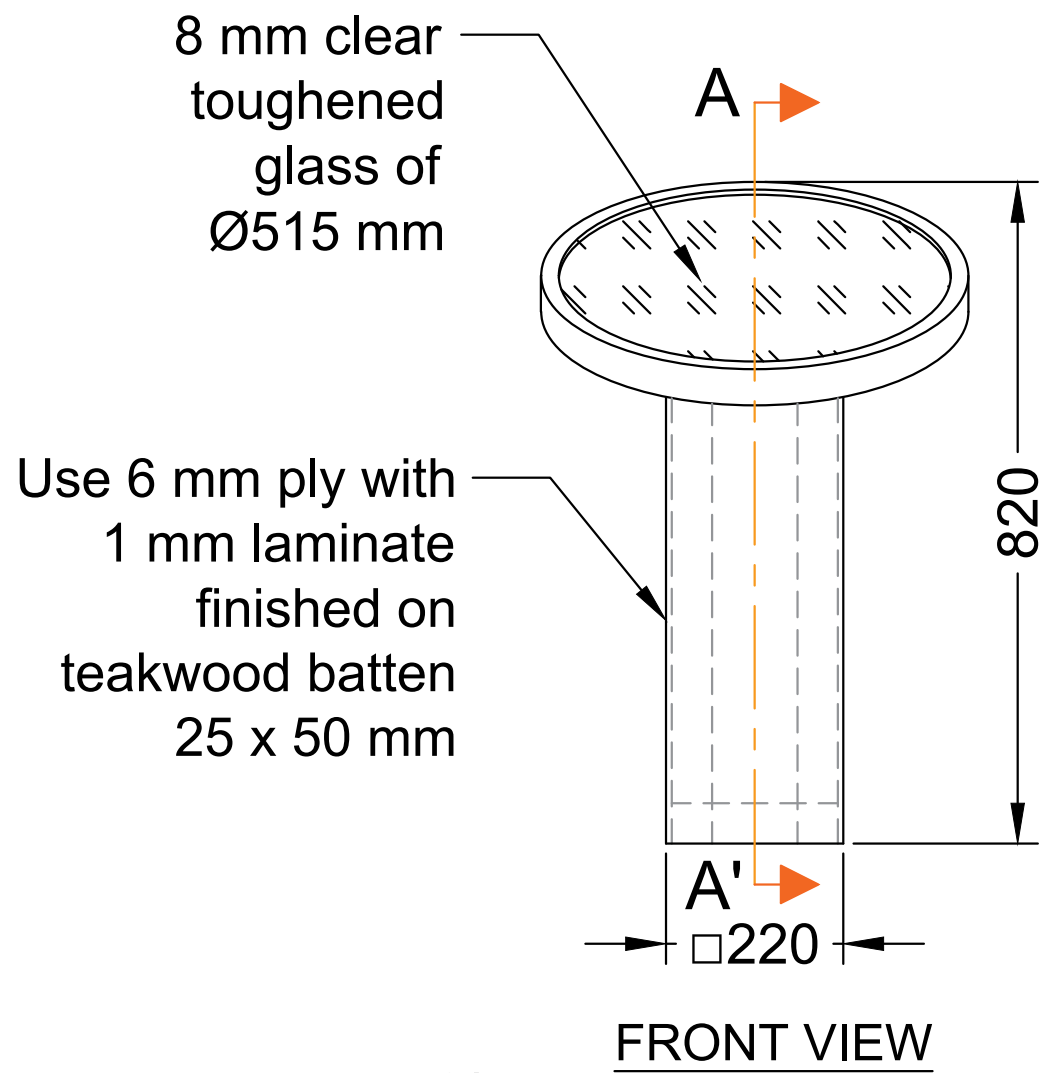
SHEET NO.

03 OF 06

DRN. BY
Muktada

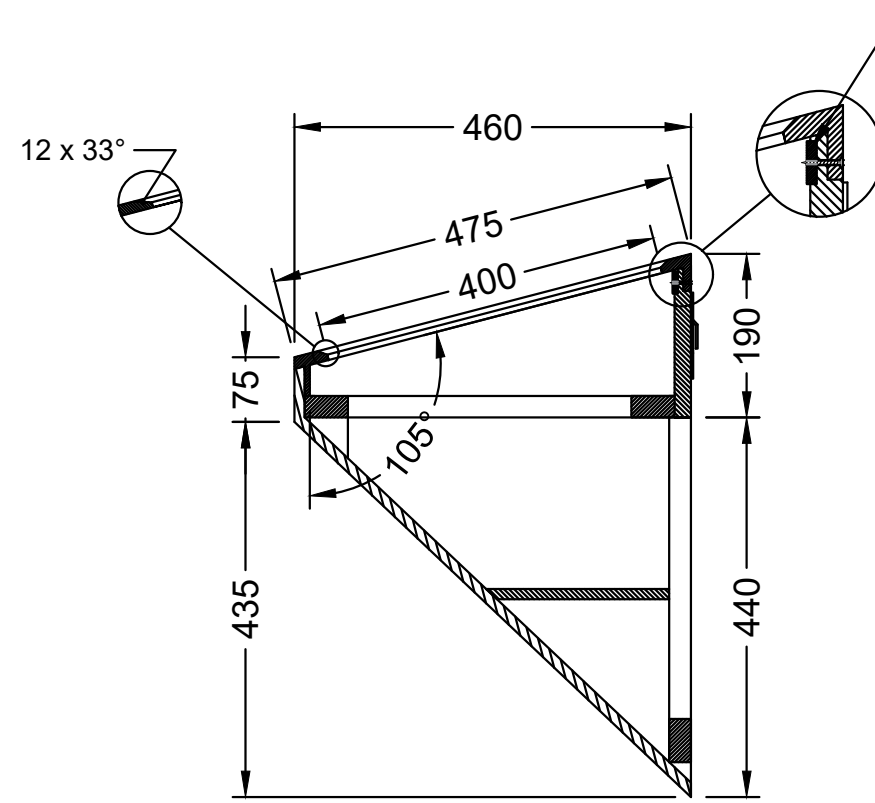
CKD. BY
Samant Kumar Singh(Cr)

APPRD. BY
Sujay Majumder(PC)



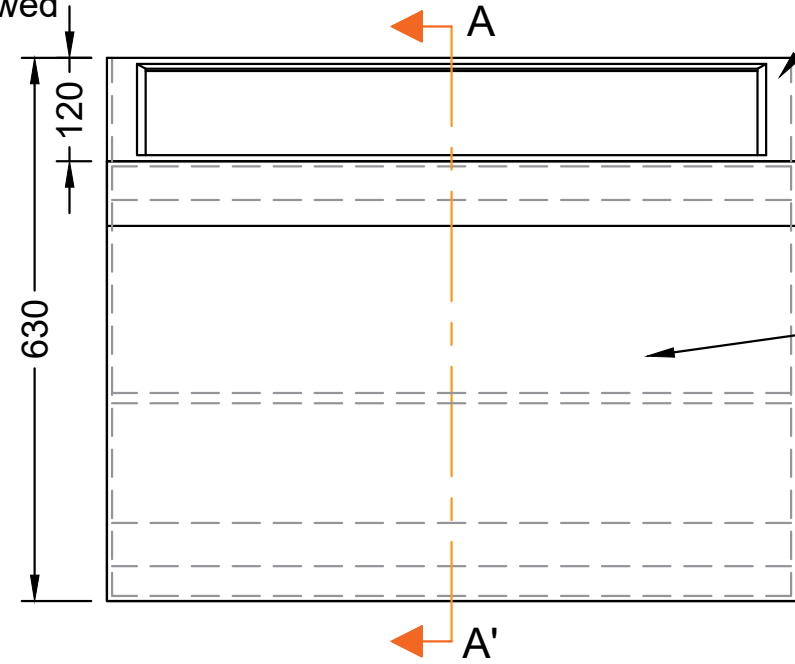
PART - C (DETAILS)

REGIONAL SCIENCE CENTER GUWAHATI		
Gallery: Indian Traditional Medicines in NE Region		
Section:- Traditional Practices with Herbs		
DRG. NO. RSCG/ITM-NER - 5.4	DATE 22/08/2023	SCALE Not to scale
TITLE:- Medicines in Buddhist Monasteries		SHEET NO. 04 OF 06
DRN. BY Muktada	CKD. BY Samant Kumar Singh(Cr)	APPRD. BY Sujoy Majumder(PC)



SECTION-AA'

M.S Flat of size 25 x 75 mm and 6 mm thick with M6 taped thread and fixed half grooved into ply and screwed

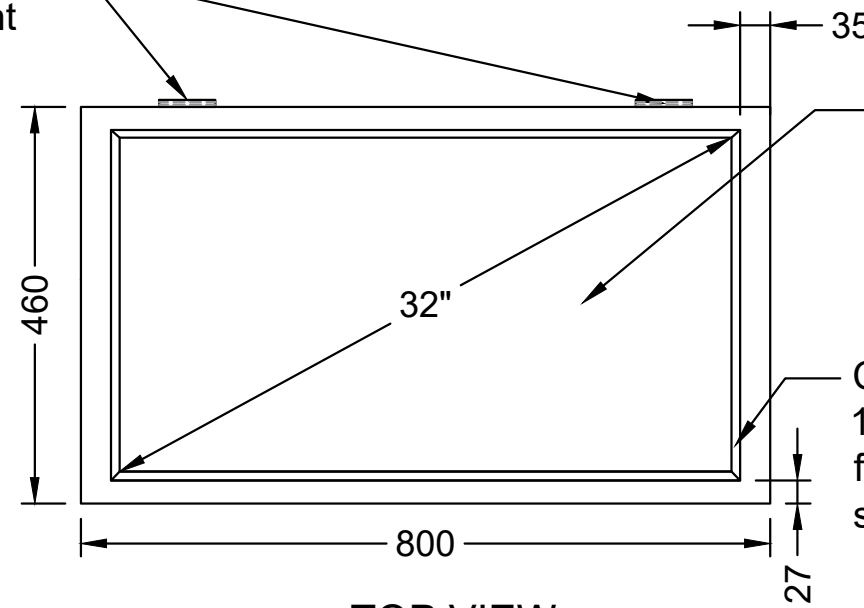


FRONT VIEW

Top cover is portable made of 12 mm ply with 1 mm laminate finished, fix with screw as shown

19 mm block board with 1 mm laminate finished use 25 x 50 mm teakwood battens to frame the structure

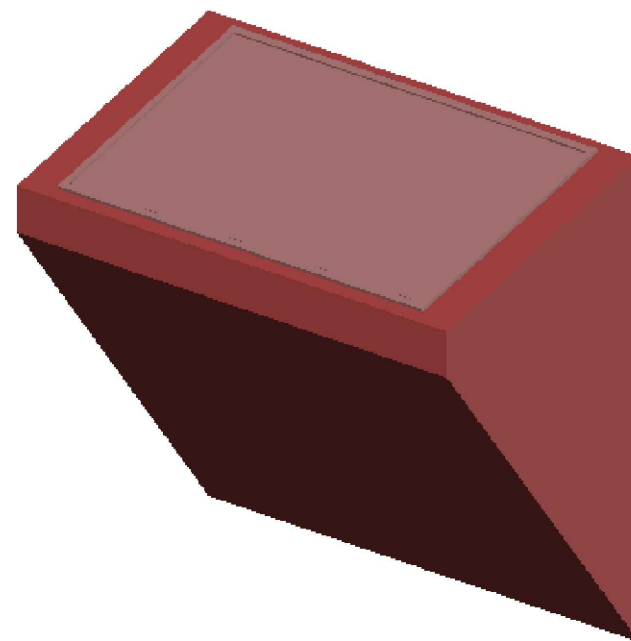
Wall mounted bracket fixing arrangement



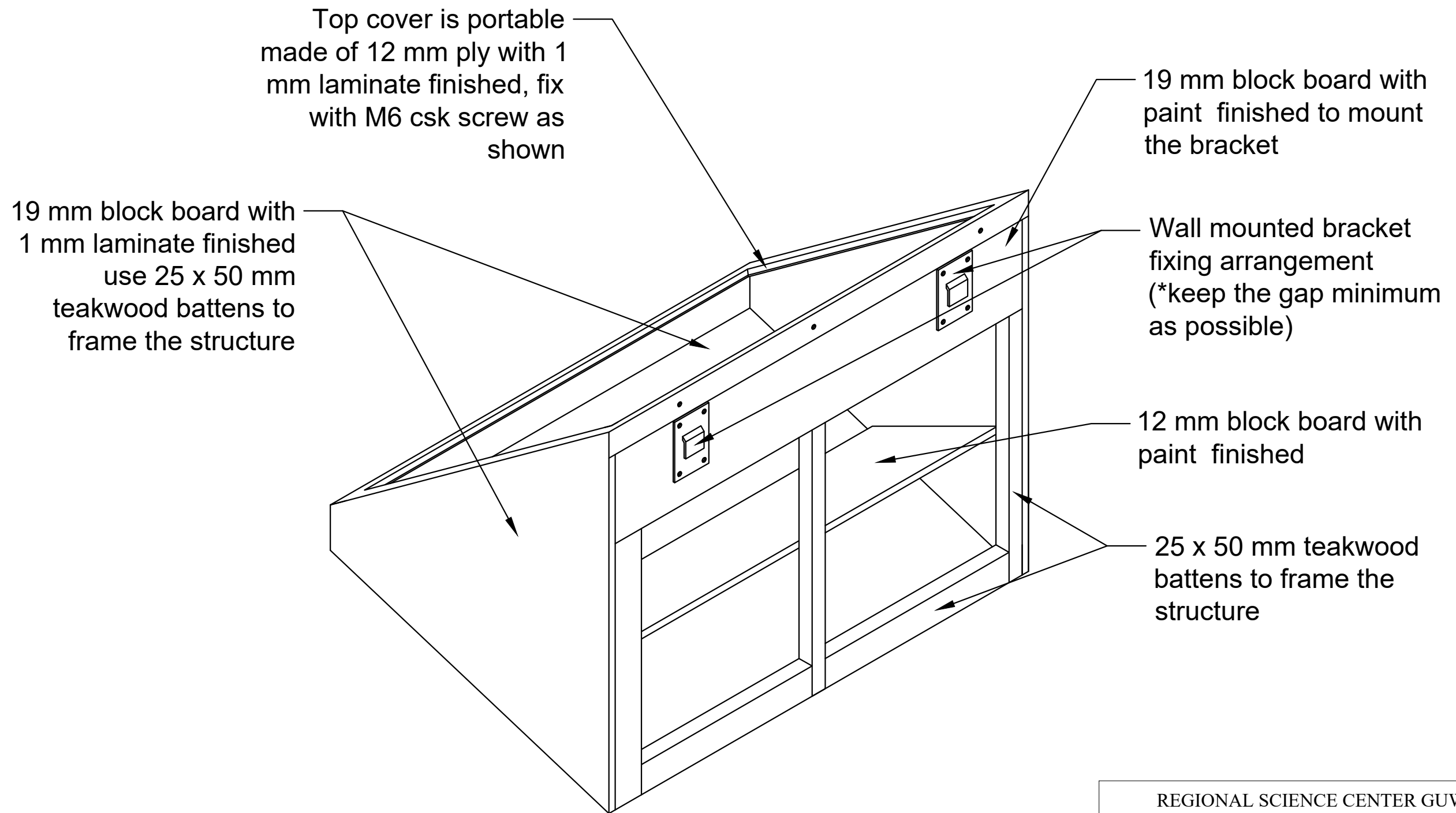
TOP VIEW

400 x 710 mm Cutout (*This cutout size is tentative the actual cutout size to be provided at site)

Chamfer the edge 10 x 17° (after 3 mm offset from the bottom surface)



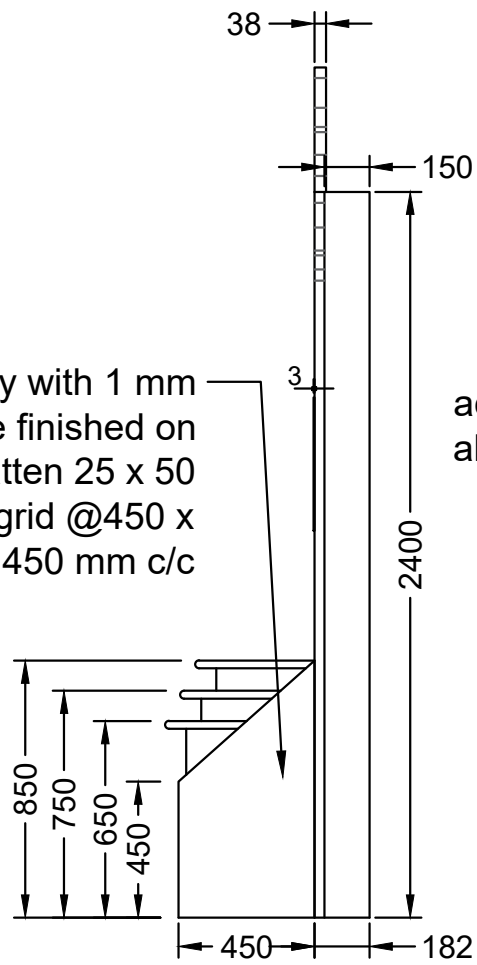
REGIONAL SCIENCE CENTER GUWAHATI		
Gallery: Indian Traditional Medicines in NE Region		
Section:- Traditional Practices with Herbs		
DRG. NO. RSCG/ITM-NER - 5.3	DATE 22/08/2023	SCALE Not to scale
TITLE:- Folk Medicines of Indigenous People of NE India		SHEET NO. 05 OF 06
DRN. BY Muktada	CKD. BY Samant Kumar Singh(Cr)	APPRD. BY Sujay Majumder(PC)



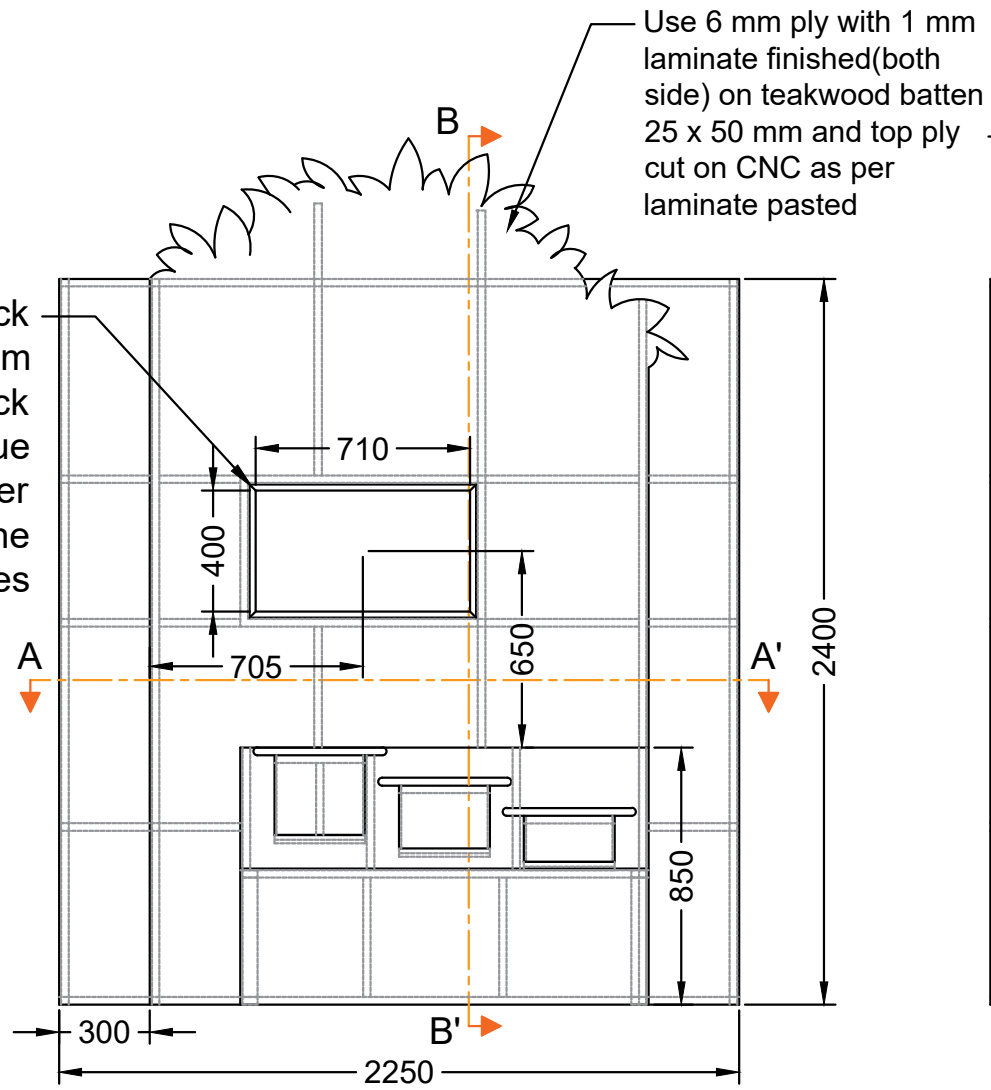
ISOMETRIC VIEW

REGIONAL SCIENCE CENTER GUWAHATI		
Gallery: Indian Traditional Medicines in NE Region		
Section:- Traditional Practices with Herbs		
DRG. NO. RSCG/ITM-NER- 5.3	DATE 22/08/2023	SCALE Not to scale
TITLE:- Folk Medicines of Indigenous People of NE India		SHEET NO. 06 OF 06
DRN. BY Muktada	CKD. BY Samant Kumar Singh(Cr)	APPRD. BY Sujay Majumder(PC)

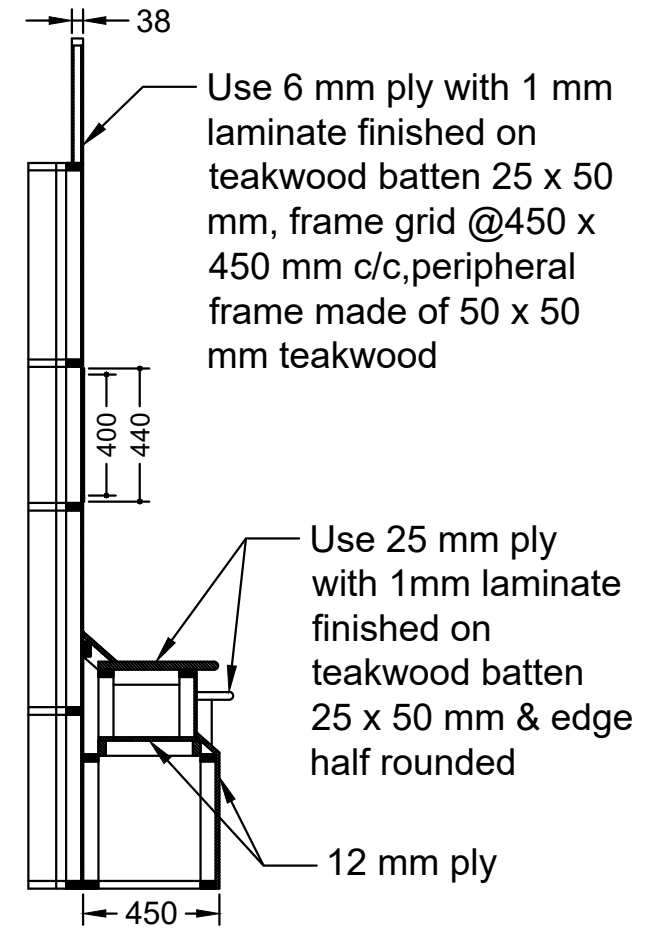
Use 12 mm ply with 1 mm laminate finished on teakwood batten 25 x 50 mm, frame grid @450 x 450 mm c/c



3 mm thick and 20 mm wide black opaque acrylic border all around the edges



Use 6 mm ply with 1 mm laminate finished(both side) on teakwood batten 25 x 50 mm and top ply cut on CNC as per laminate pasted

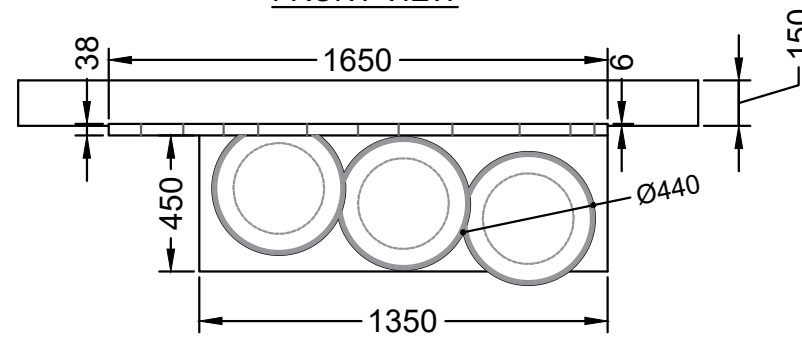
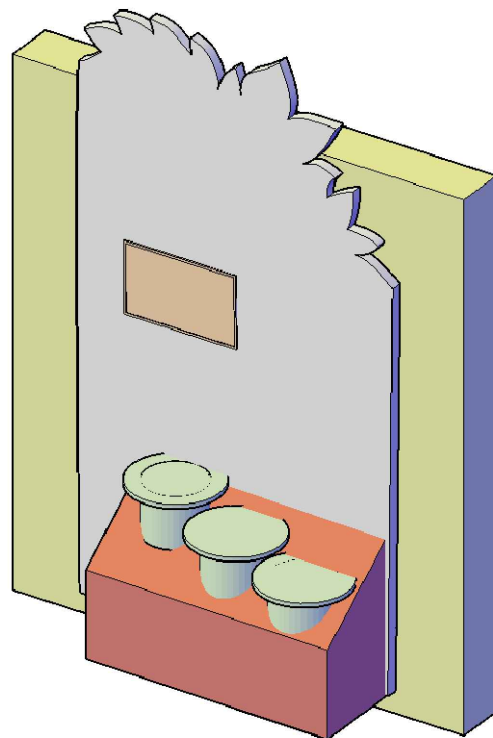


Use 6 mm ply with 1 mm laminate finished on teakwood batten 25 x 50 mm, frame grid @450 x 450 mm c/c, peripheral frame made of 50 x 50 mm teakwood

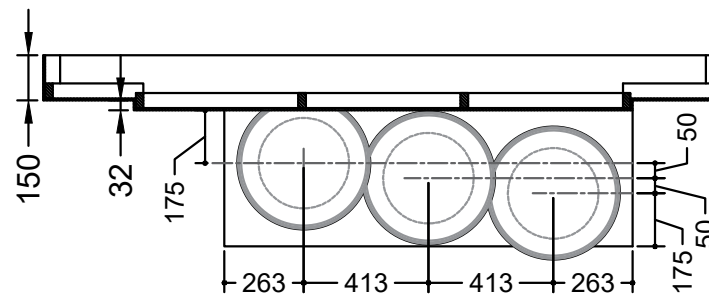
Use 25 mm ply with 1mm laminate finished on teakwood batten 25 x 50 mm & edge half rounded

12 mm ply

FRONT VIEW



TOP VIEW



SECTION -AA'

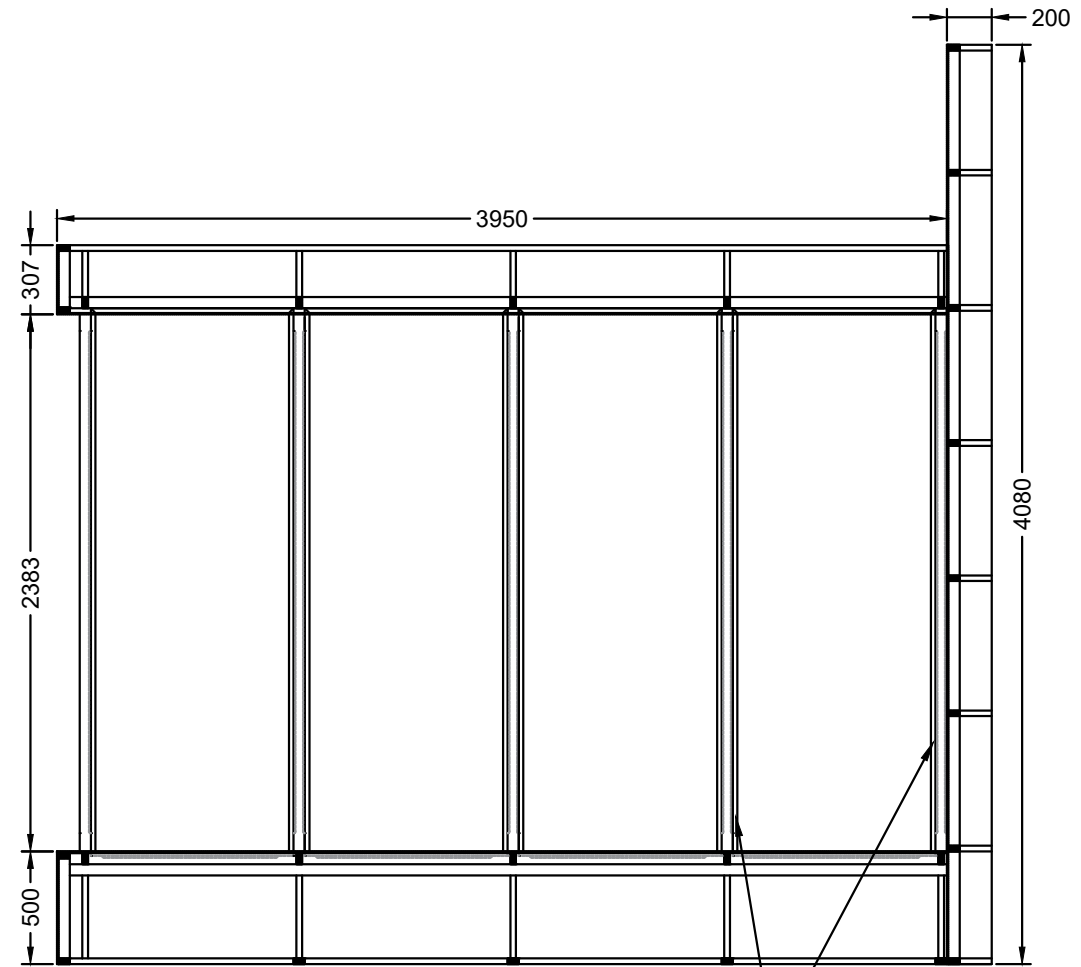
REGIONAL SCIENCE CENTER GUWAHATI

Gallery: Indian Traditional Medicines in NE Region
Section:- Nutraceuticals

DRG. NO. RSCG/ITM-NER - 6.1	DATE 22/08/2023	SCALE Not to scale
--------------------------------	--------------------	-----------------------

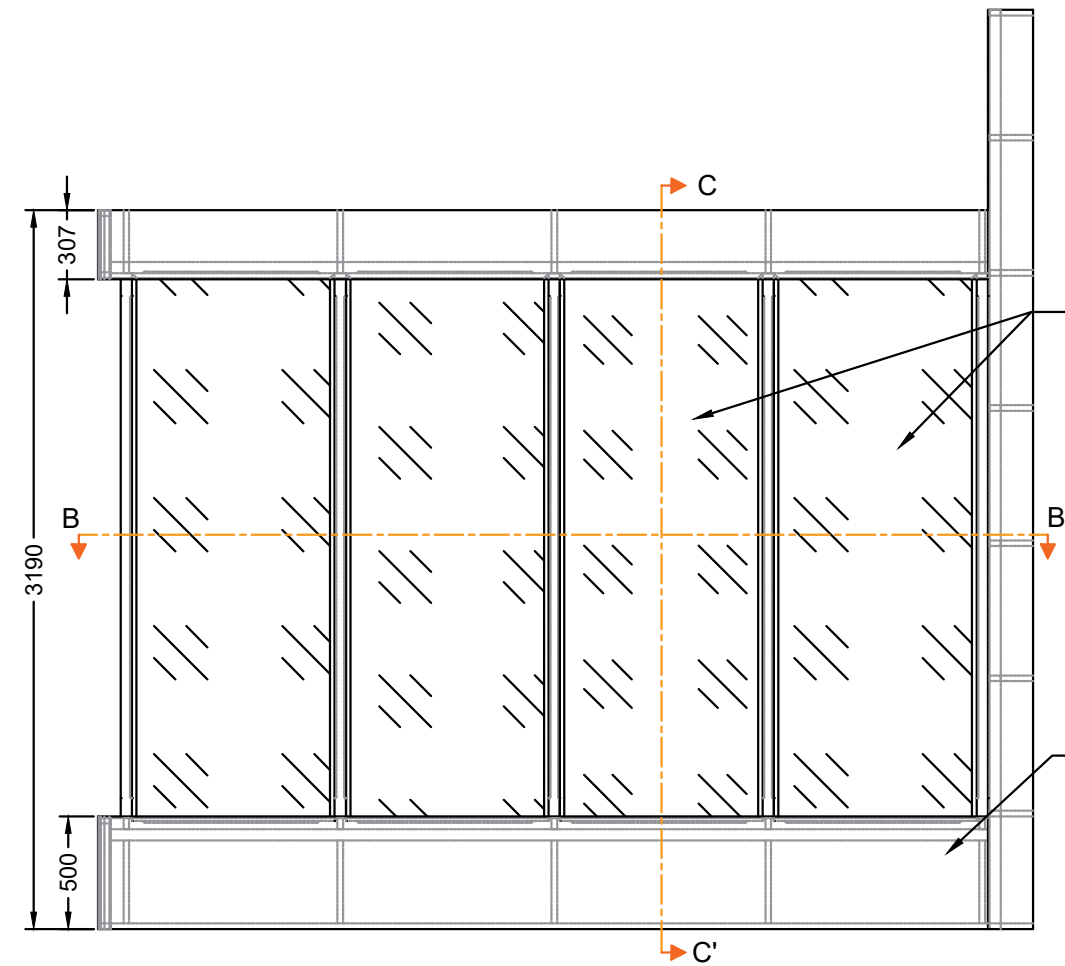
TITLE:-Different Categories of Nutraceuticals	SHEET NO. 01 OF 01
---	-----------------------

DRN. BY Muktada	CKD. BY Samant Kumar Singh(Cr)	APPRD. BY Sujay Majumder(PC)
--------------------	-----------------------------------	---------------------------------



SECTION-AA'

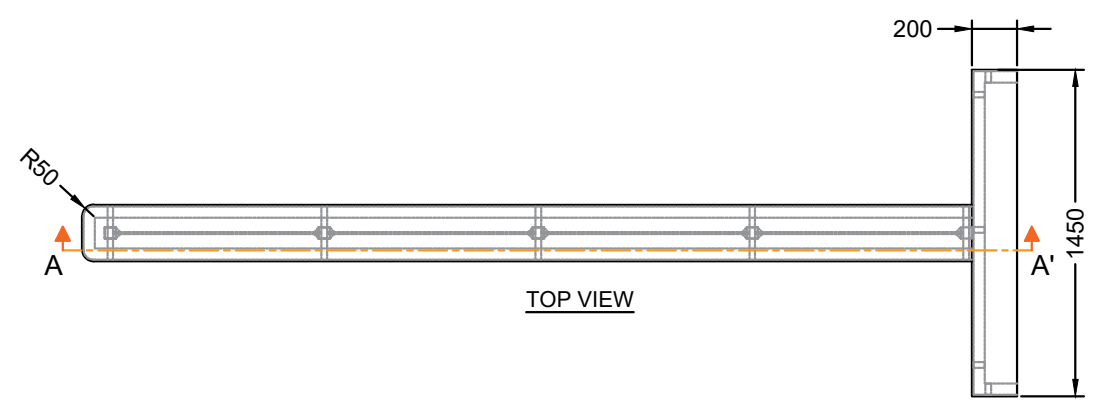
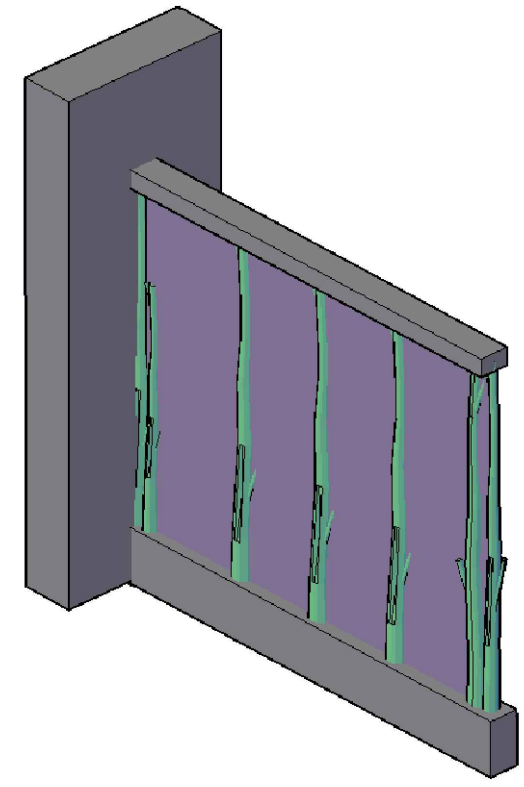
Use 20 mm teakwood beading to fix glasses



FRONT VIEW (Structural)

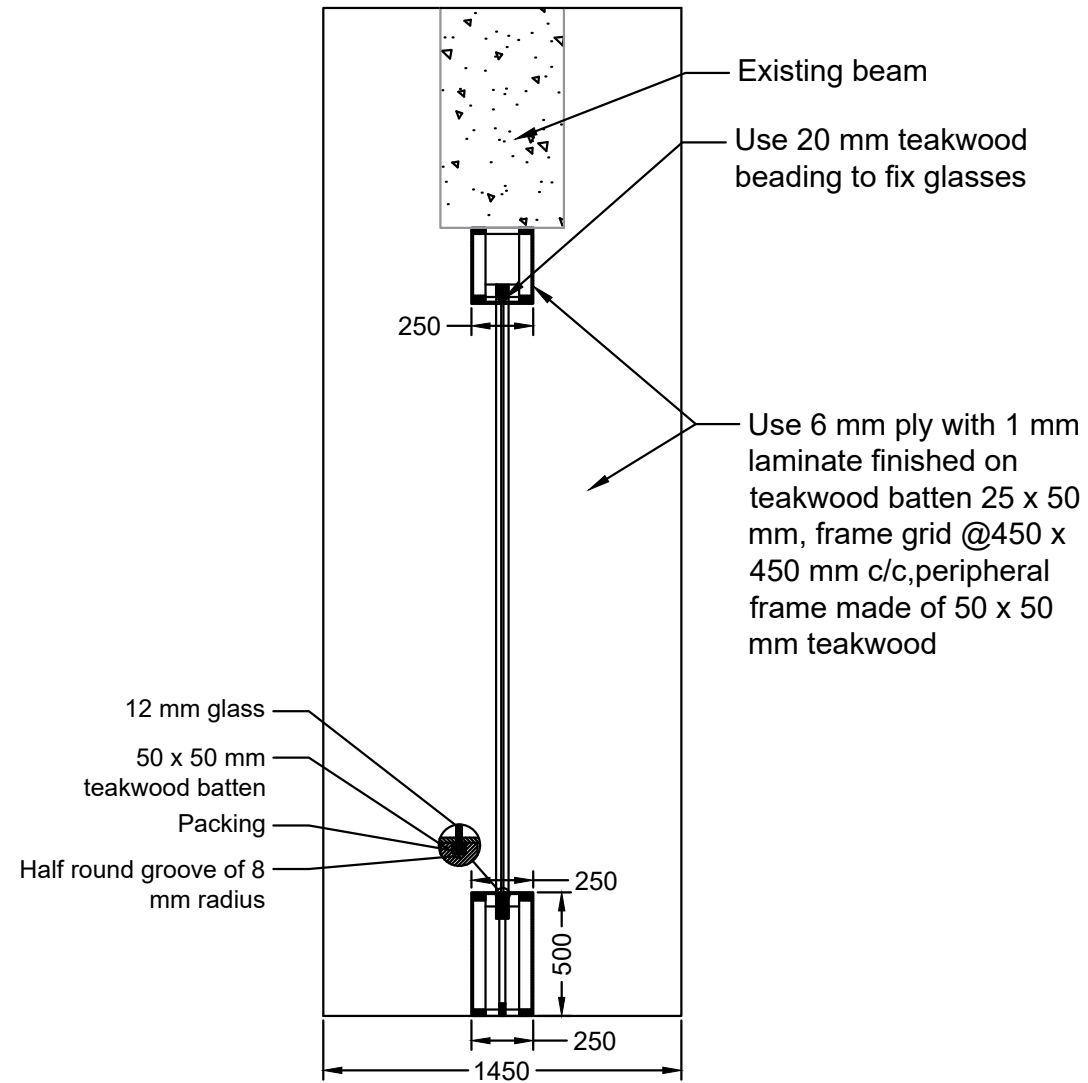
4 nos. of 12 mm clear toughened glass of size 2430 x 900 mm fixed with 20 mm teakwood beading

Use 6 mm ply with 1 mm laminate finished on teakwood batten 25 x 50 mm, frame grid @450 x 450 mm c/c, peripheral frame made of 50 x 50 mm teakwood

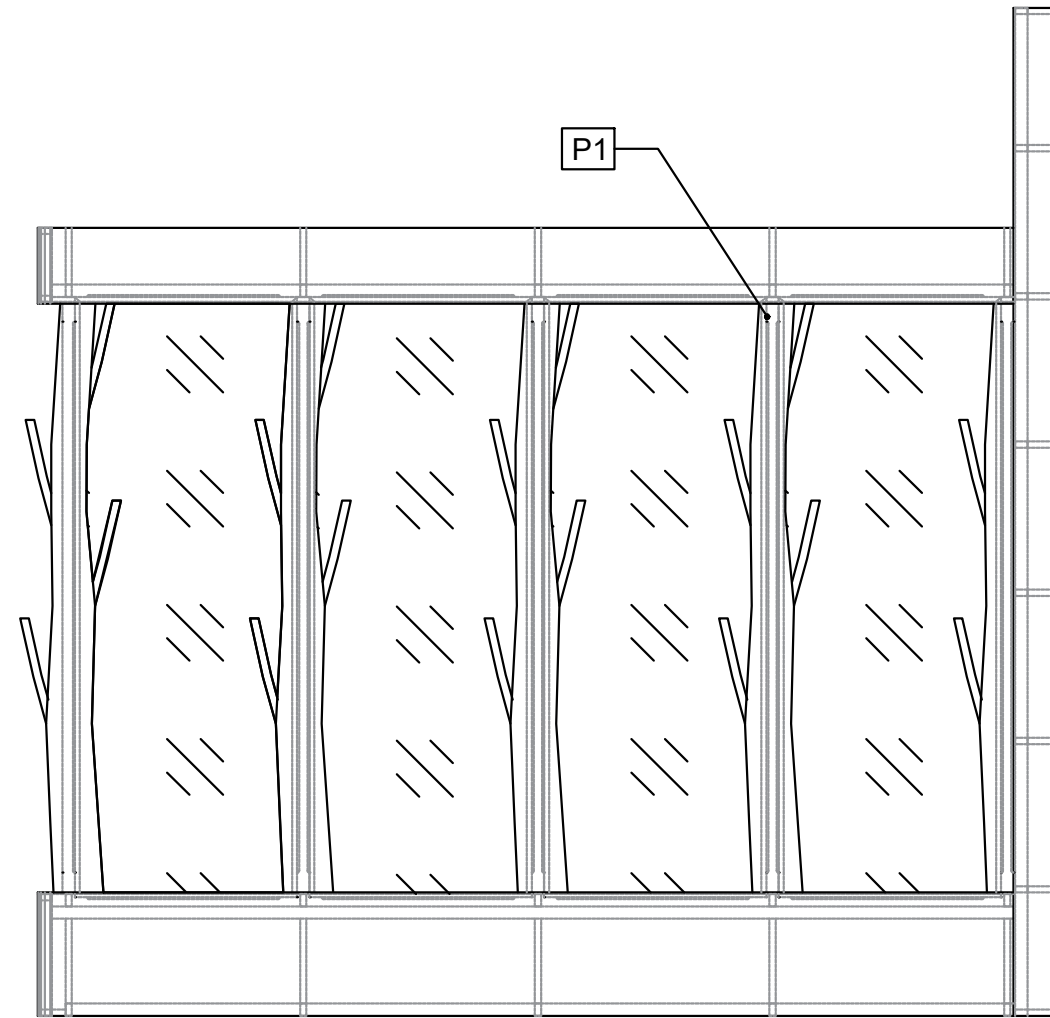


TOP VIEW

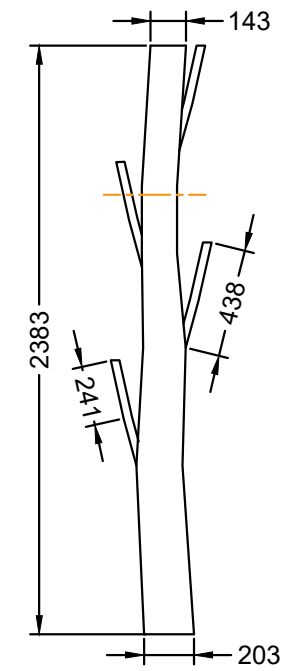
REGIONAL SCIENCE CENTER GUWAHATI		
Gallery: Indian Traditional Medicines in NE Region Section:- Traditional Zoo Therapeutics		
DRG. NO. RSCG/ITM-NER - 7.1	DATE 22/08/2023	SCALE Not to scale
TITLE:- Traditional Zoo Therapeutics		SHEET NO. 01 OF 02
DRN. BY Muktada	CKD. BY Samant Kumar Singh(Cr)	APPRD. BY Sujay Majumder(PC)



SECTION -CC'



FRONT VIEW (Finished)

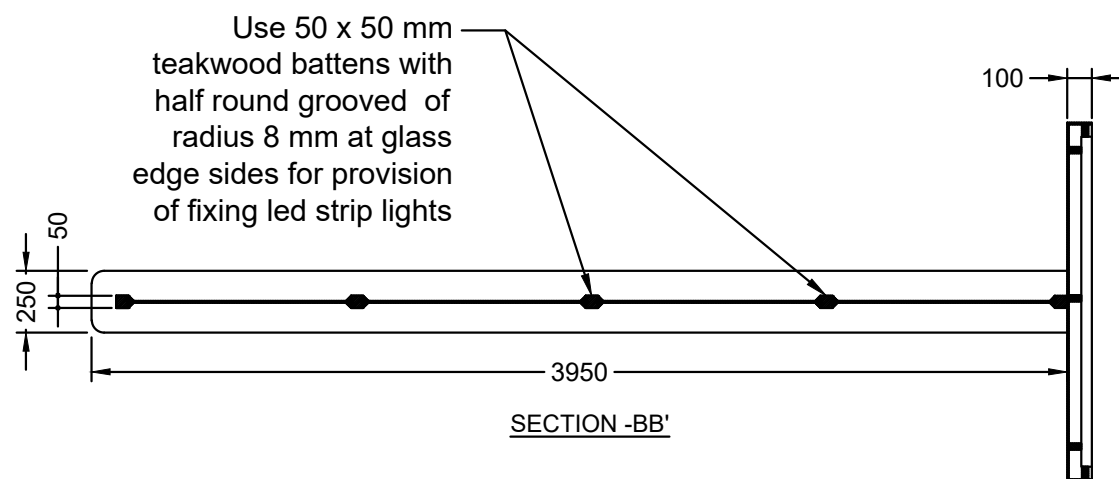


FRONT VIEW



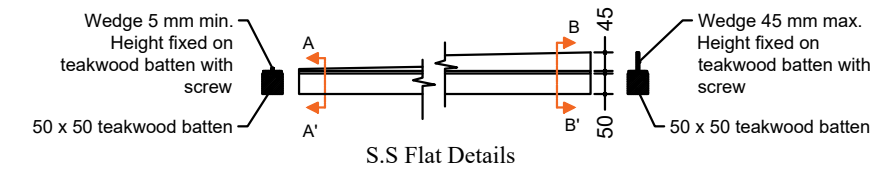
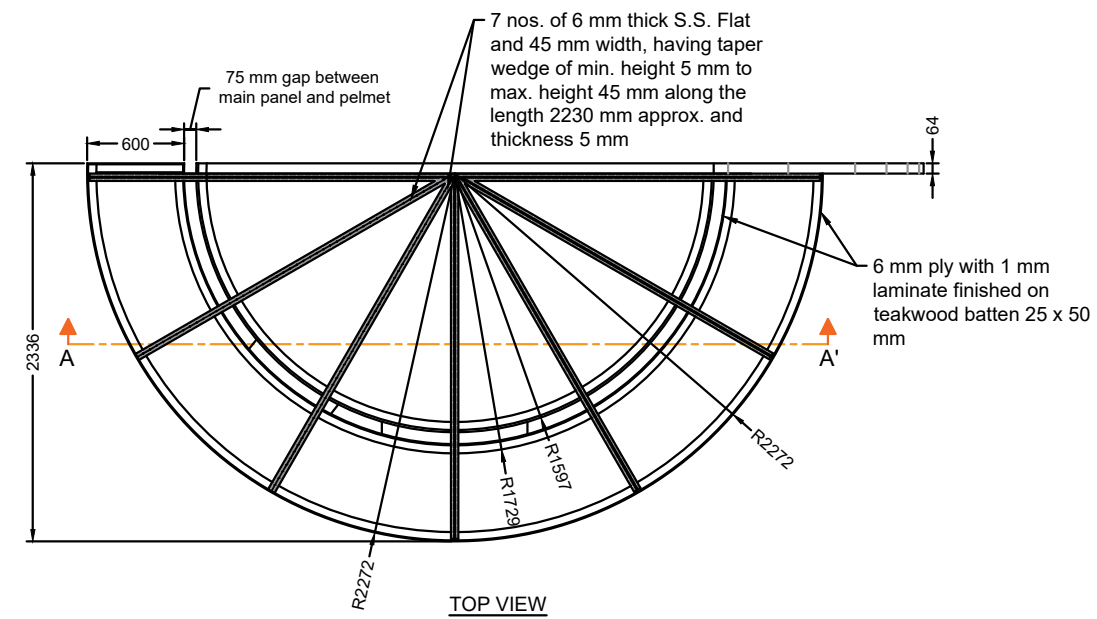
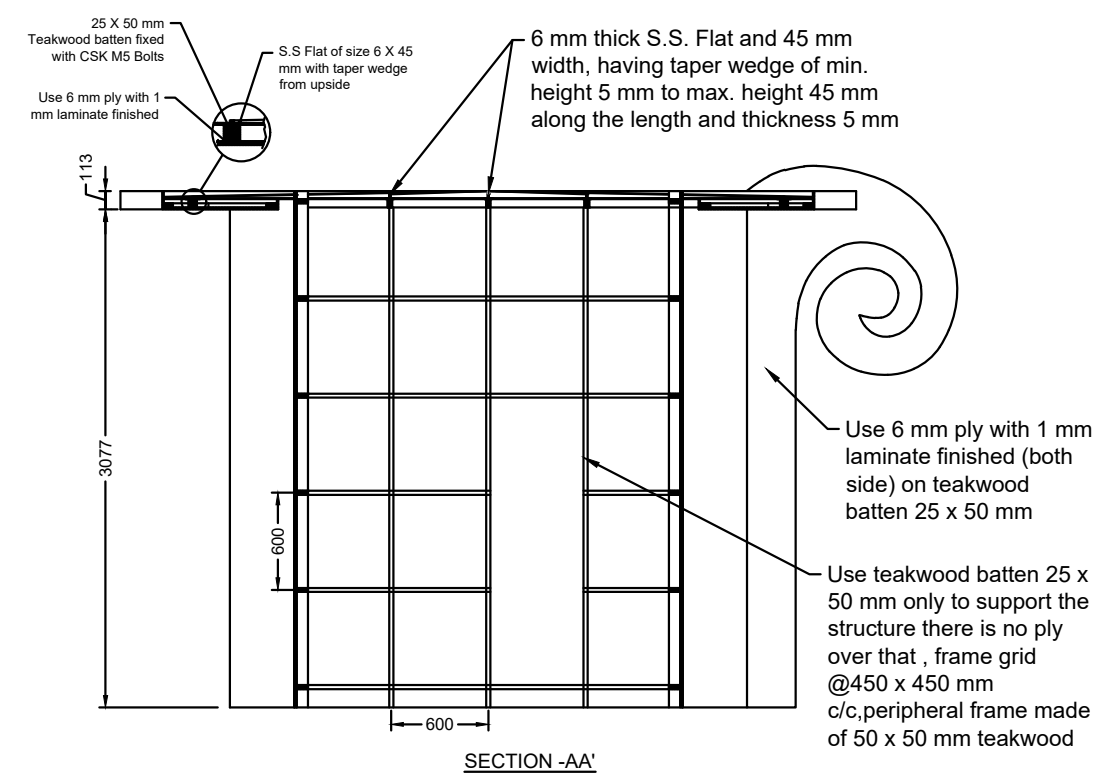
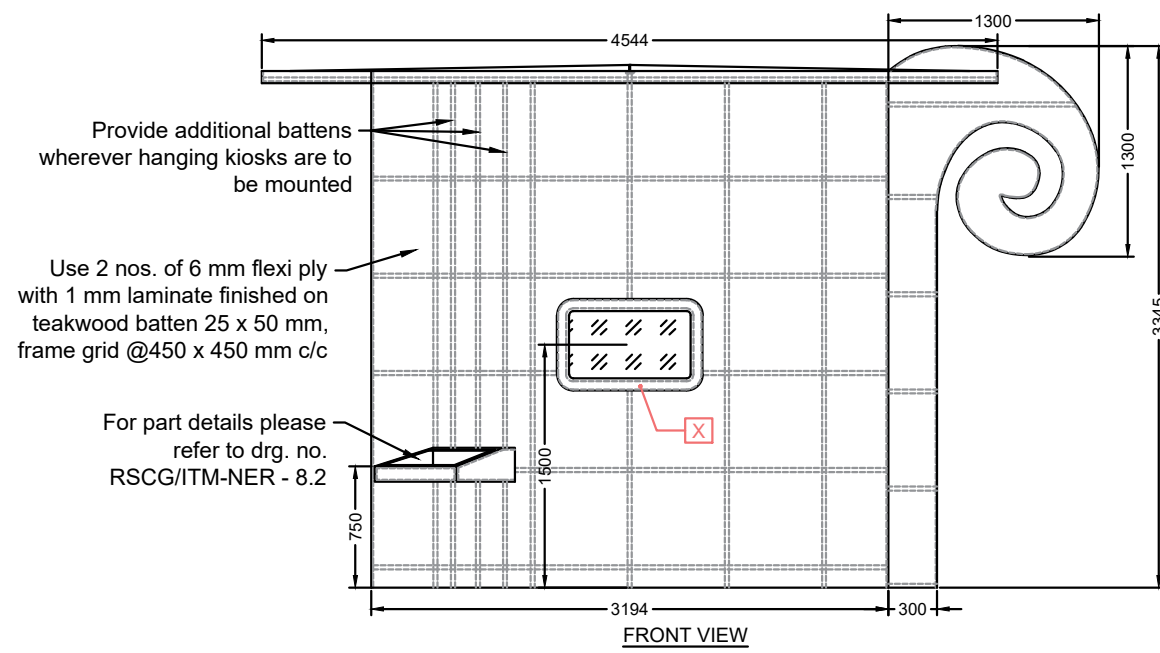
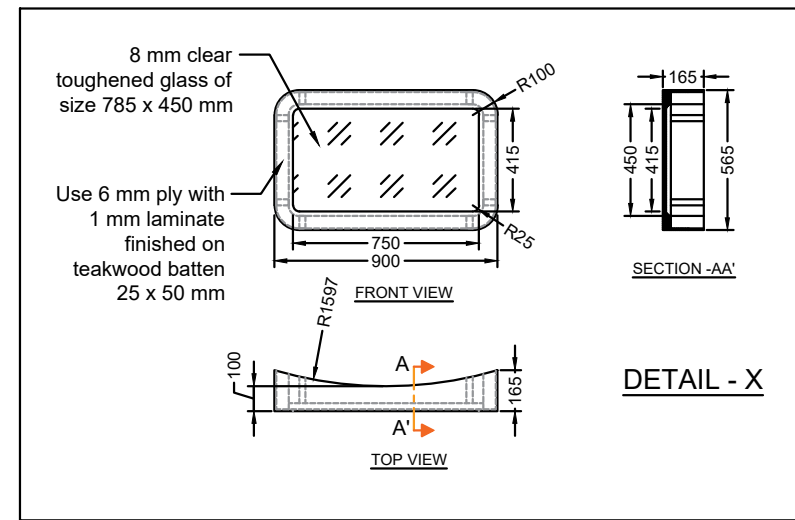
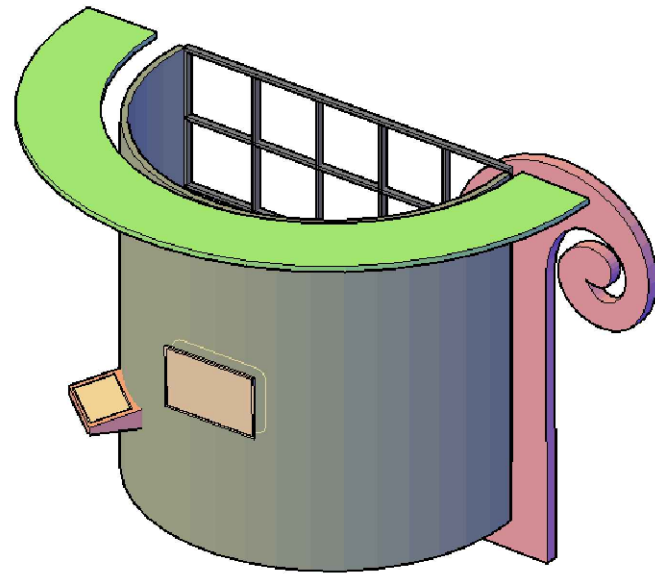
TOP VIEW

P1- DETAILS
 MTRL. - FIBER GLASS
 QTY. - 5 NOS.

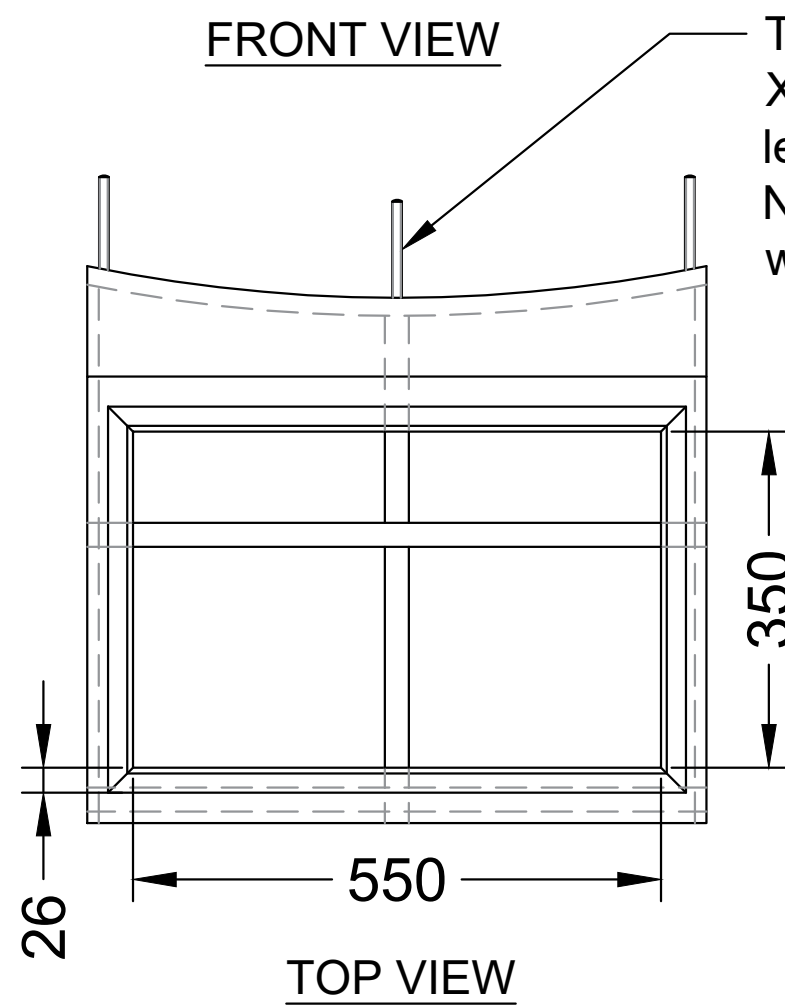
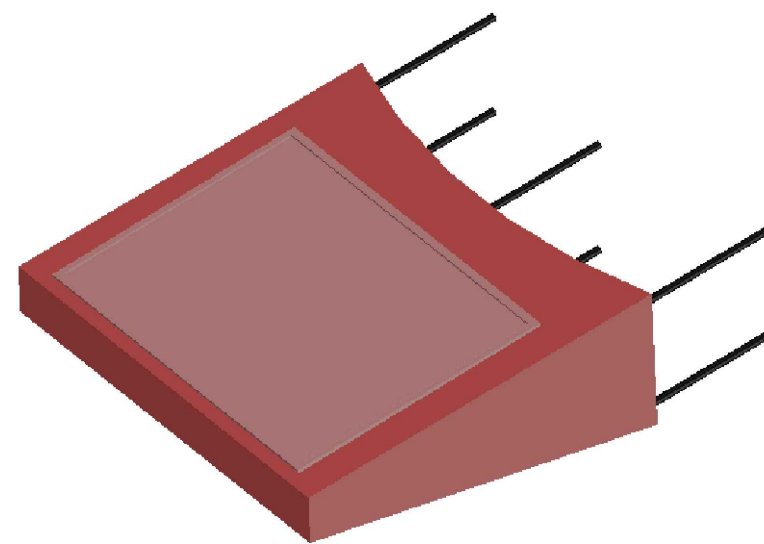
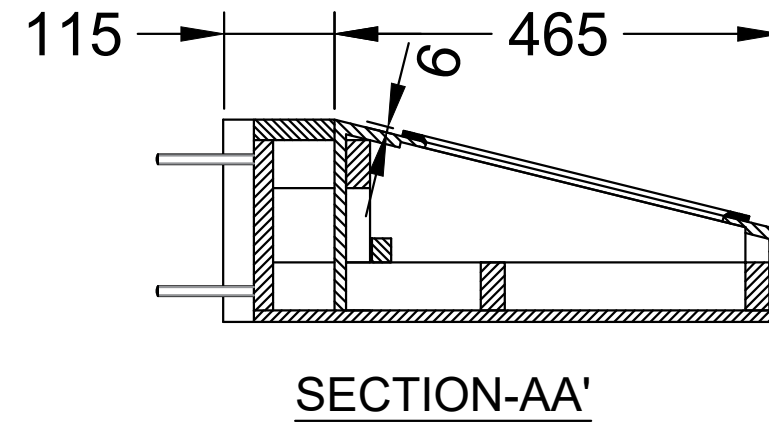
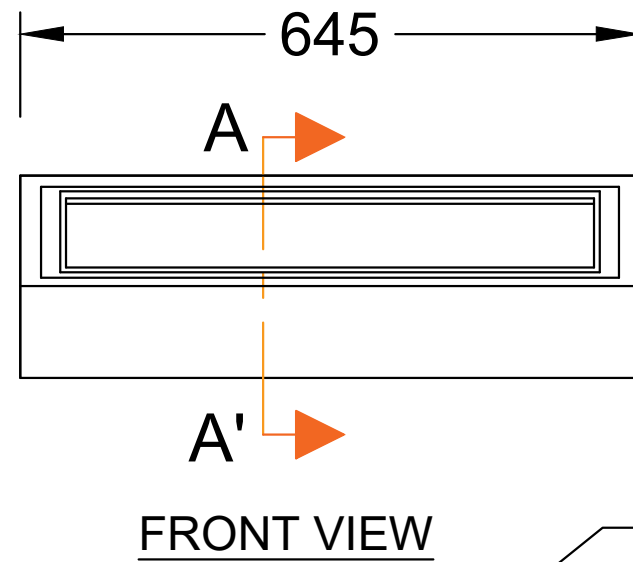
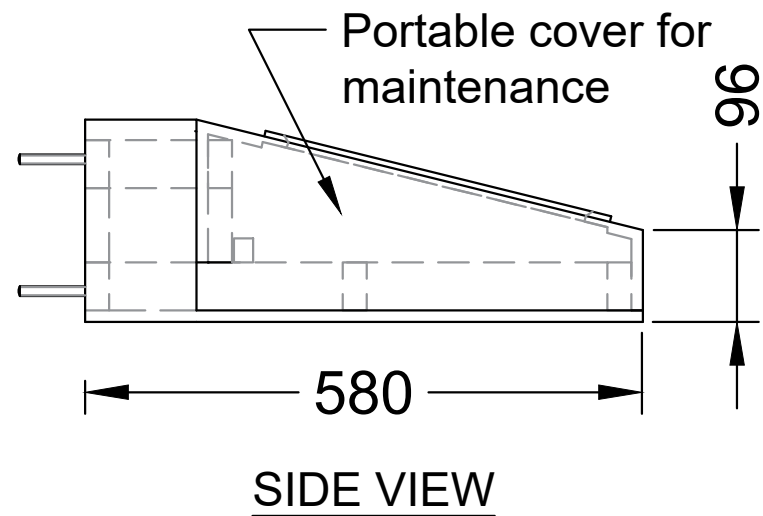


SECTION -BB'

REGIONAL SCIENCE CENTER GUWAHATI		
Gallery: Indian Traditional Medicines in NE Region Section:- Traditional Zoo Therapeutics		
DRG. NO. RSCG/ITM-NER - 7.1	DATE 22/08/2023	SCALE Not to scale
TITLE:- Traditional Zoo Therapeutics		SHEET NO. 02 OF 02
DRN. BY Muktada	CKD. BY Samant Kumar Singh(Cr)	APPRD. BY Sujay Majumder(PC)



REGIONAL SCIENCE CENTER GUWAHATI		
Gallery: Indian Traditional Medicines in NE Region		
Section:- Entomotherapeutics		
DRG. NO. RSCG/ITM-NER - 8.1 & 8.2	DATE 22/08/2023	SCALE Not to scale
TITLE:- Use of Medicinal Insects in NE India & Comparative Survey of Entomophagy and Entomotherapeutic Practices		SHEET NO. 01 OF 02
DRN. BY Muktada	CKD. BY Samant Kumar Singh(Cr)	APPRD. BY Sujay Majumder(PC)



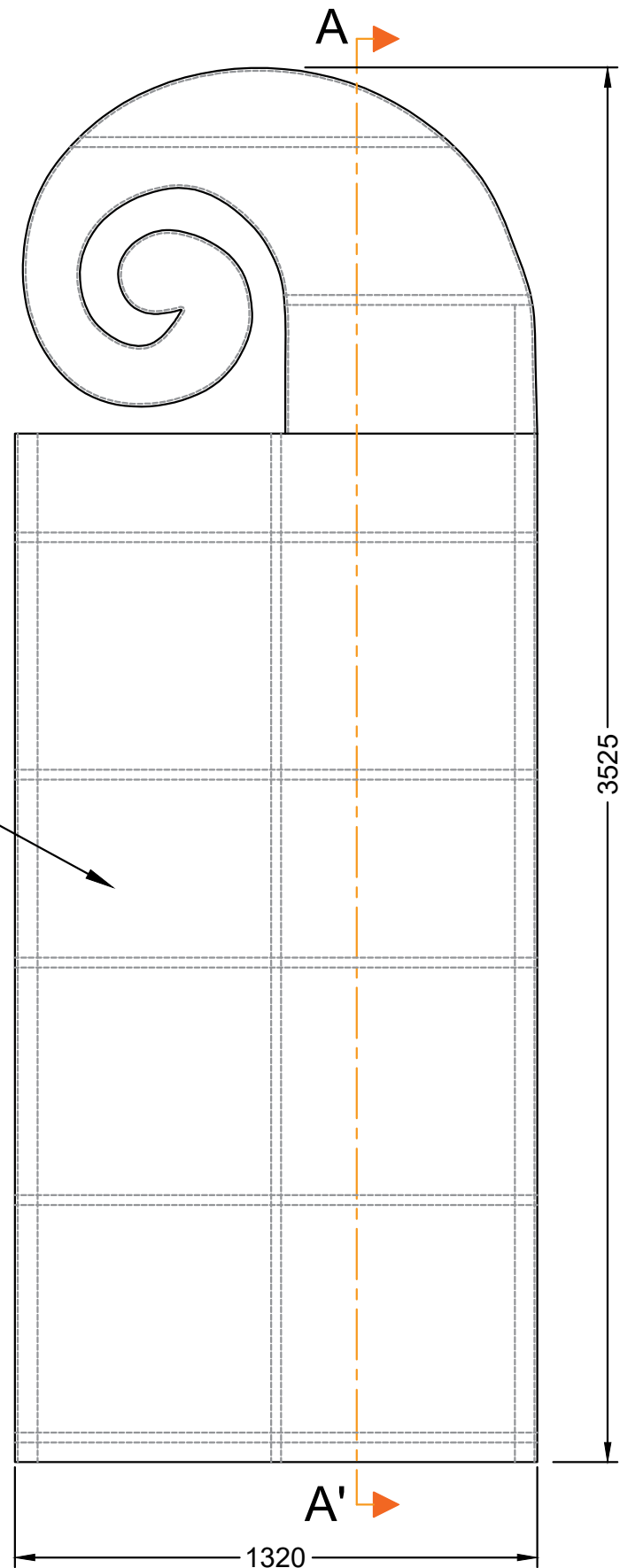
Threaded bolt M10
X 1.5 X 100 mm
length(6 Nos.) &
Nuts with plain
washers

Use 12 mm ply with 1
mm laminate finished on
teakwood batten 25 x 50
mm

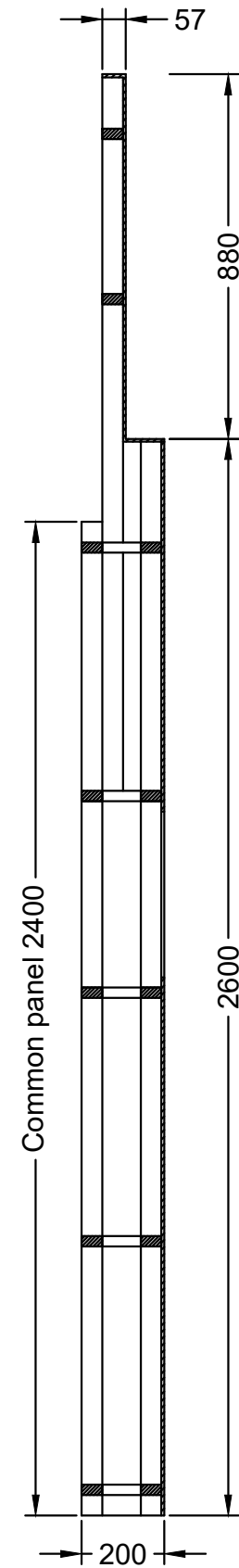
PART-A DETAILS

REGIONAL SCIENCE CENTER GUWAHATI		
Gallery: Indian Traditional Medicines in NE Region Section:- Entomotherapeutics		
DRG. NO. RSCG/ITM-NER - 8.2	DATE 22/08/2023	SCALE Not to scale
TITLE:- Comparative Survey of Entomophagy and Entomotherapeutic Practices		SHEET NO. 02 OF 02
DRN. BY Muktada	CKD. BY Samant Kumar Singh(Cr)	APPRD. BY Sujay Majumder

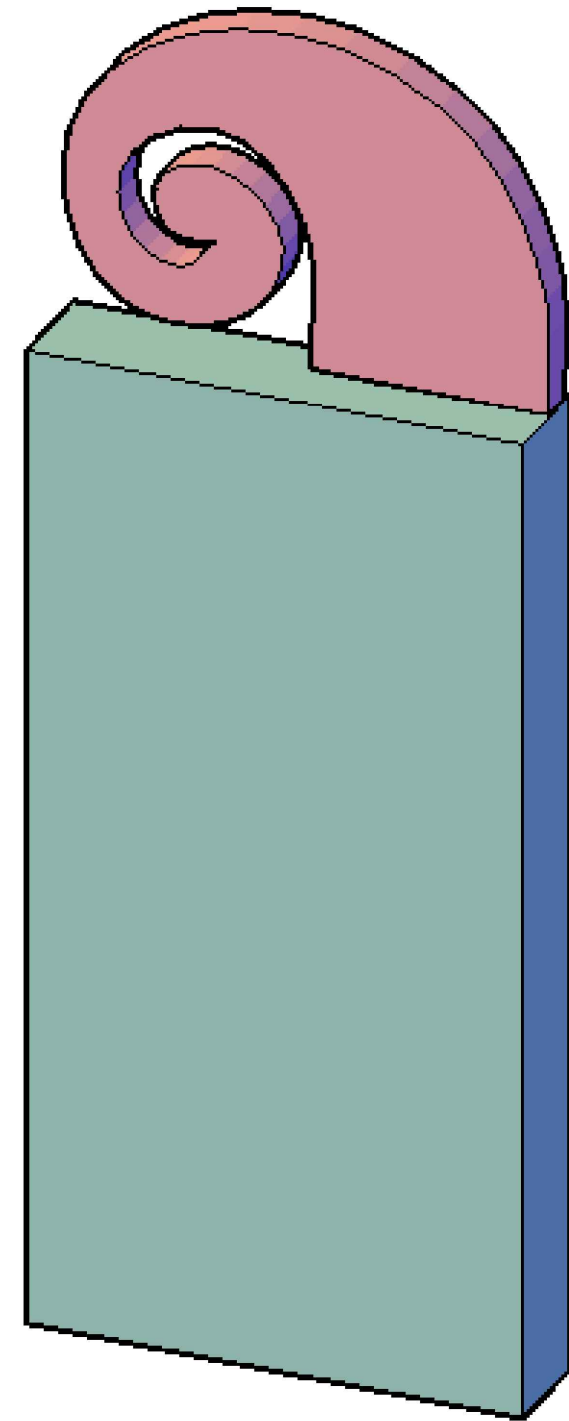
Use 6 mm ply with 1 mm laminate finished on teakwood batten 25 x 50 mm frame grid @450 x 450 mm c/c, peripheral frame made of 50 x 50 mm teakwood



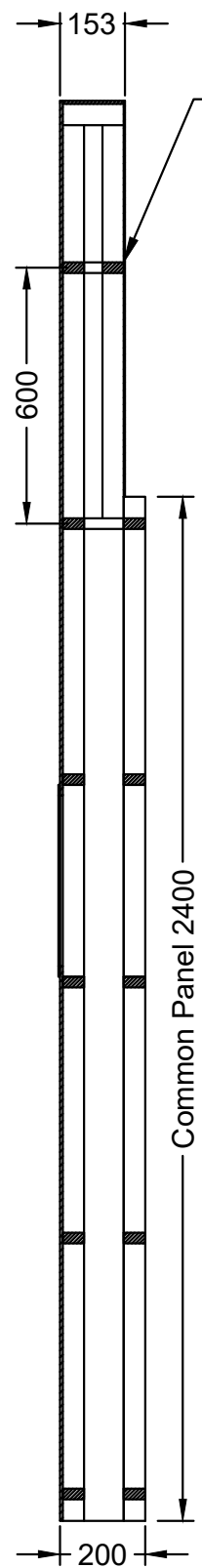
FRONT VIEW



SECTION - AA'

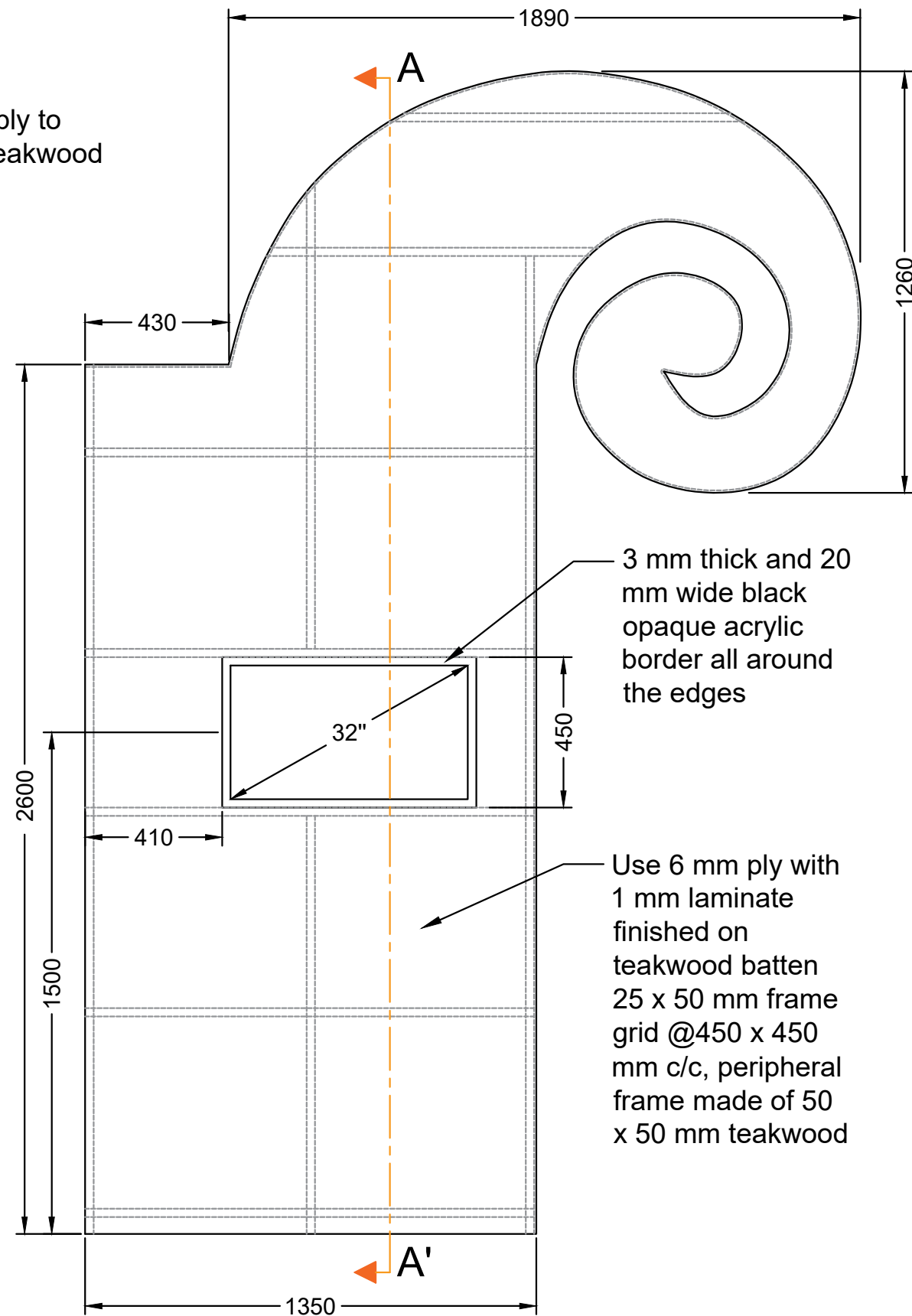


REGIONAL SCIENCE CENTER GUWAHATI		
Gallery: Indian Traditional Medicines in NE Region Section:- Ethnoveterinary Practices in NE India		
DRG. NO. RSCG/ITM-NER - 9.1	DATE 22/08/2023	SCALE Not to scale
TITLE:- Ethnoveterinary Practices in NE India		SHEET NO. 01 OF 01
DRN. BY Muktada	CKD. BY Samant Kumar Singh(Cr)	APPRD. BY Sujay Majumder(PC)

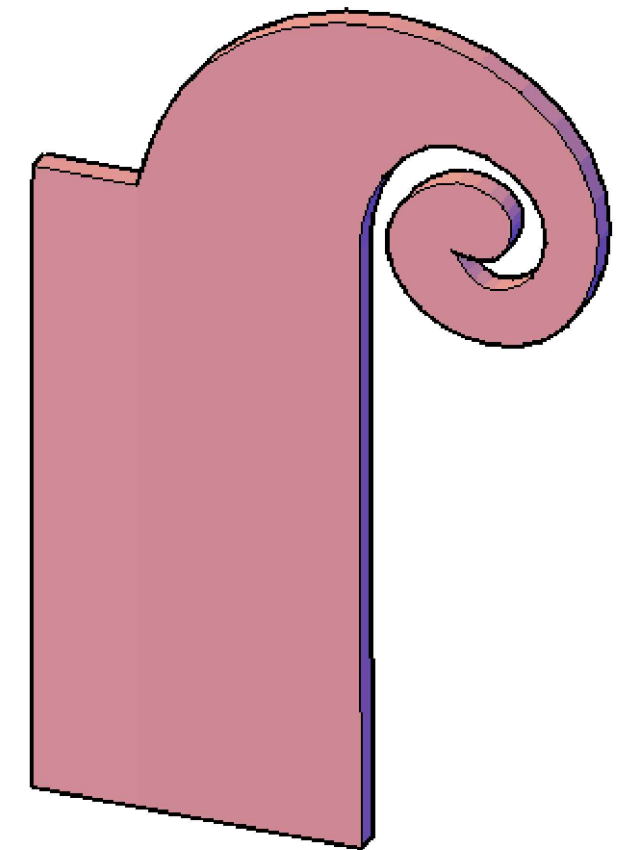


SECTION - AA'

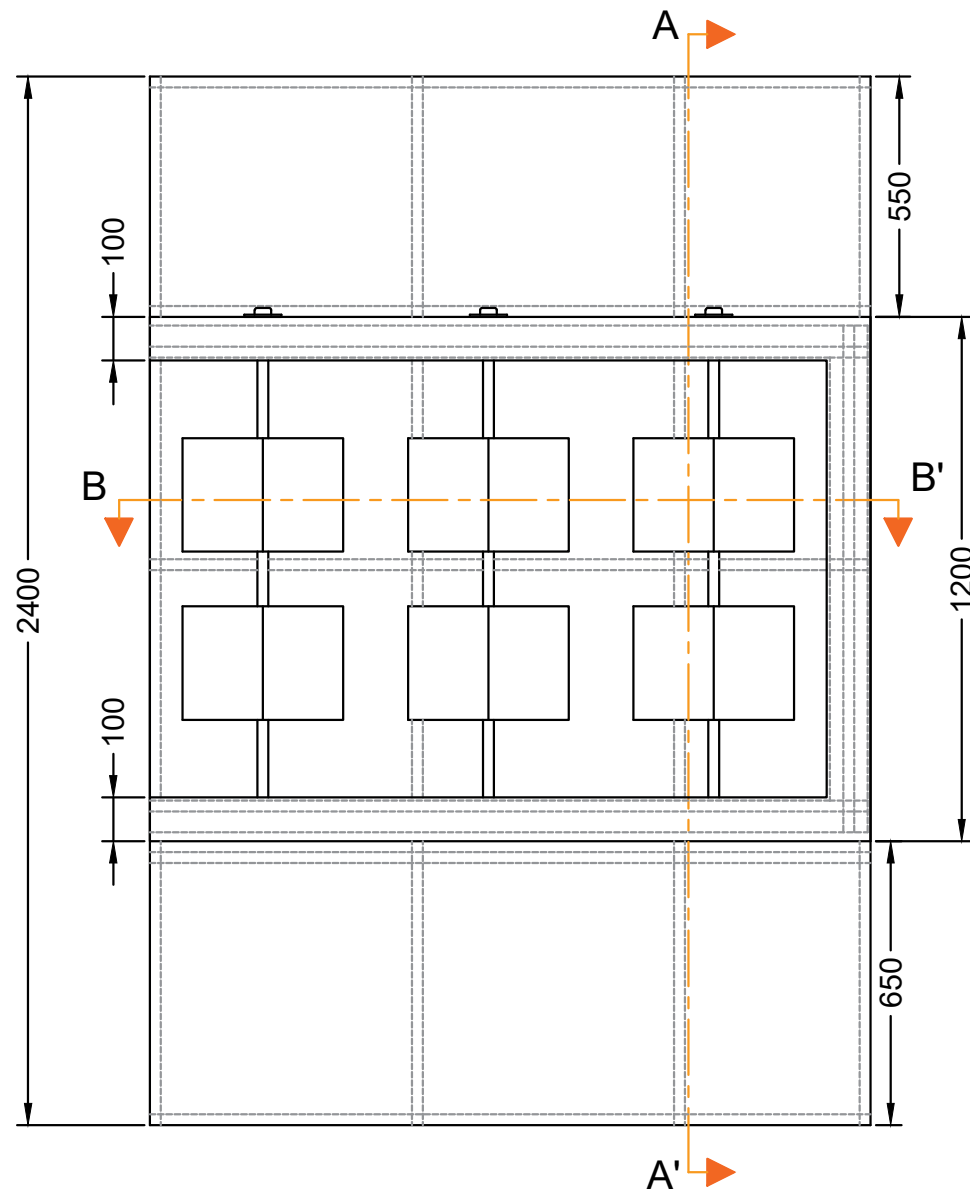
Use 3 mm ply to cover the teakwood batten



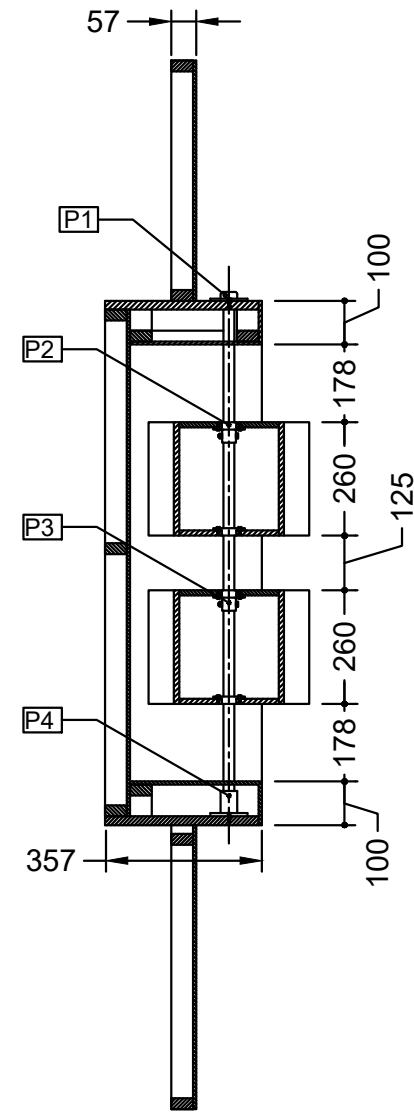
FRONT VIEW



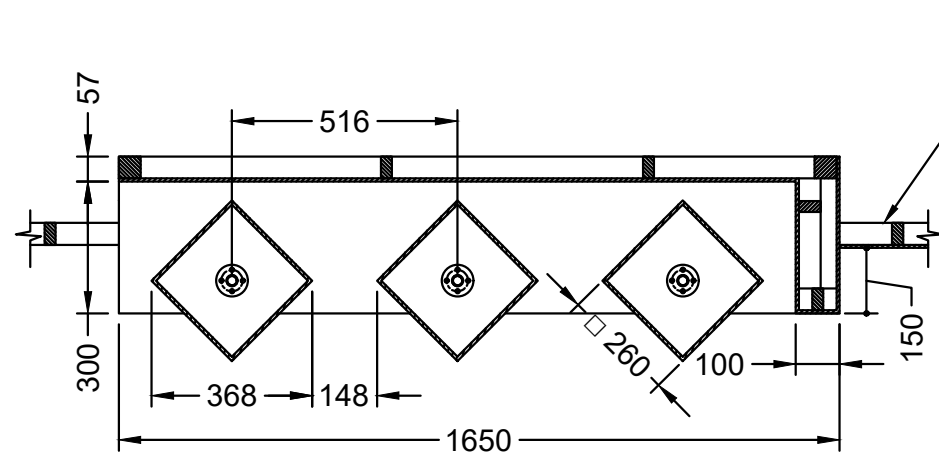
REGIONAL SCIENCE CENTER GUWAHATI		
Gallery: Indian Traditional Medicines in NE Region Section:- Community Store Houses of Medicinal Knowledge		
DRG. NO. RSCG/ITM-NER - 10.1 & 10.2	DATE 22/08/2023	SCALE Not to scale
TITLE:- Age Old Practices & Family of Traditional Healers		SHEET NO. 01 OF 01
DRN. BY Muktada	CKD. BY Samant Kumar Singh(Cr)	APPRD. BY Sujay Majumder(PC)



FRONT VIEW



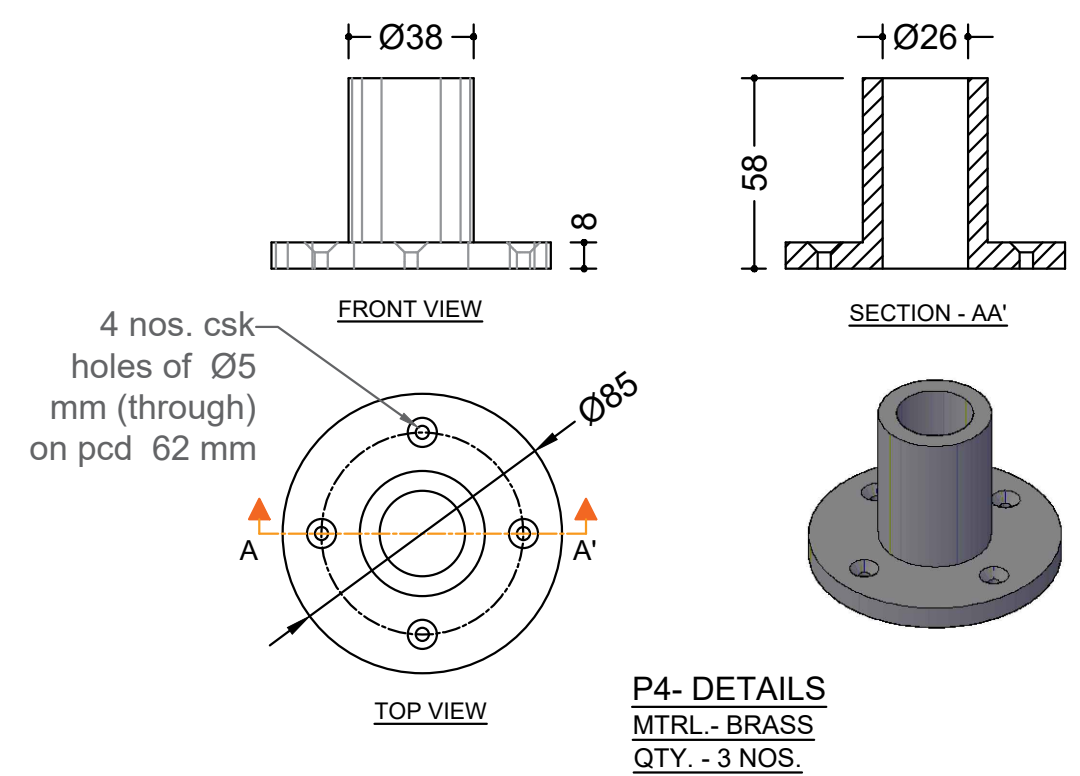
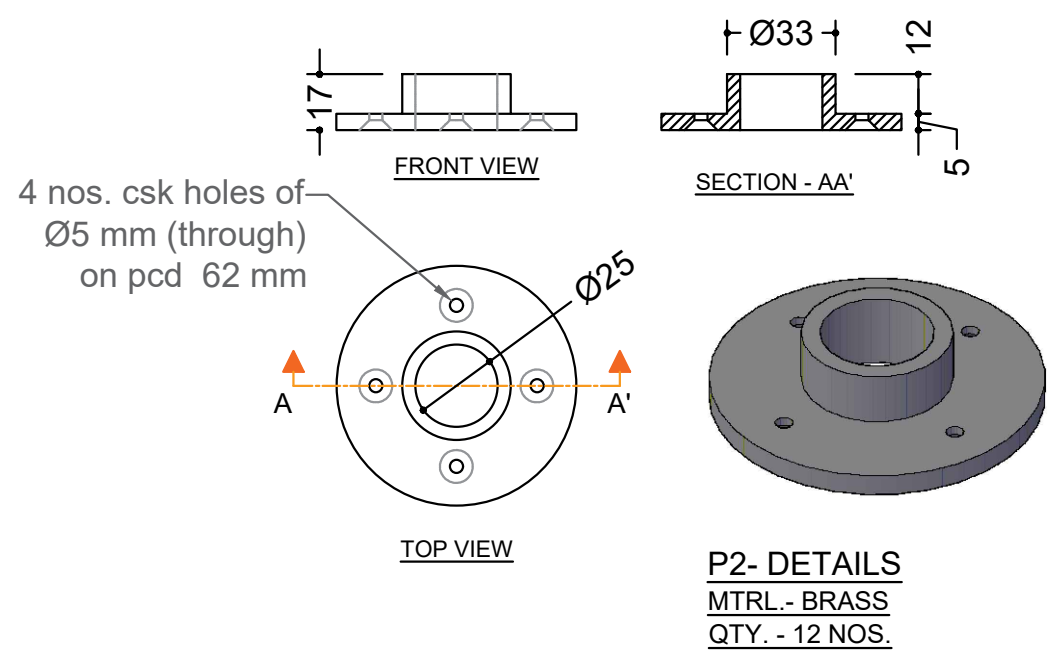
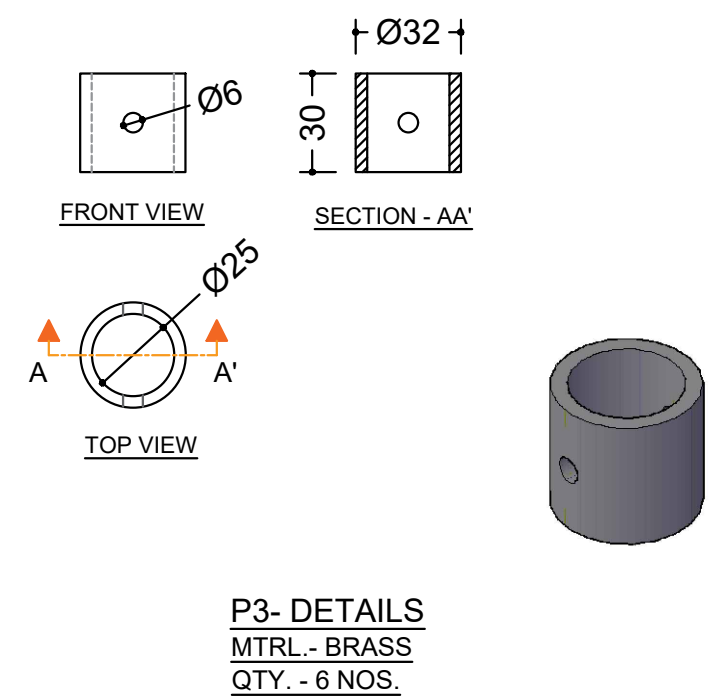
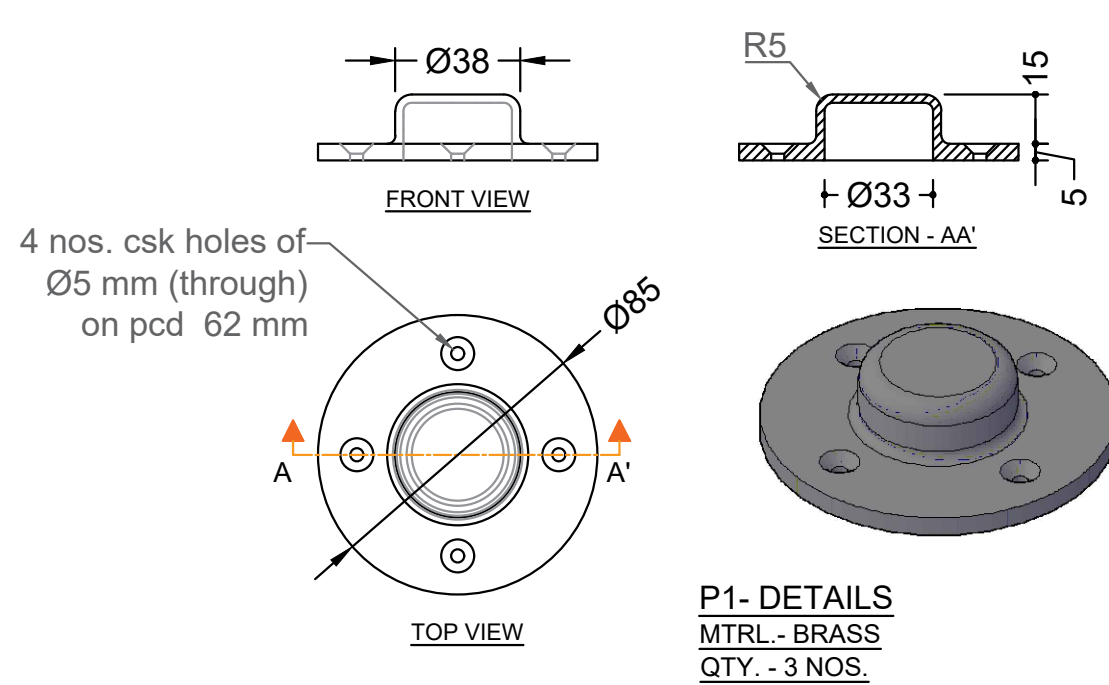
SECTION - AA'



SECTION - BB'

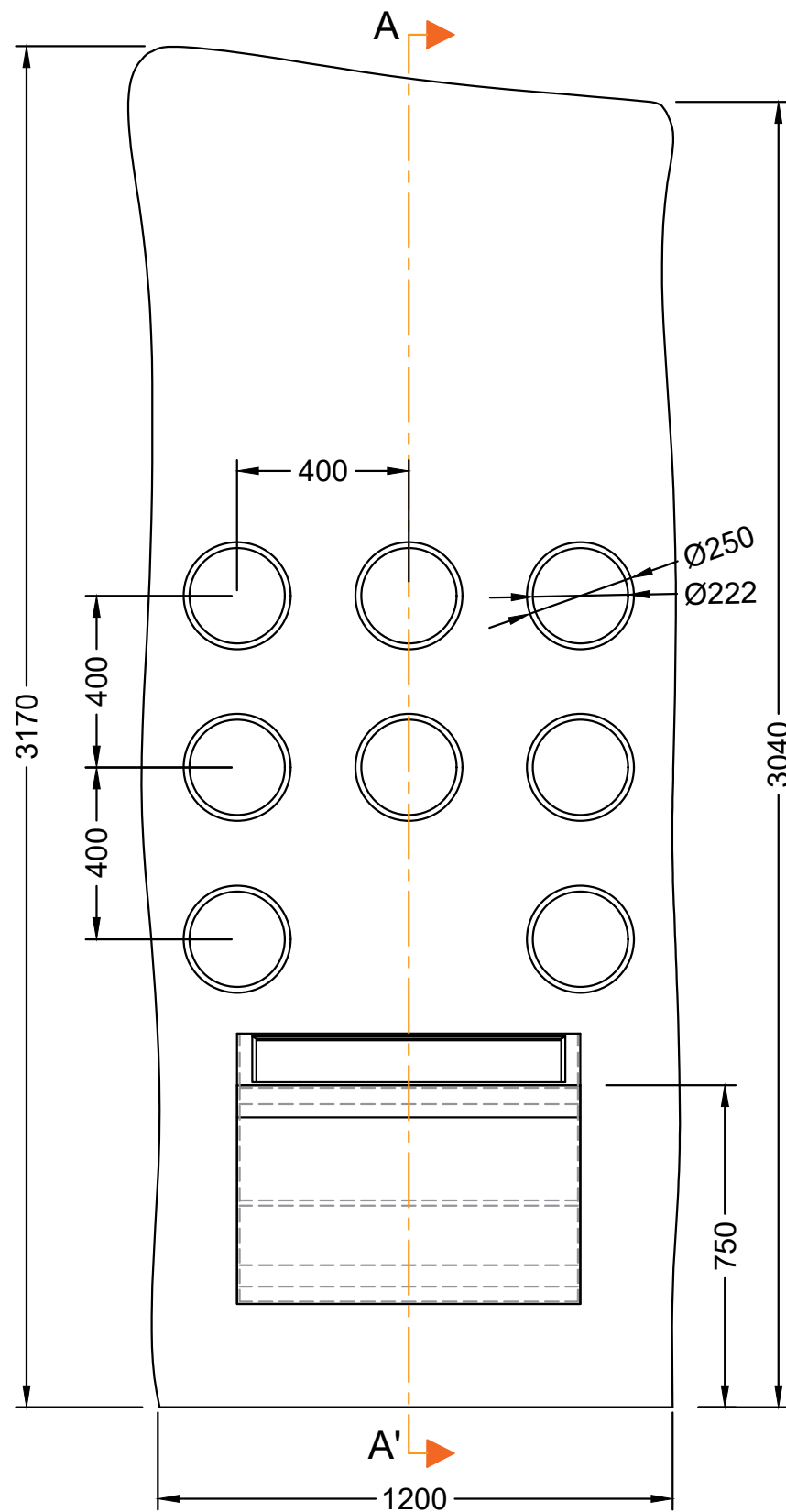
Common panel of teakwood batten 25 x 50 mm, frame grid @450 x 450 mm c/c (* 6 mm ply with 1 mm laminate finished only where required) peripheral frame made of 50 x 50 mm teakwood

REGIONAL SCIENCE CENTER GUWAHATI		
Gallery: Indian Traditional Medicines in NE Region		
Section:- Emerging and Re-emerging Diseases		
DRG. NO. RSCG/ITM-NER- 11.1	DATE 22/08/2023	SCALE Not to scale
TITLE:- Emerging Diseases in Last Few Decades		SHEET NO. 01 OF 02
DRN. BY Muktada	CKD. BY Samant Kumar Singh(Cr)	APPRD. BY Sujay Majumder(PC)



Part Details

REGIONAL SCIENCE CENTER GUWAHATI		
Gallery: Indian Traditional Medicines in NE Region		
Section:- Emerging and Re-emerging Diseases		
DRG. NO. RSCG/ITM-NER - 11.1	DATE 22/08/2023	SCALE Not to scale
TITLE:- Emerging Diseases in Last Few Decades		SHEET NO. 02 OF 02
DRN. BY Muktada	CKD. BY Samant Kumar Singh(Cr)	APPRD. BY Sujay Majumder(PC)



FRONT VIEW

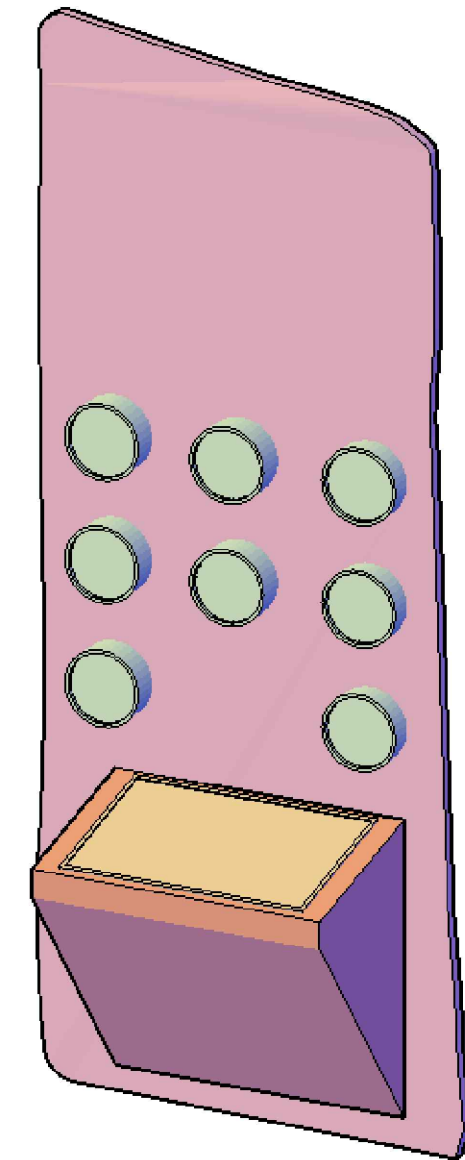
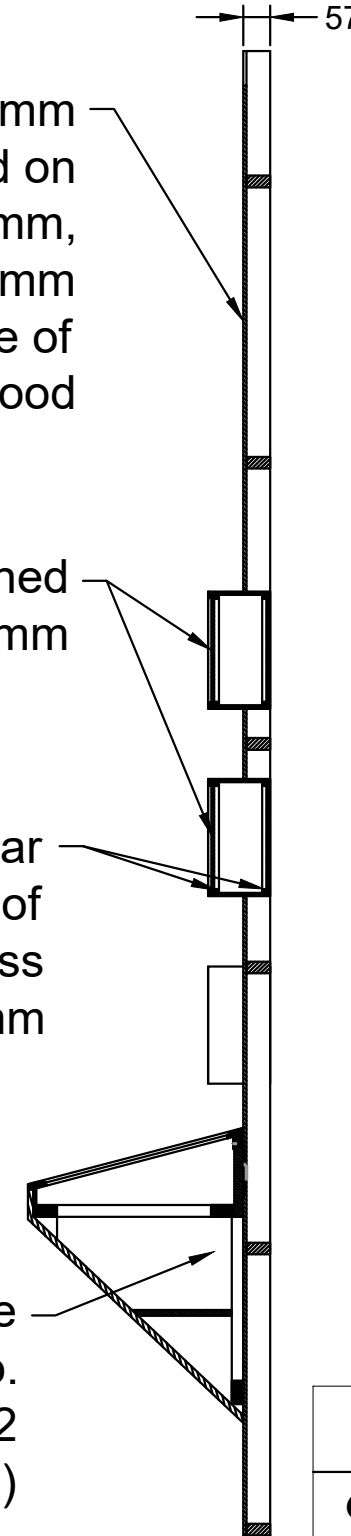
Use 6 mm ply with 1 mm laminate finished on teakwood batten 25 x 50 mm, frame grid @450 x 450 mm c/c, peripheral frame made of 50 x 50 mm teakwood

8 mm clear toughened glass of size Ø336 mm

Glass fixed with circular teakwood beading of Ø336 mm and cross section 10 x 8 mm

For part details please refer to drg. no. RSCG/ITM-NER - 12.2 (02 & 03 OF 03)

SECTION - AA'



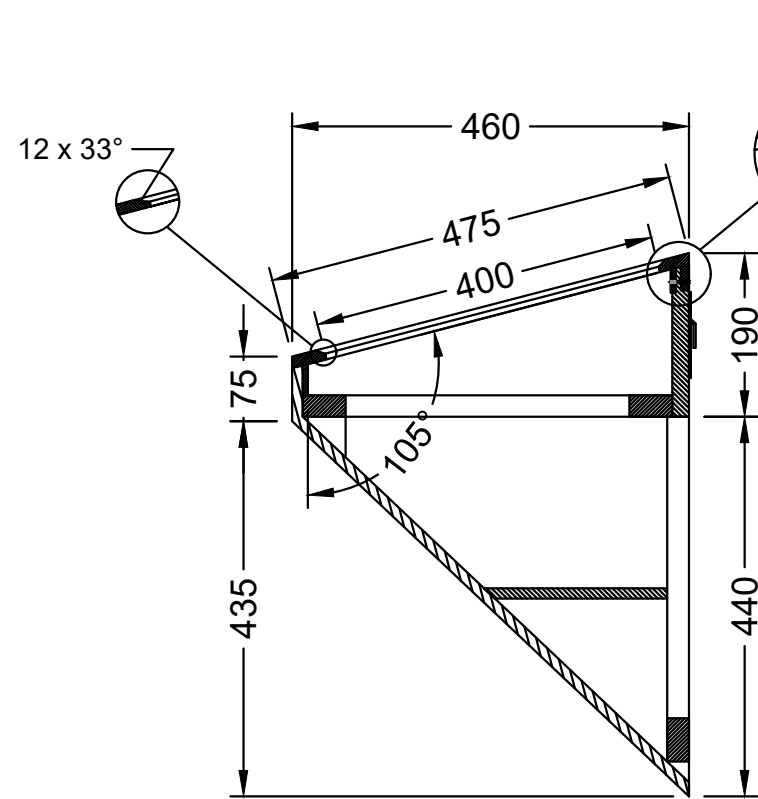
REGIONAL SCIENCE CENTER GUWAHATI

Gallery: Indian Traditional Medicines in NE Region
Section:- Rare and Threatened Species of Medicinal Plants

DRG. NO. RSCG/ITM-NER - 12.1 & 12.2	DATE 22/09/2023	SCALE Not to scale
--	--------------------	-----------------------

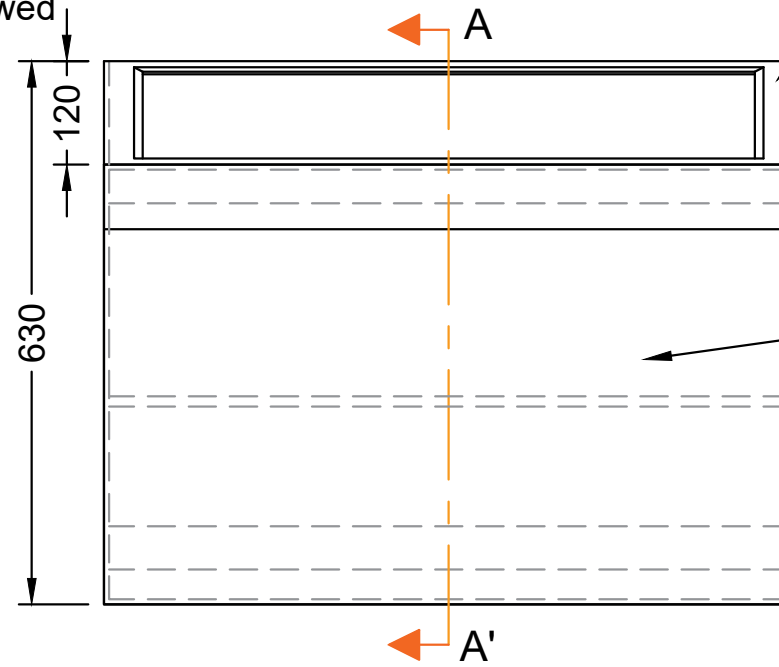
TITLE:- Classification of Common, Rare and Endangered Species & Why Some Species are Getting Extinct	SHEET NO. 01 OF 03
--	-----------------------

DRN. BY Muktada	CKD. BY Samant Kumar Singh(Cr)	APPRD. BY Sujay Majumder(PC)
--------------------	-----------------------------------	---------------------------------



SECTION-AA'

M.S Flat of size 25 x 75 mm and 6 mm thick with M6 taped thread and fixed half grooved into ply and screwed

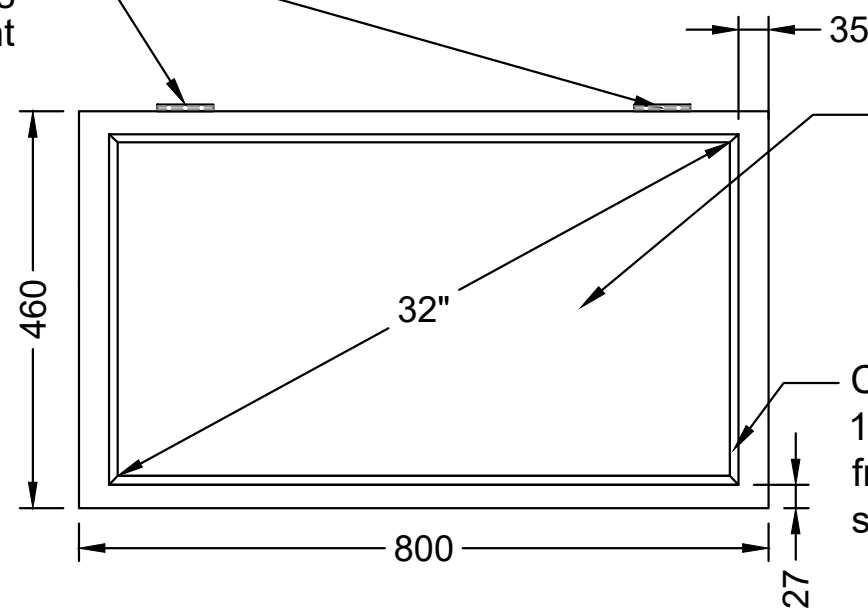


FRONT VIEW

Top cover is portable made of 12 mm ply with 1 mm laminate finished, fix with screw as shown

19 mm block board with 1 mm laminate finished use 25 x 50 mm teakwood battens to frame the structure

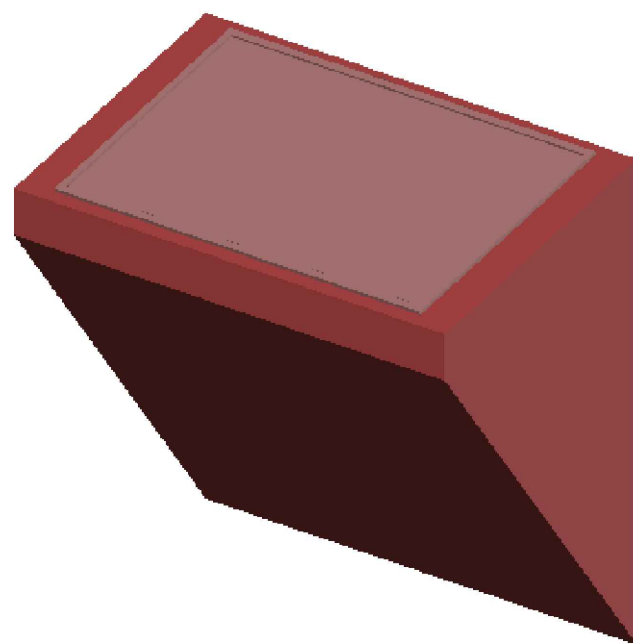
Wall mounting bracket fixing arrangement



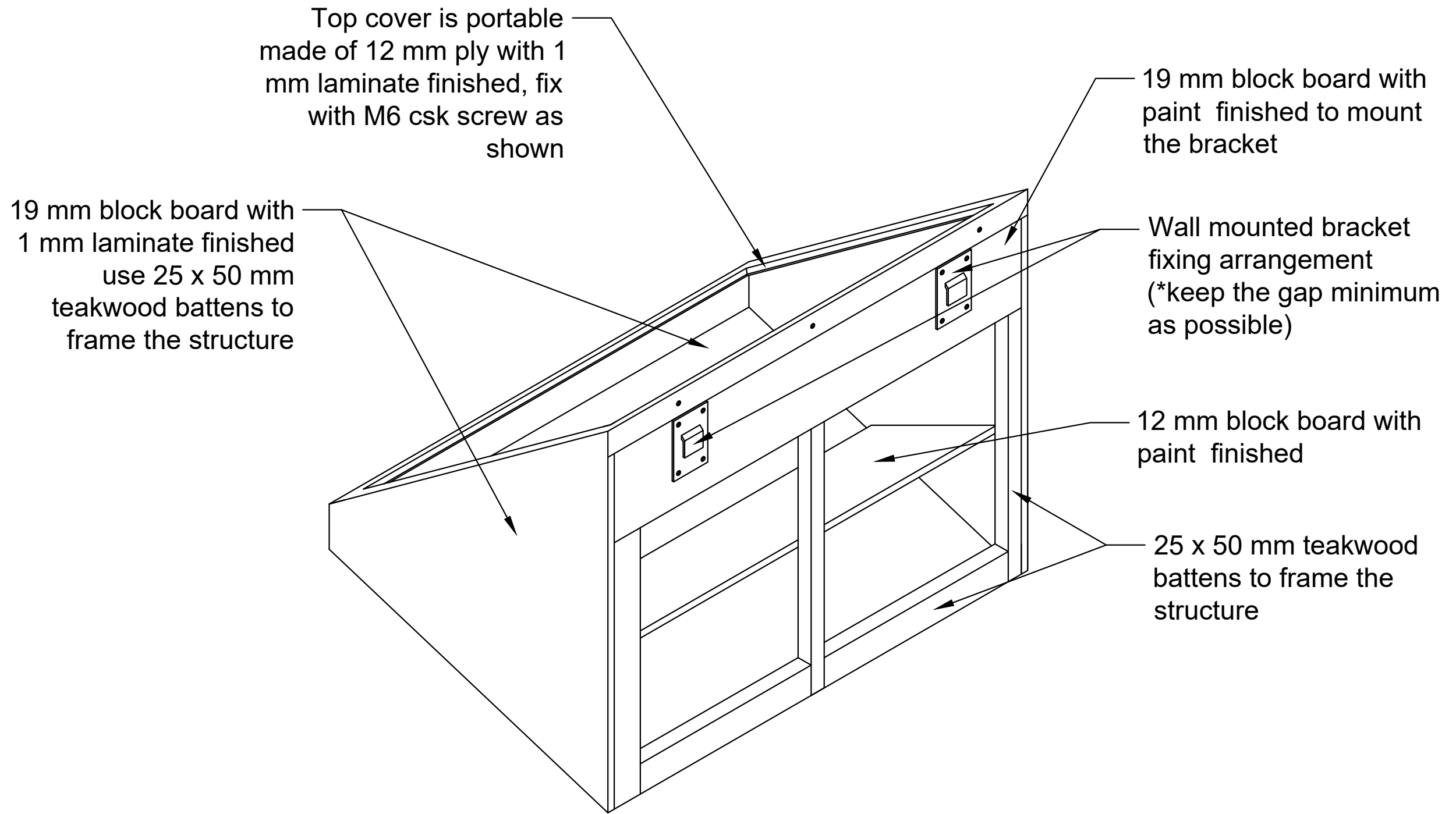
TOP VIEW

400 x 710 mm Cutout (*This cutout size is tentative the actual cutout size to be provided at site)

Chamfer the edge 10 x 17° (after 3 mm offset from the bottom surface)

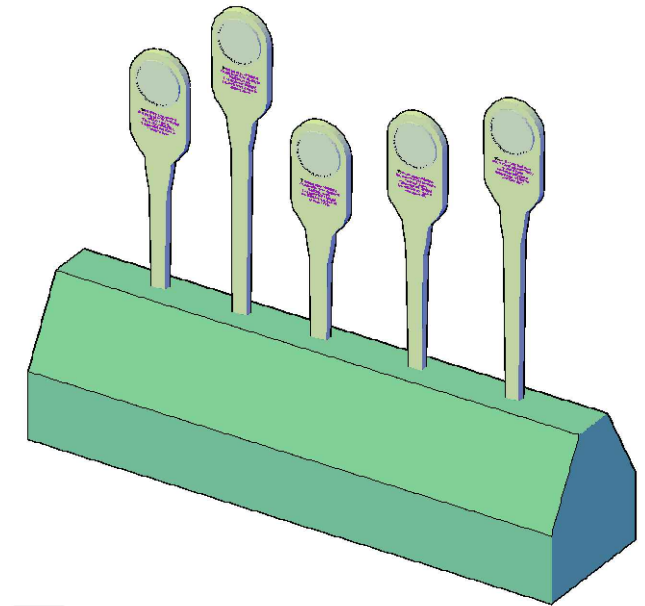
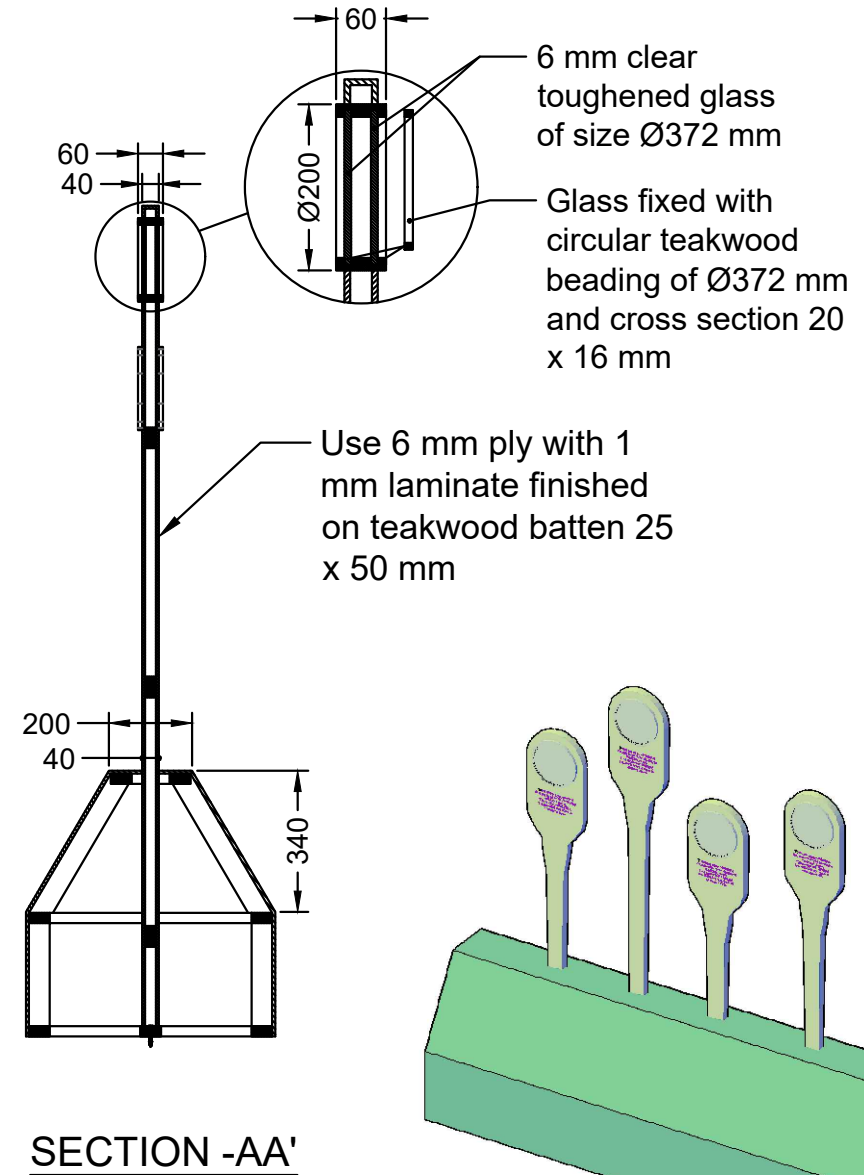
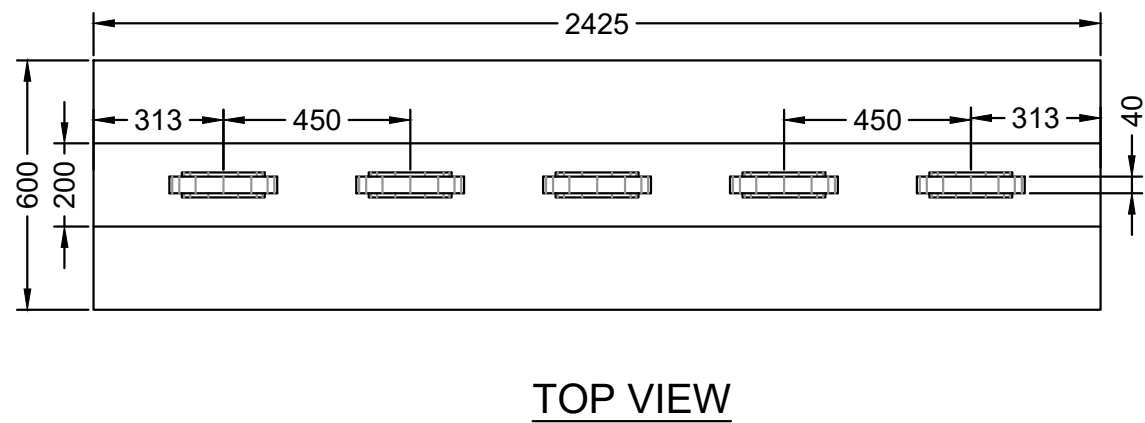
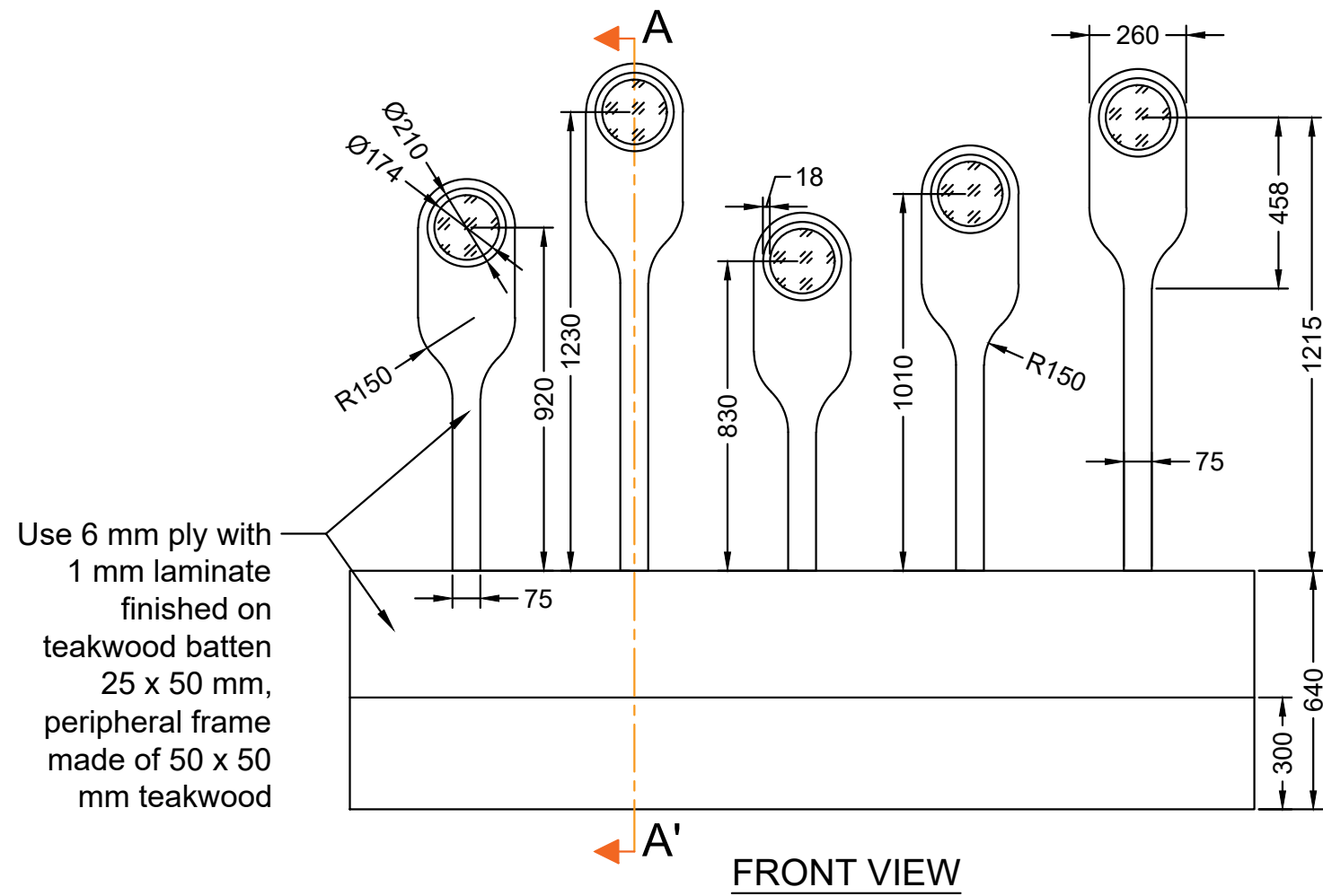


REGIONAL SCIENCE CENTER GUWAHATI		
Gallery: Indian Traditional Medicines in NE Region Section:- Rare and Threatened Species of Medicinal Plants		
DRG. NO. RSCG/ITM-NER - 12.2	DATE 22/09/2023	SCALE Not to scale
TITLE:- Why Some Species are Getting Extinct		SHEET NO. 02 OF 03
DRN. BY Muktada	CKD. BY Samant Kumar Singh(Cr)	APPRD. BY Sujay Majumder(PC)



ISOMETRIC VIEW

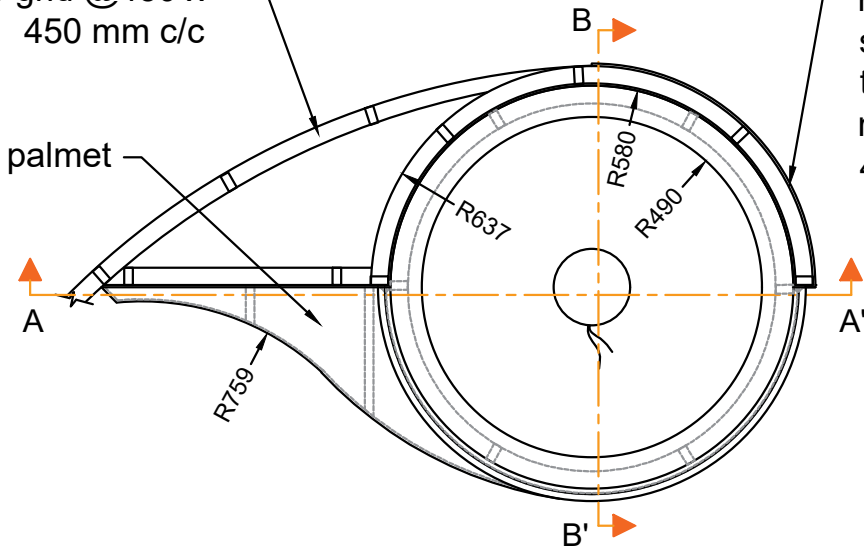
REGIONAL SCIENCE CENTER GUWAHATI		
Gallery: Indian Traditional Medicines in NE Region Section:- Rare and Threatened Species of Medicinal Plants		
DRG. NO. RSCG/ITM-NER - 12.2	DATE 22/09/2023	SCALE Not to scale
TITLE:- Why Some Species are Getting Extinct		SHEET NO. 03 OF 03
DRN. BY Muktada	CKD. BY Samant Kumar Singh(Cr)	APPRD. BY Sujay Majumder(PC)



REGIONAL SCIENCE CENTER GUWAHATI		
Gallery: Indian Traditional Medicines in NE Region Section:- Cultivation of Medicinal Plants		
DRG. NO. RSCG/ITM-NER - 13.1 & 13.2	DATE 22/08/2023	SCALE Not to scale
TITLE:- Impact Factors & Challenges and Opportunities		SHEET NO. 01 OF 01
DRN. BY Muktada	CKD. BY Samant Kumar Singh(Cr)	APPRD. BY Sujoy Majumder(PC)

Common panel of teakwood batten 25 x 50 mm, frame grid @450 x 450 mm c/c

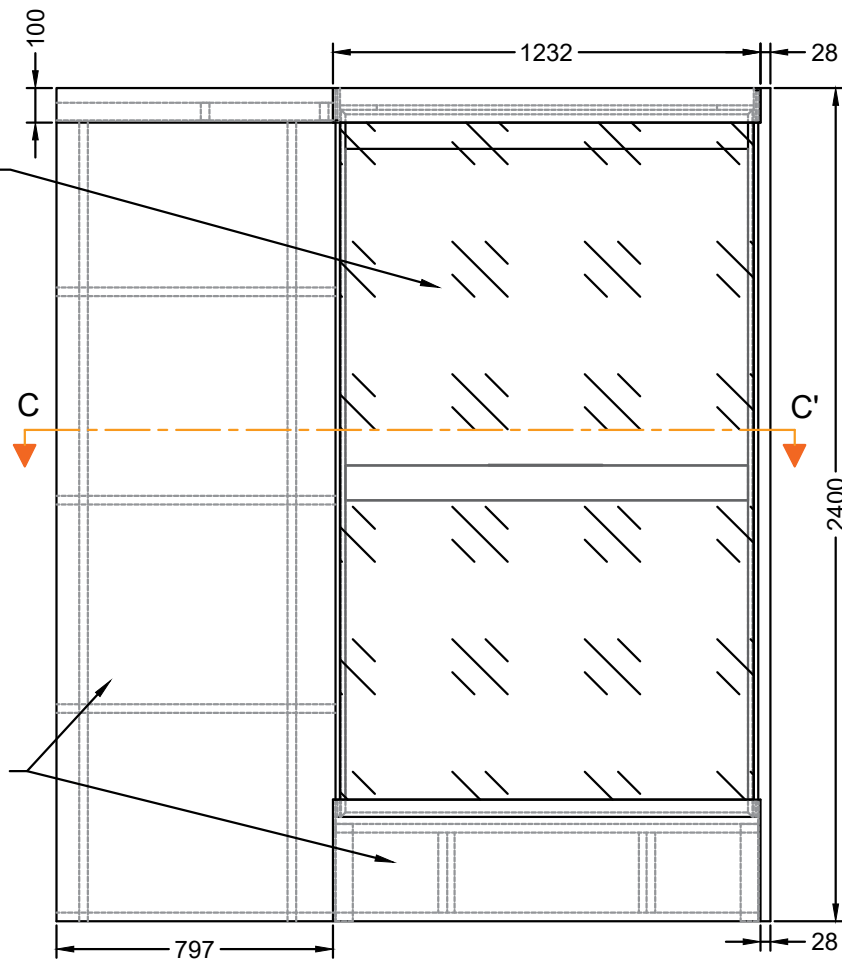
palmet



Use 6 mm flexi ply with 1 mm laminate finished (both side on visible portion) on teakwood batten 25 x 50 mm, frame grid @450 x 450 mm c/c

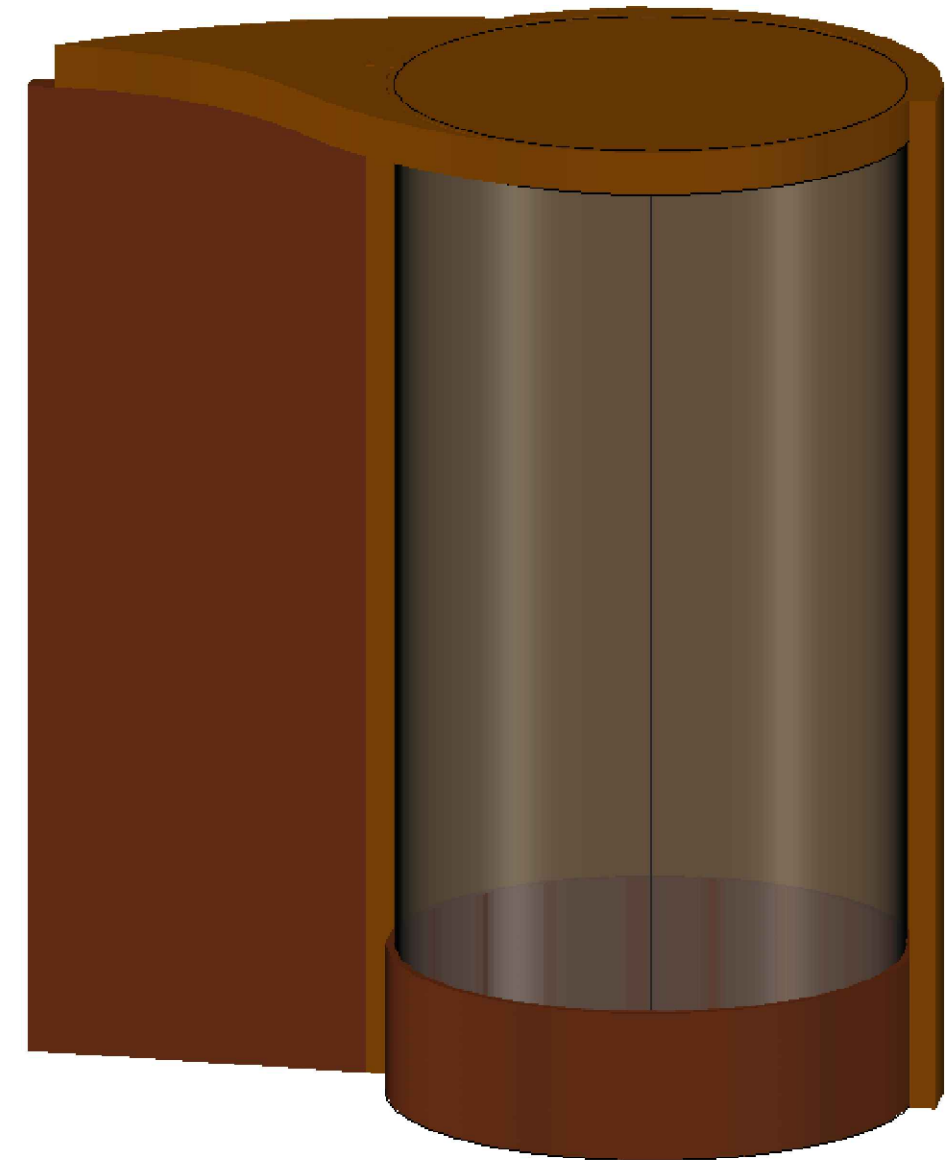
TOP VIEW

Use 3 mm clear poly. carbonate sheet fixed with 20 mm teakwood beading with sand and paint finished as per laminate shade



Use 6 mm ply with 1 mm laminate finished on teakwood batten 25 x 50 mm, frame grid @450 x 450 mm c/c, peripheral frame made of 50 x 50 mm teakwood

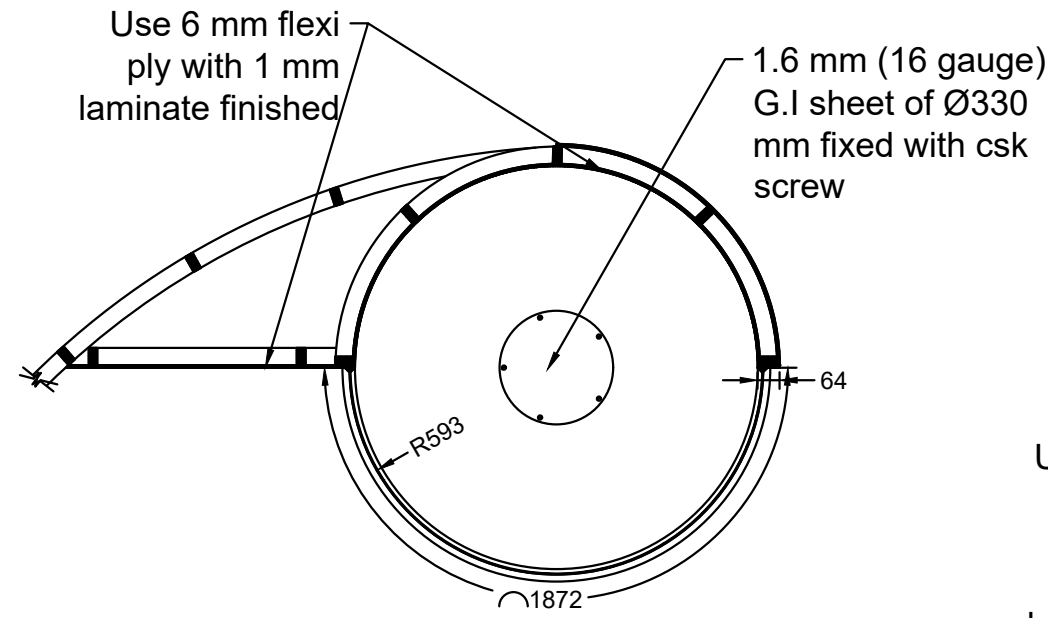
FRONT VIEW



REGIONAL SCIENCE CENTER GUWAHATI

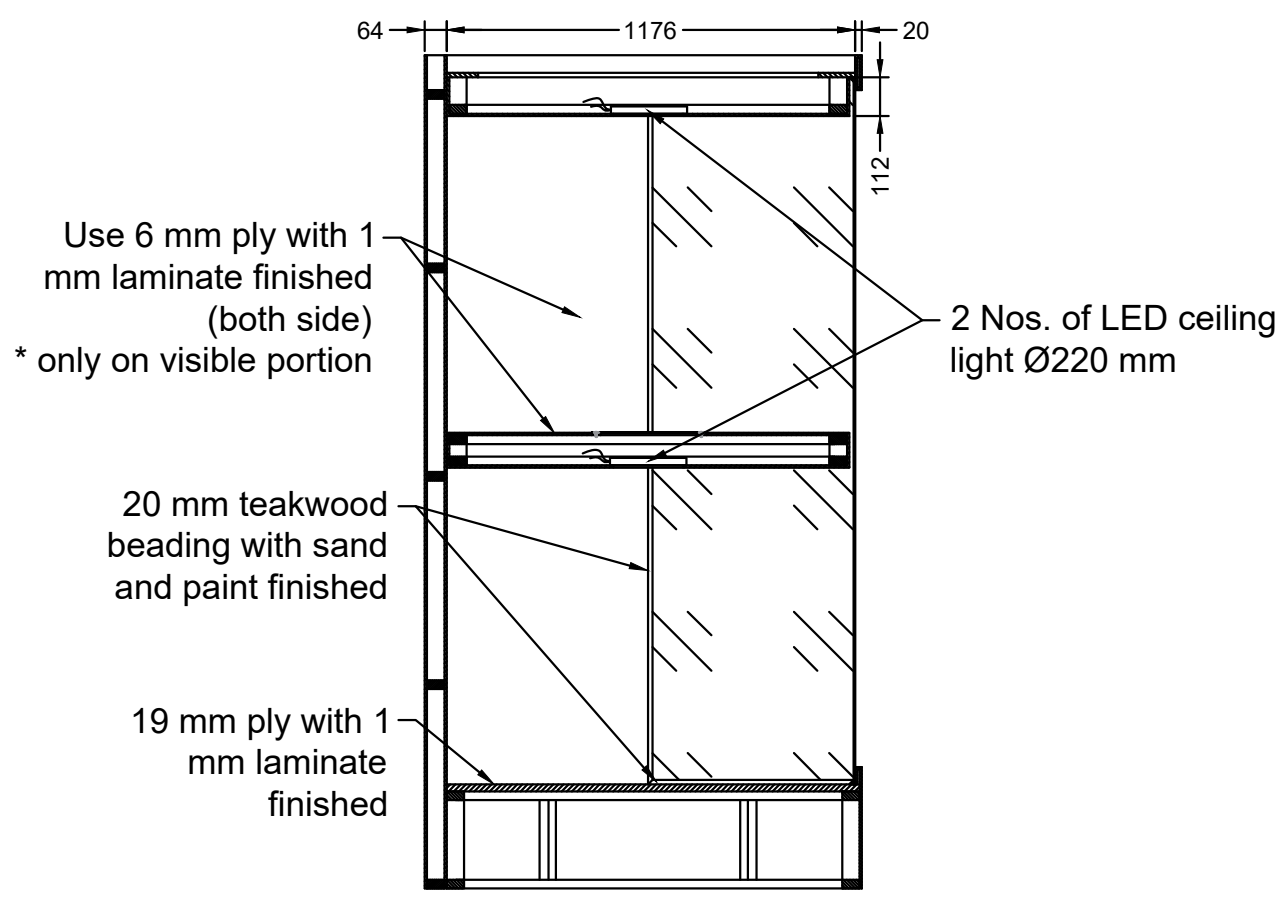
Gallery: Indian Traditional Medicines in NE Region
Section:- Conservation of Medicinal Plants

DRG. NO. RSCG/ITM-NER - 14.1 & 14.2	DATE 22/08/2023	SCALE Not to scale
TITLE:- In-situ Conservation & Ex-situ conservation		SHEET NO. 01 OF 02
DRN. BY Muktada	CKD. BY Samant Kumar Singh(Cr)	APPRD. BY Sujay Majumder(PC)

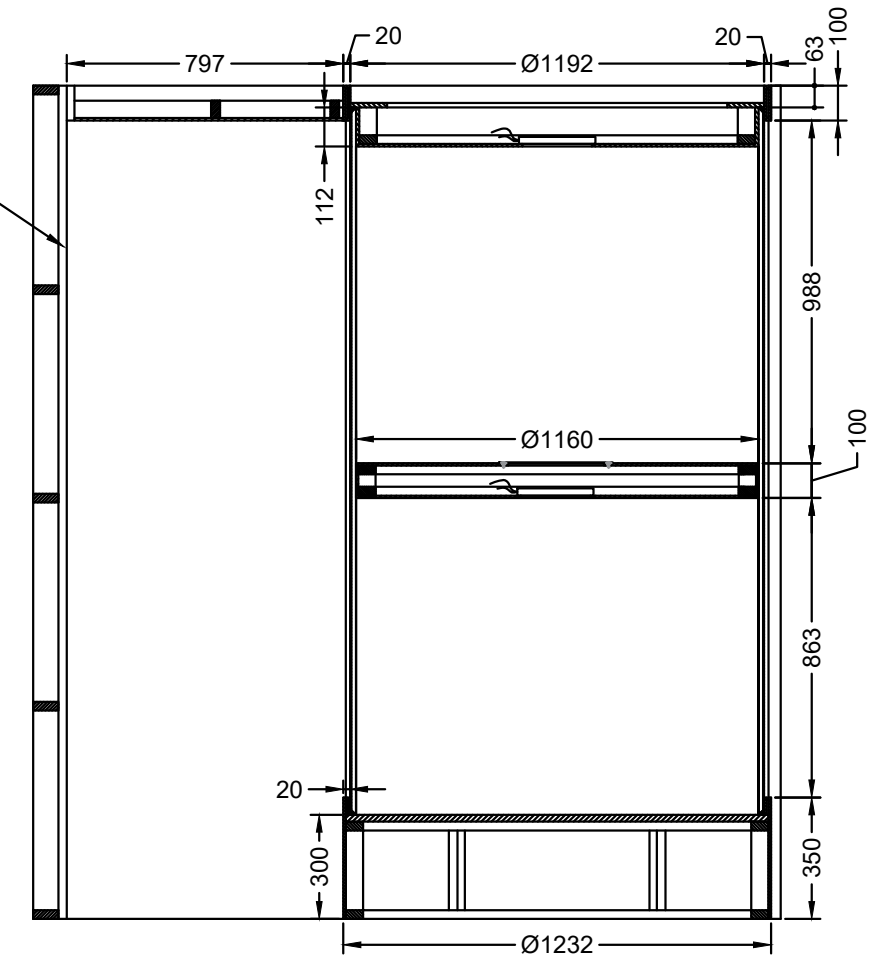


SECTION - CC'

Use 6 mm flexi ply with 1 mm laminate finished (both side on visible portion) on teakwood batten 25 x 50 mm, frame grid @450 x 450 mm c/c

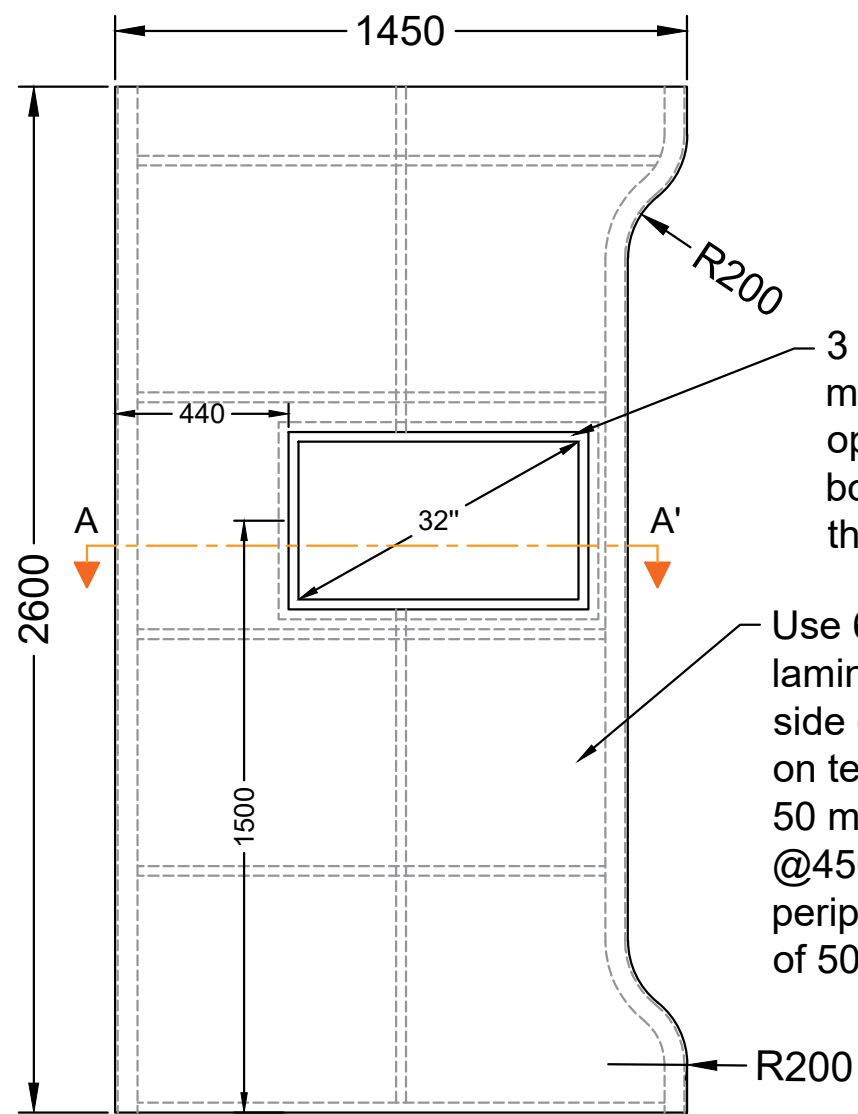


SECTION - BB'

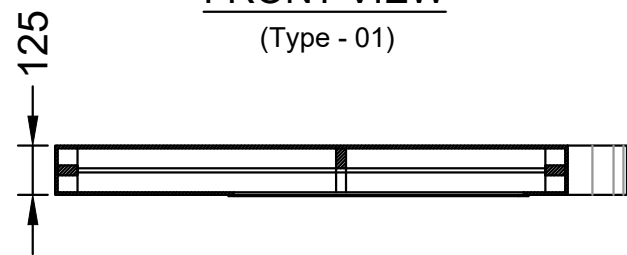


SECTION - AA'

REGIONAL SCIENCE CENTER GUWAHATI		
Gallery: Indian Traditional Medicines in NE Region Section:- Conservation of Medicinal Plants		
DRG. NO. RSCG/ITM-NER - 14.1 & 14.2	DATE 22/08/2023	SCALE Not to scale
TITLE:- In-situ Conservation & Ex-situ conservation		SHEET NO. 02 OF 02
DRN. BY Muktada	CKD. BY Samant Kumar Singh(Cr)	APPRD. BY Sujay Majumder(PC)



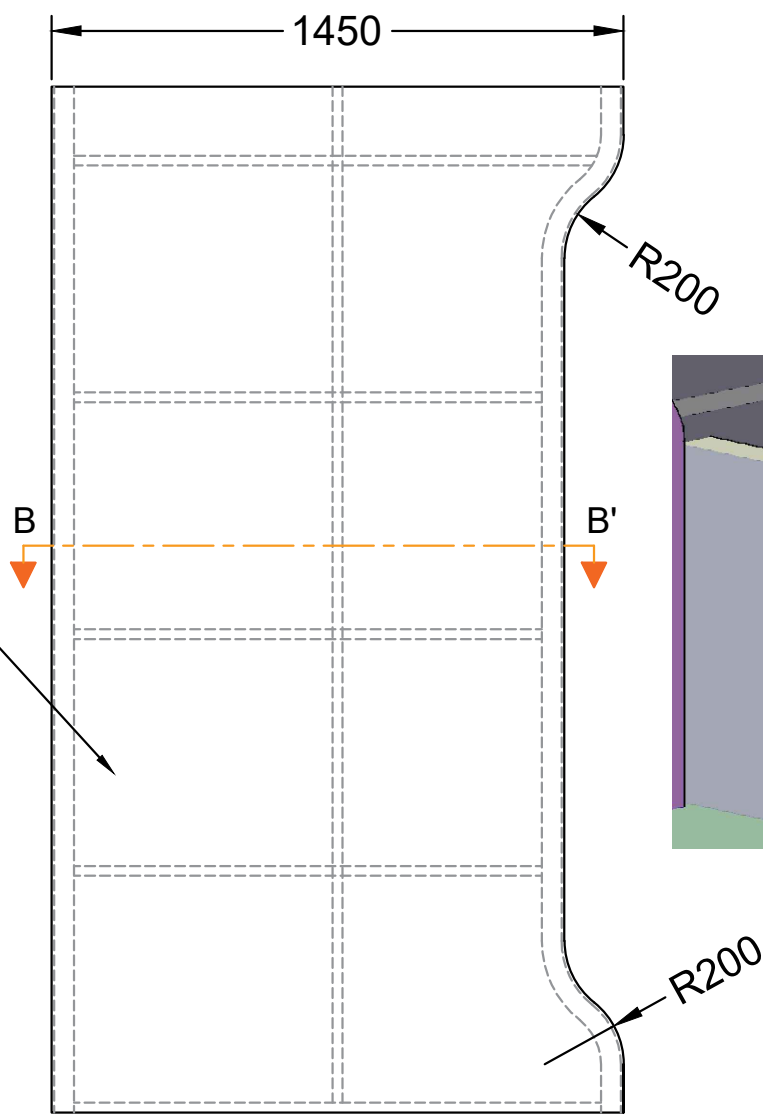
FRONT VIEW
(Type - 01)



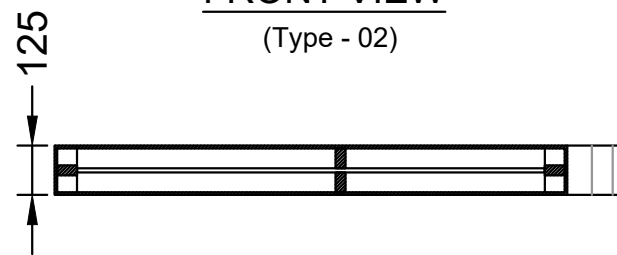
SECTION - AA'

3 mm thick and 20 mm wide black opaque acrylic border all around the edges

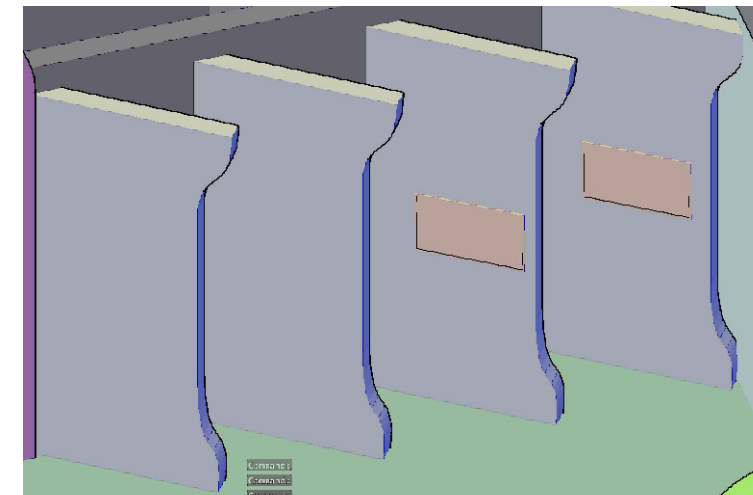
Use 6 mm ply with 1 mm laminate finished (both side on visible portion) on teakwood batten 25 x 50 mm, frame grid @450 x 450 mm c/c, peripheral frame made of 50 x 50 mm teakwood



FRONT VIEW
(Type - 02)



SECTION - BB'

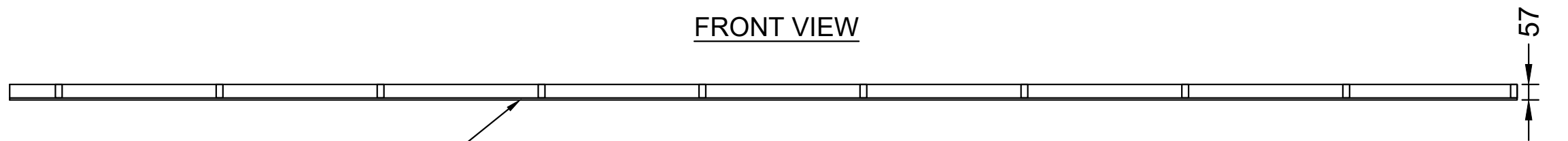


Qty. = 2 Nos. Each
Total 4 nos.

REGIONAL SCIENCE CENTER GUWAHATI		
Gallery: Indian Traditional Medicines in NE Region Section:- Commercial Manufacturing and Trade		
DRG. NO. RSCG/ITM-NER - 15.1 to 15.4	DATE 22/08/2023	SCALE Not to scale
TITLE:- Scientific Validation of Herbal Medicines and others		SHEET NO. 01 OF 03
DRN. BY Muktada	CKD. BY Samant Kumar Singh(Cr)	APPRD. BY Sujay Majumder(PC)



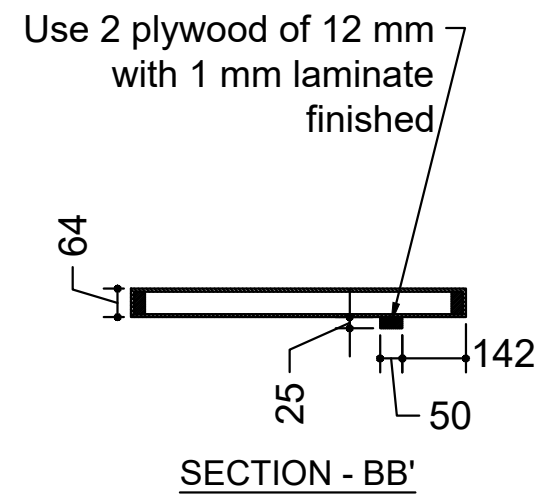
FRONT VIEW



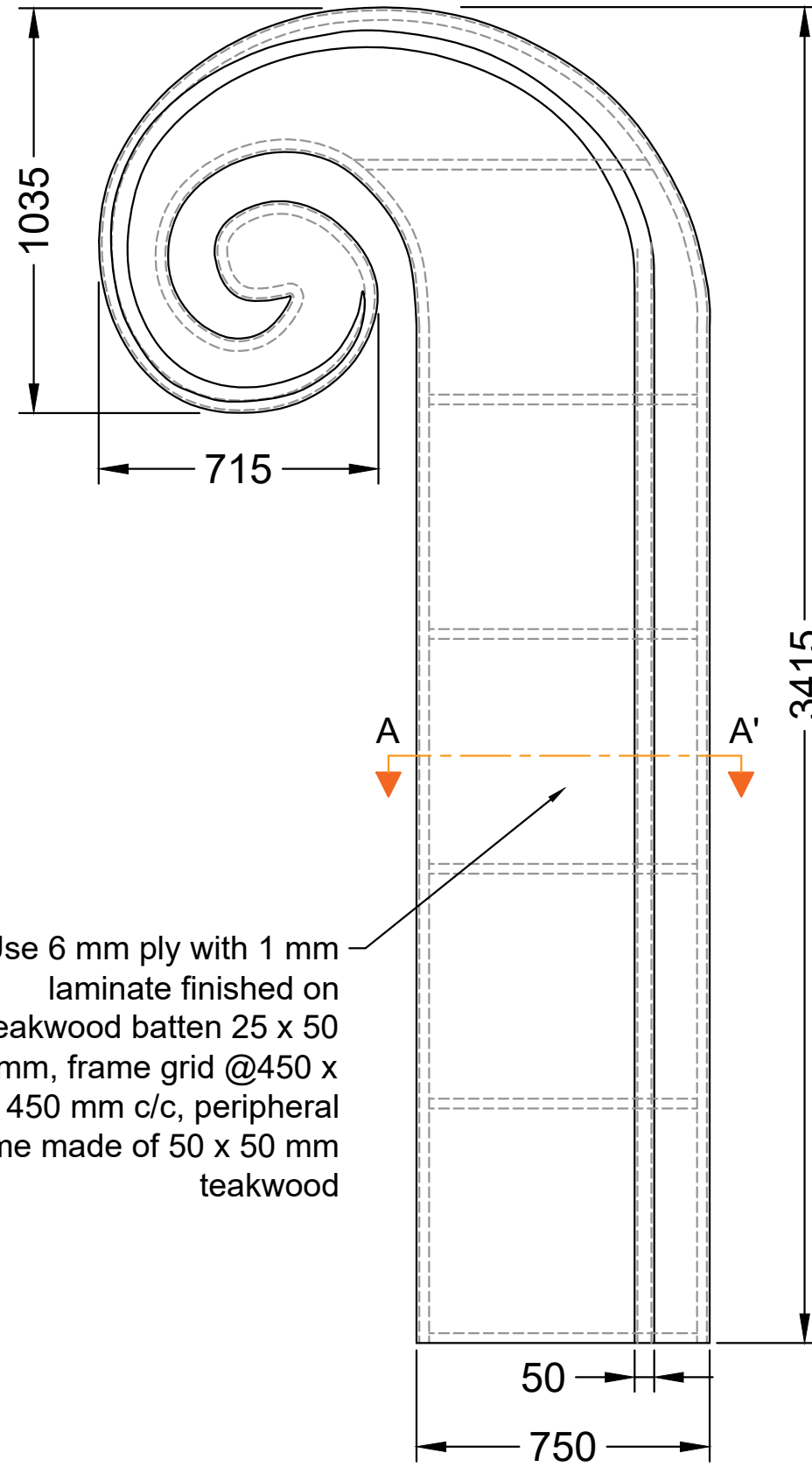
TOP VIEW

Use 6 mm ply with 1 mm laminate finished on teakwood batten 25 x 50 mm, frame grid @450 x 450 mm c/c, peripheral frame made of 50 x 50 mm teakwood

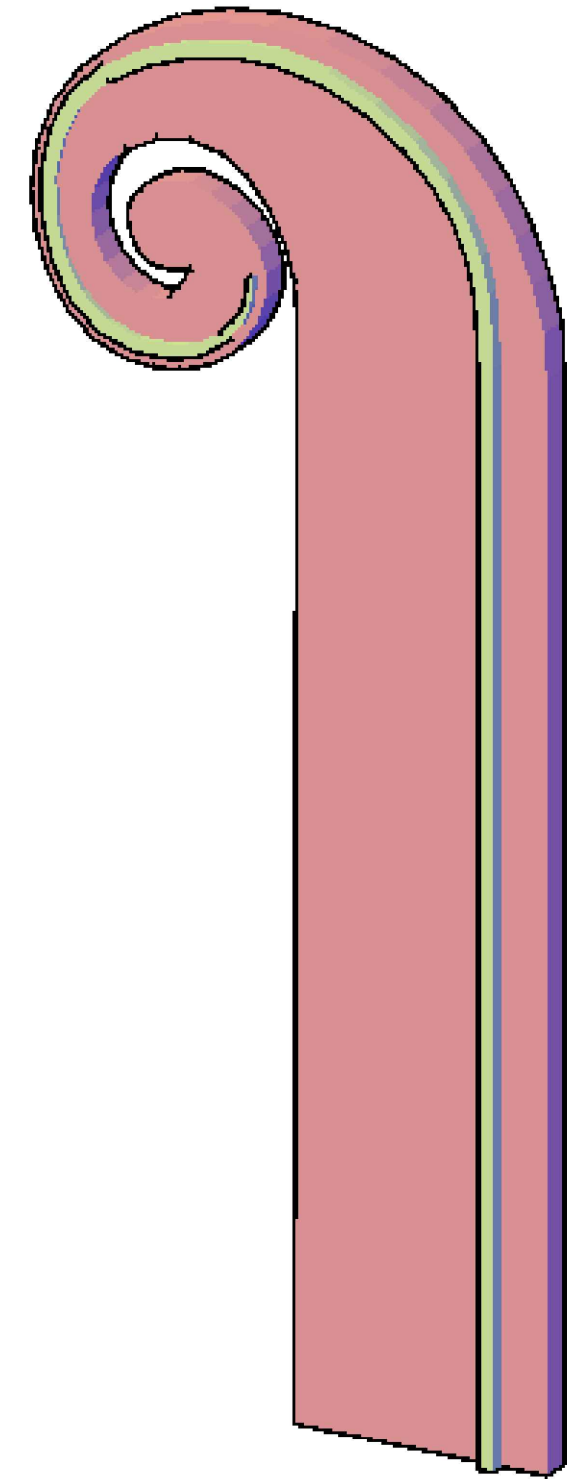
REGIONAL SCIENCE CENTER GUWAHATI		
Gallery: Indian Traditional Medicines in NE Region Section:- Commercial Manufacturing and Trade		
DRG. NO. RSCG/ITM-NER - 15.1 to 15.4	DATE 22/08/2023	SCALE Not to scale
TITLE:- Scientific Validation of Herbal Medicines and others		SHEET NO. 02 OF 03
DRN. BY Muktada	CKD. BY Samant Kumar Singh(Cr)	APPRD. BY Sujoy Majumder(PC)



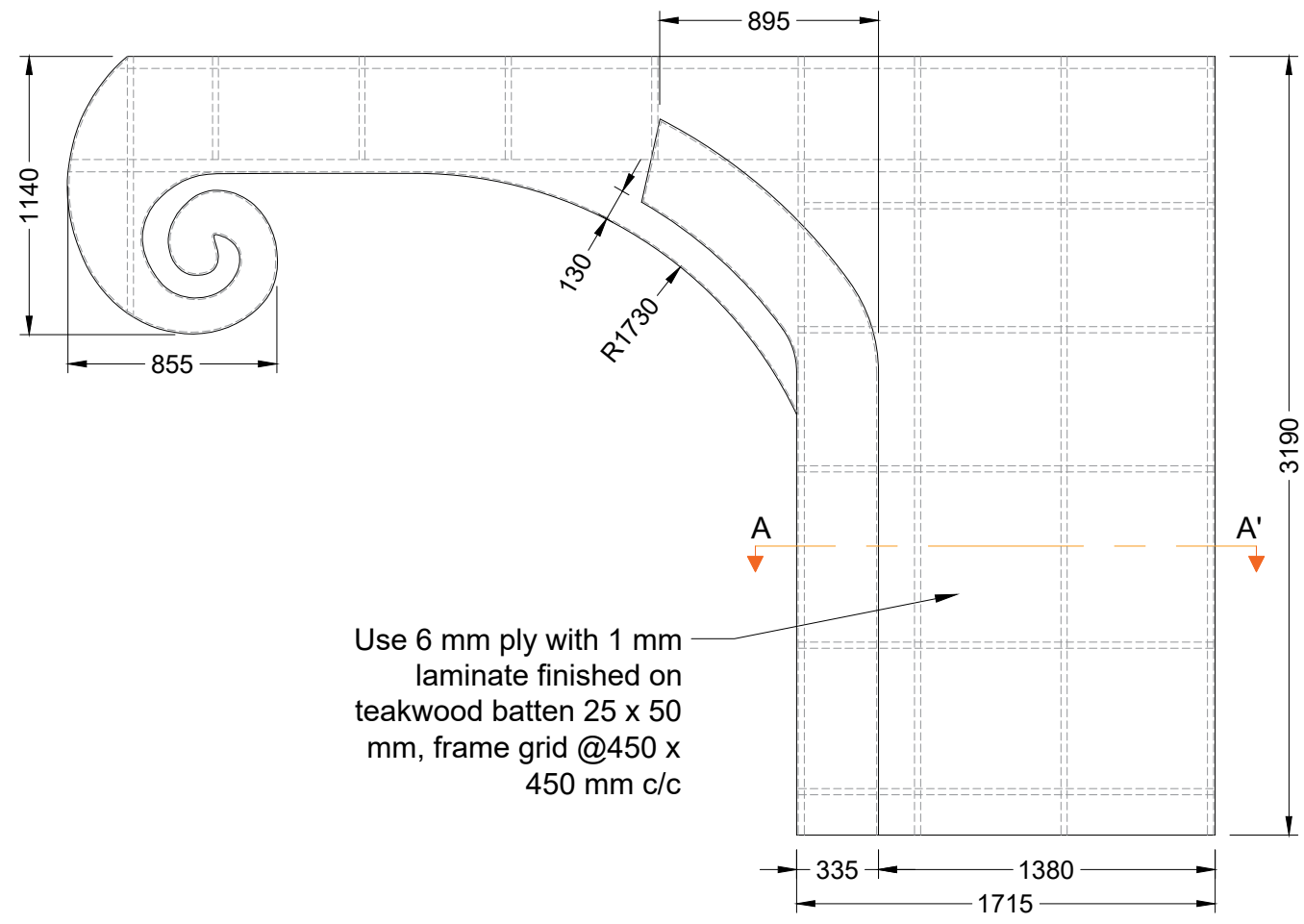
Use 6 mm ply with 1 mm laminate finished on teakwood batten 25 x 50 mm, frame grid @450 x 450 mm c/c, peripheral frame made of 50 x 50 mm teakwood



FRONT VIEW

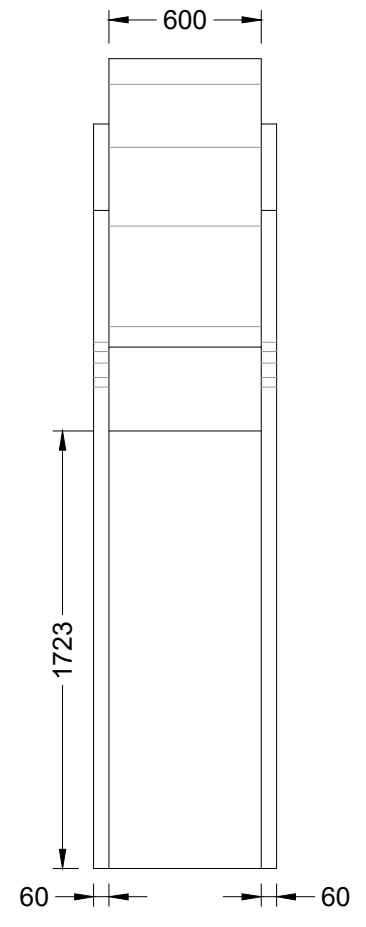


REGIONAL SCIENCE CENTER GUWAHATI		
Gallery: Indian Traditional Medicines in NE Region Section:- Commercial Manufacturing and Trade		
DRG. NO. RSCG/ITM-NER - 15.1 to 15.4	DATE 22/08/2023	SCALE Not to scale
TITLE:- Scientific Validation of Herbal Medicines and others		SHEET NO. 03 OF 03
DRN. BY Muktada	CKD. BY Samant Kumar Singh(Cr)	APPRD. BY Sujay Majumder(PC)

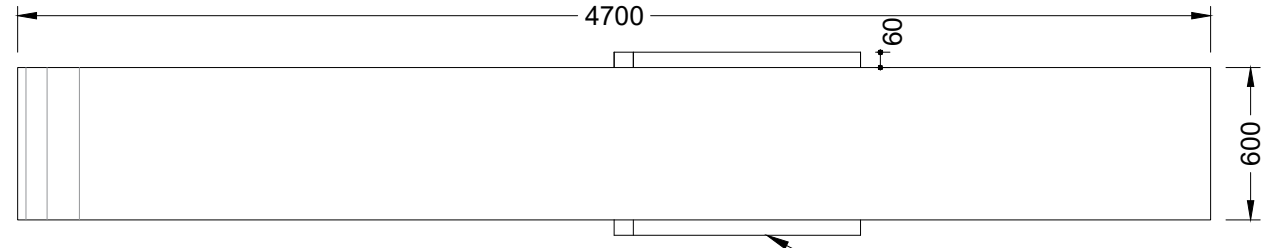
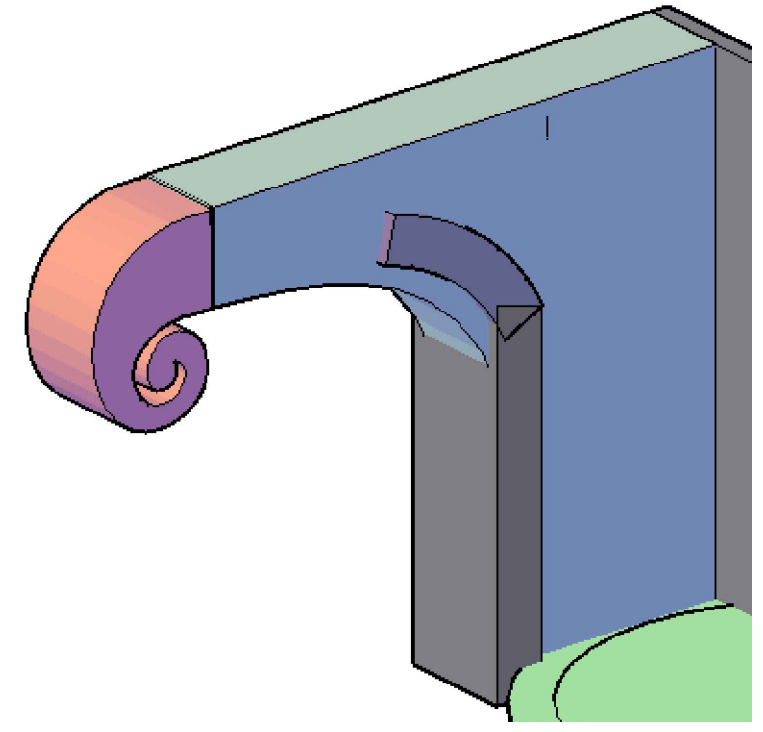


Use 6 mm ply with 1 mm laminate finished on teakwood batten 25 x 50 mm, frame grid @450 x 450 mm c/c

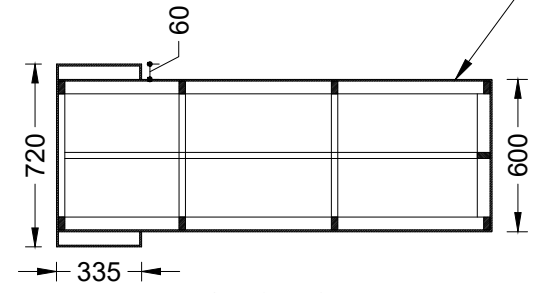
FRONT VIEW



SIDE VIEW



TOP VIEW

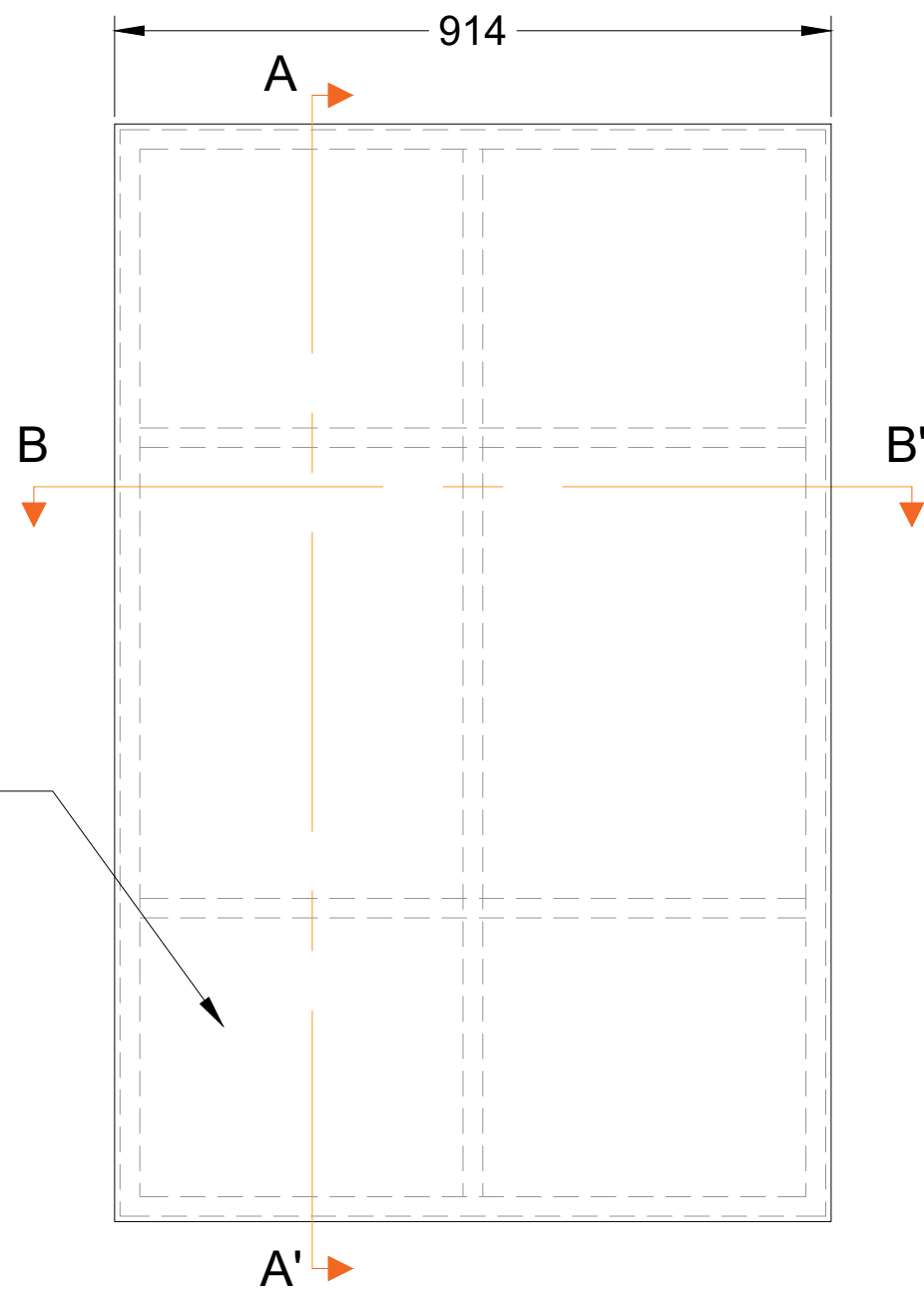


SECTION-AA'

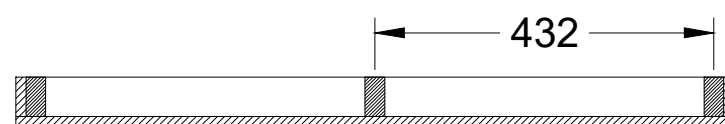
Use 6 mm ply with 1 mm laminate finished on teakwood batten 25 x 50 mm, frame grid @450 x 450 mm c/c

REGIONAL SCIENCE CENTER GUWAHATI		
Gallery: Indian Traditional Medicines in NE Region		
Section:- Indian Herbal Drugs Scenario in Global Perspectives		
DRG. NO. RSCG/ITM-NER- 16.1	DATE 22/08/2023	SCALE Not to scale
TITLE:- WHO and Its Guidelines		SHEET NO. 01 OF 01
DRN. BY Muktada	CKD. BY Samant Kumar Singh(Cr)	APPRD. BY Sujay Majumder(PC)

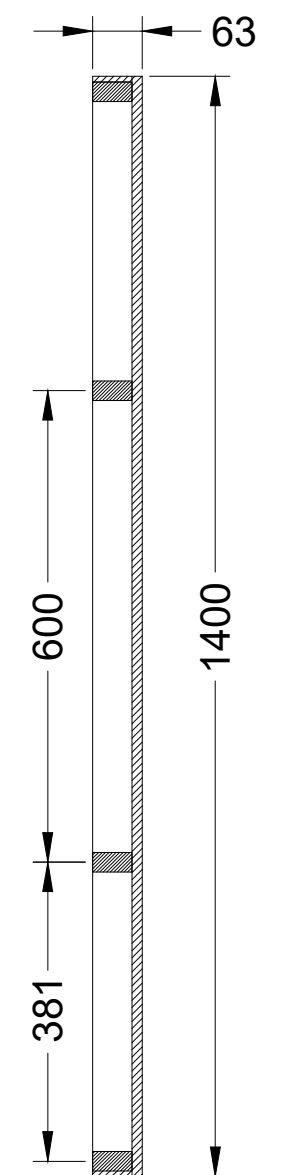
Use 12 mm
ply with 1 mm
laminare
finished on
teakwood
battens 25 x
50 mm



FRONT VIEW



SECTION-BB'



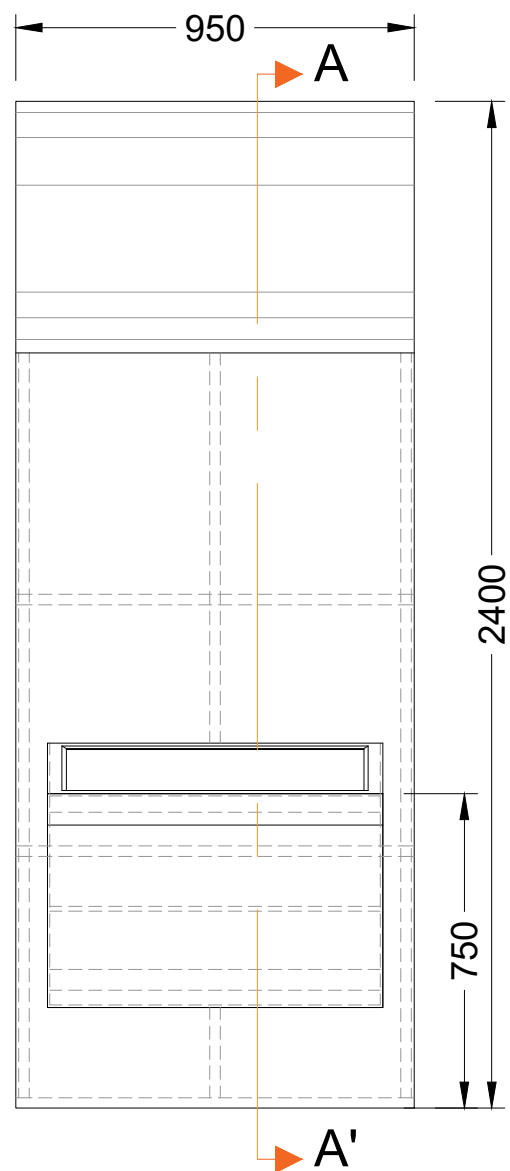
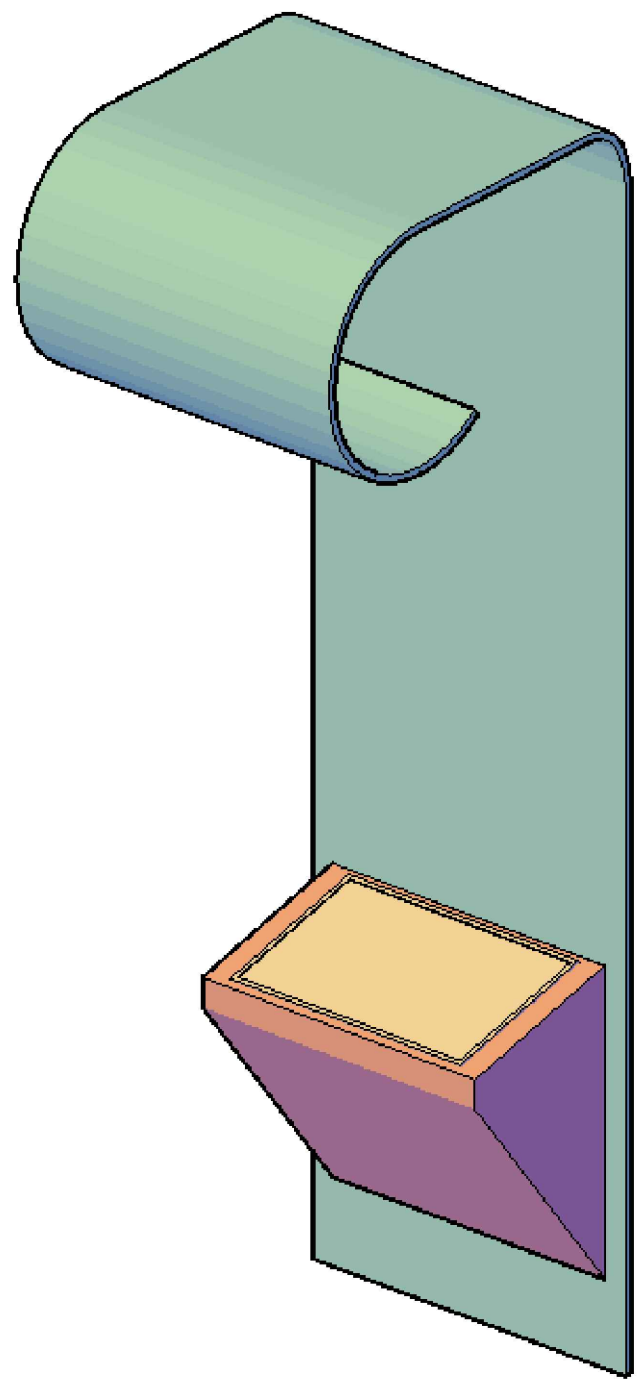
SECTION-AA'



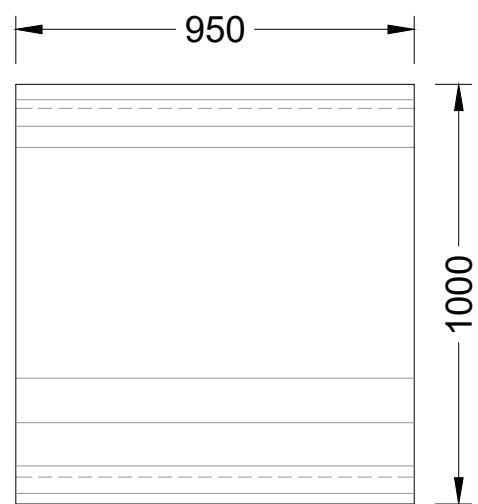
REGIONAL SCIENCE CENTER GUWAHATI

Gallery: Indian Traditional Medicines in NE Region
Section:- Future of Traditional Medicines

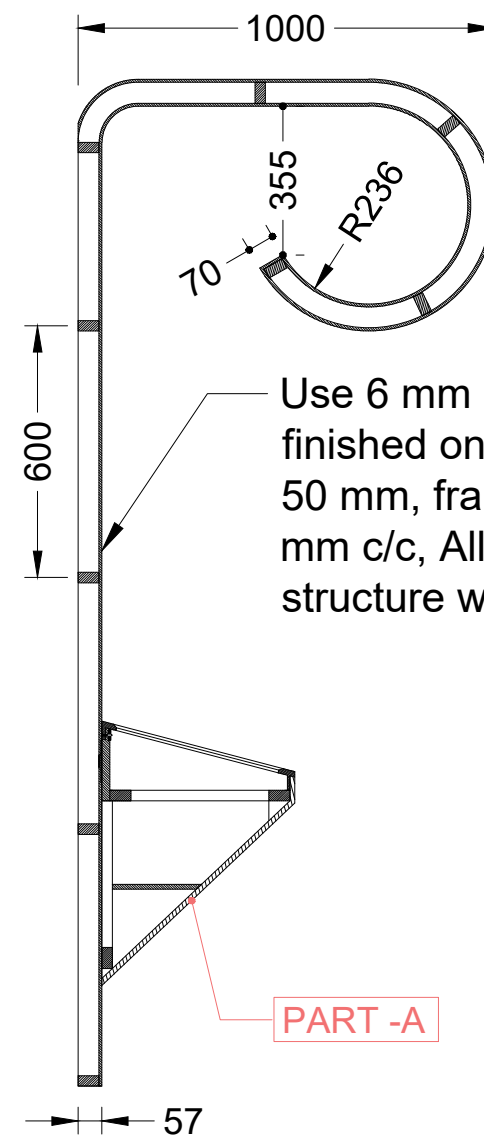
DRG. NO. RSCG/ITM-NER-17.1	DATE 22/08/2023	SCALE Not to scale
TITLE:-Integrating Indigenous Systems of Medicines in the Healthcare System of India		SHEET NO. 01 OF 01
DRN. BY Muktada	CKD. BY Samant Kumar Singh(Cr)	APPRD. BY Sujay Majumder(PC)



FRONT VIEW



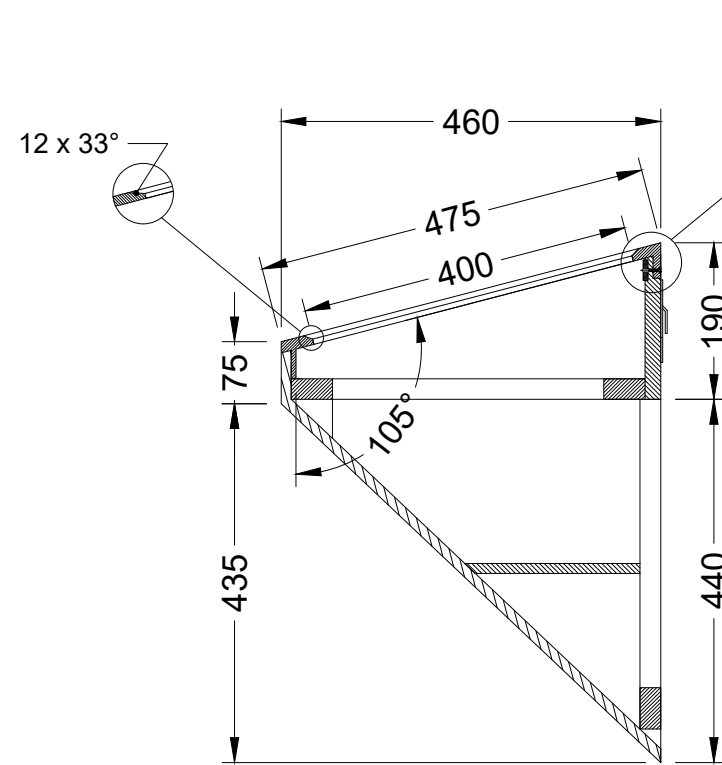
TOP VIEW



SECTION-AA'

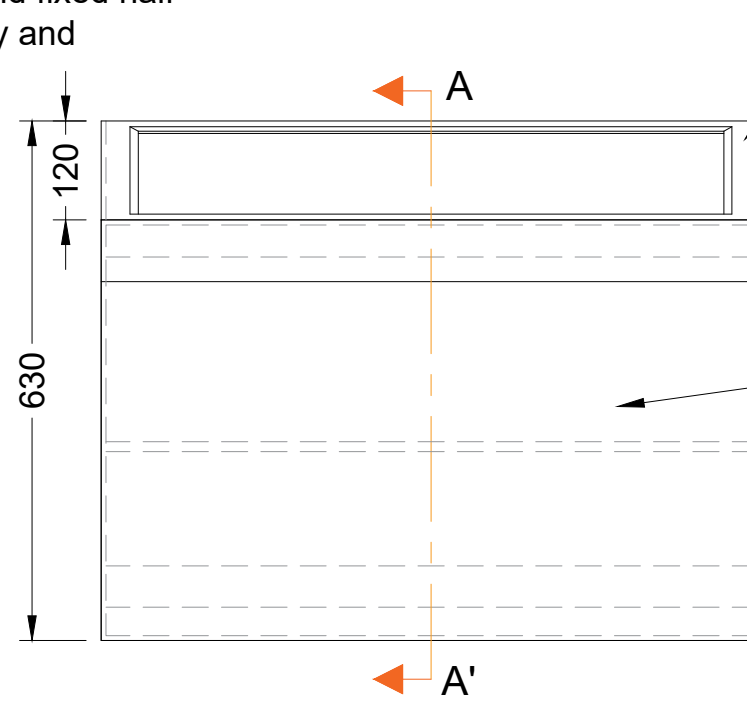
Use 6 mm ply with 1 mm laminate finished on teakwood batten 25 x 50 mm, frame grid @450 x 450 mm c/c, All peripheral teak wood structure would be of 50 x 50 mm

REGIONAL SCIENCE CENTER GUWAHATI		
Gallery: Indian Traditional Medicines in NE Region		
Section:- Unmanned Quiz		
DRG. NO. RSCG/ITM-NER- 18.1	DATE 22/08/2023	SCALE Not to scale
TITLE:- Unmanned Quiz		SHEET NO. 01 OF 03
DRN. BY Muktada	CKD. BY Samant Kumar Singh(Cr)	APPRD. BY Sujay Majumder(PC)



SECTION-AA'

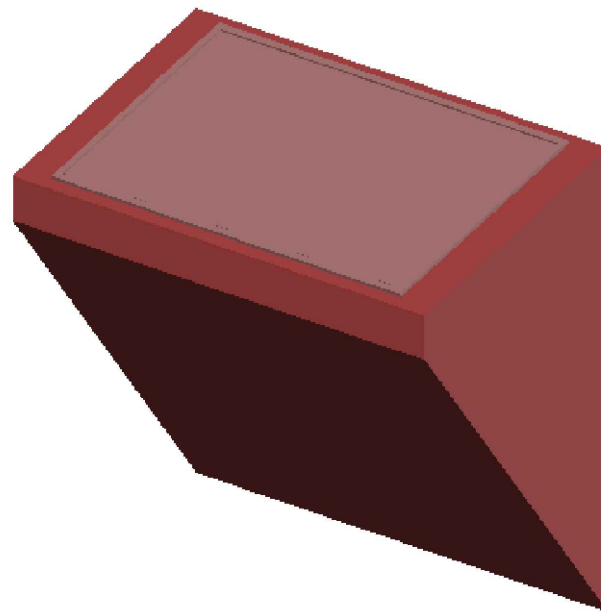
M.S Flat of size 25 x 75 mm and 6 mm thick with M6 taped thread and fixed half grooved into ply and screwed



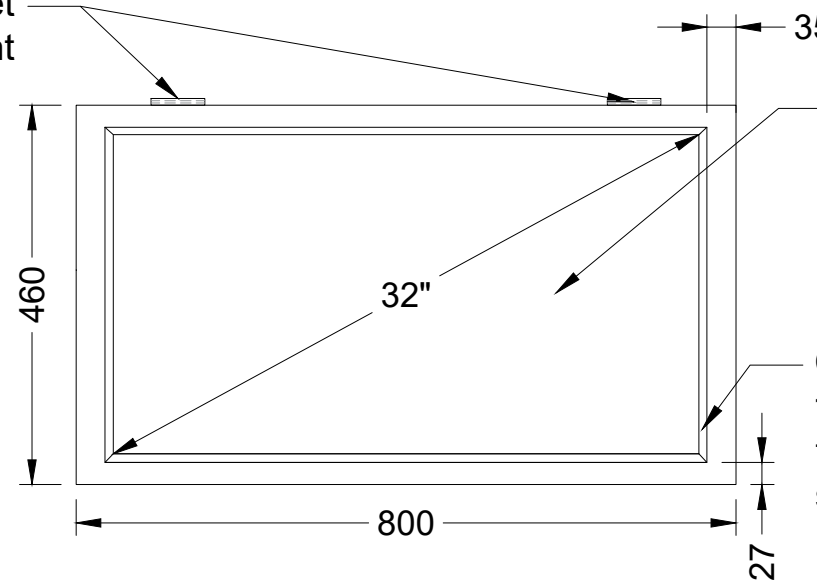
FRONT VIEW

Top cover is portable made of 12 mm ply with 1 mm laminate finished, fix with screw as shown

19 mm block board with 1 mm laminate finished use 25 x 50 mm teakwood battens to frame the structure



Wall mounted bracket fixing arrangement



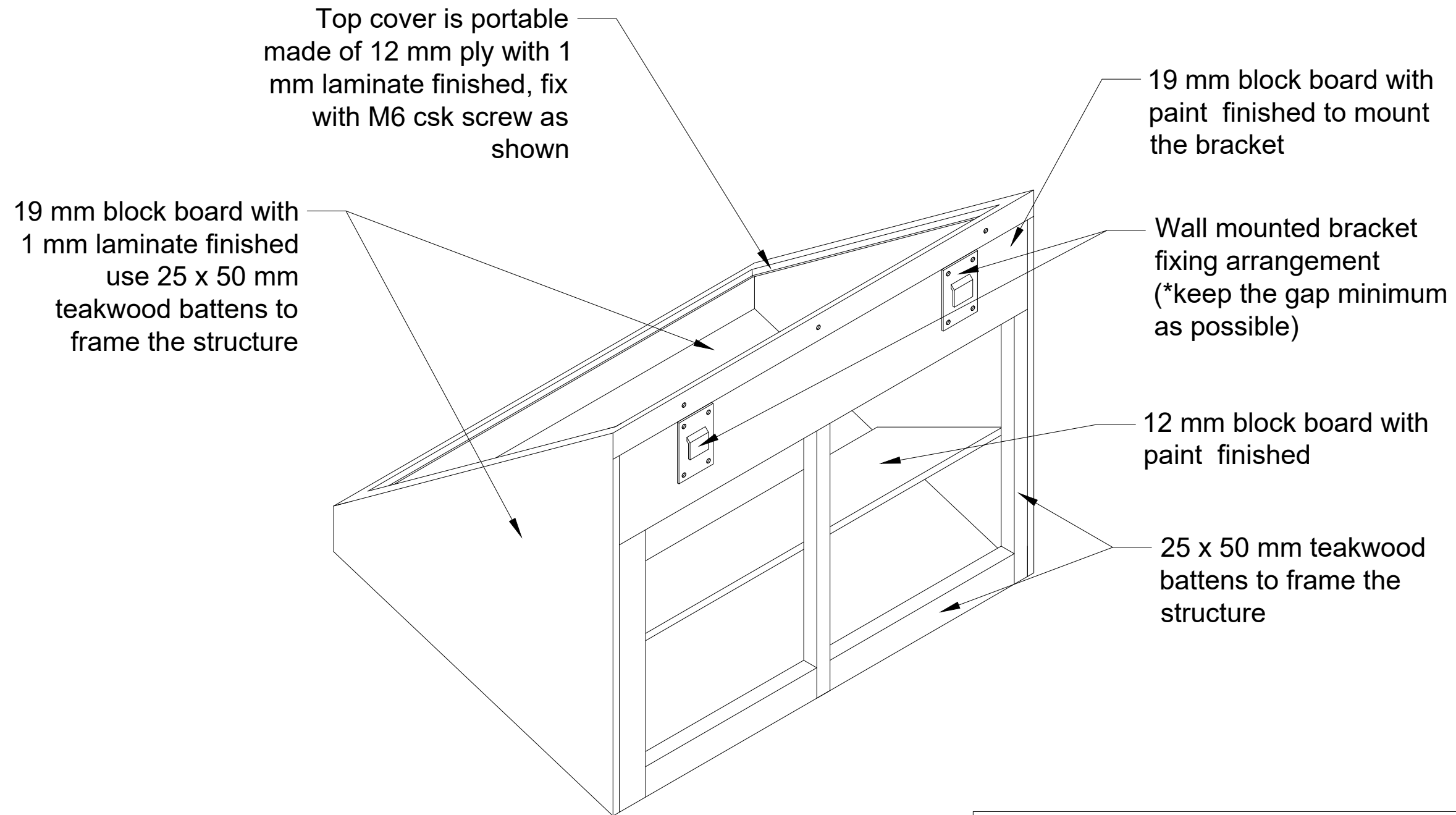
TOP VIEW

400 x 710 mm Cutout (*This cutout size is tentative the actual cutout size to be provided at site)

Chamfer the edge 10 x 17° (after 3 mm offset from the bottom surface)

PART-A DETAILS

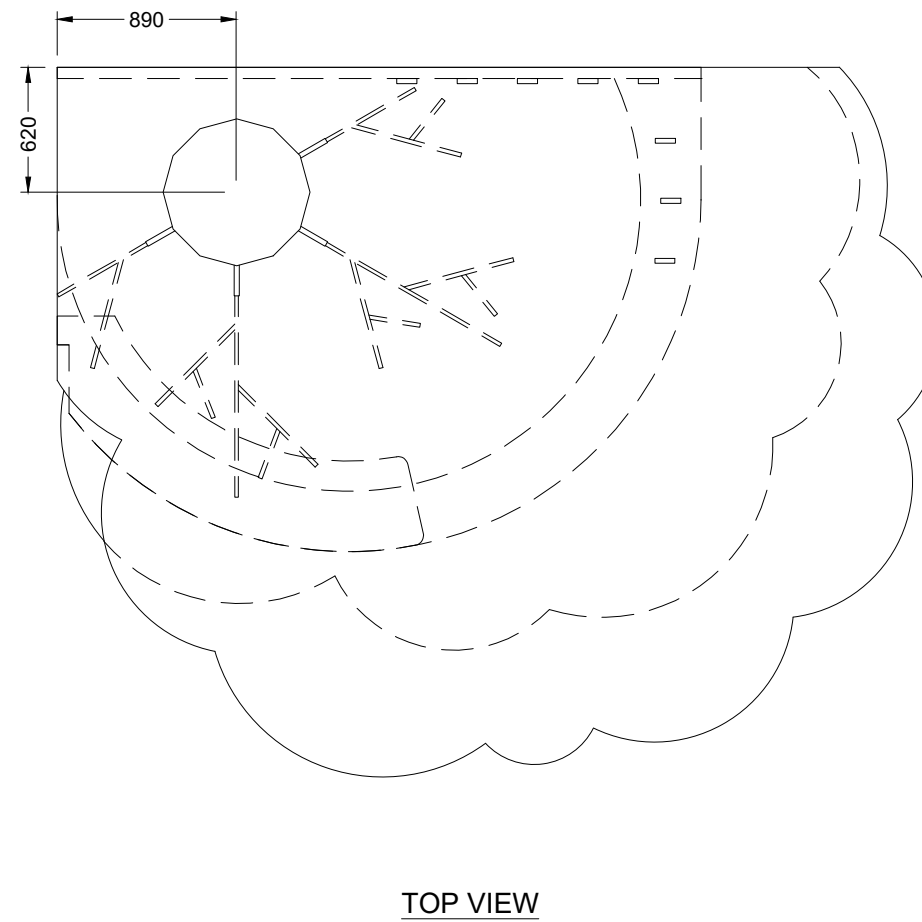
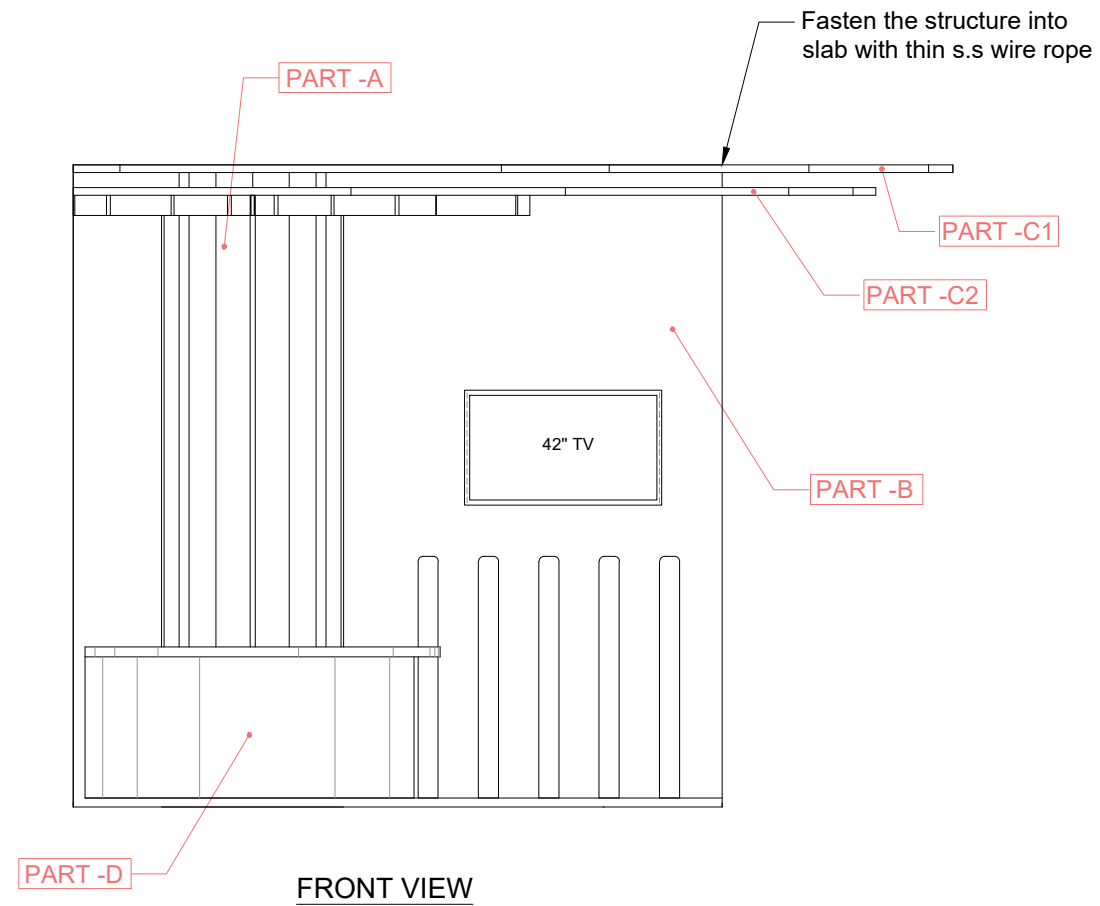
REGIONAL SCIENCE CENTER GUWAHATI		
Gallery: Indian Traditional Medicines in NE Region		
Section:- Unmanned Quiz		
DRG. NO. RSCG/ITM-NER- 18.1	DATE 22/08/2023	SCALE Not to scale
TITLE:- Unmanned Quiz		SHEET NO. 02 OF 03
DRN. BY Muktada	CKD. BY Samant Kumar Singh(Cr)	APPRD. BY Sujay Majumder(PC)



ISOMETRIC VIEW

PART-A DETAILS

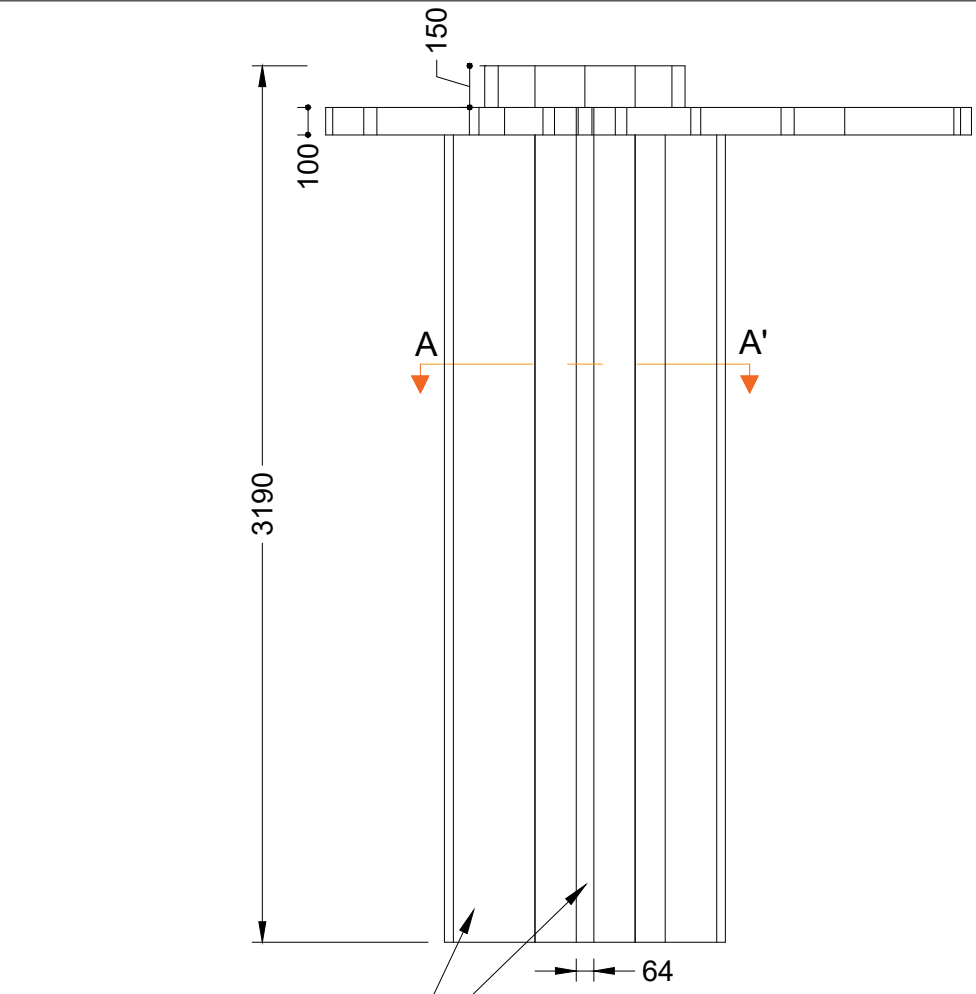
REGIONAL SCIENCE CENTER GUWAHATI		
Gallery: Indian Traditional Medicines in NE Region		
Section:- Unmanned Quiz		
DRG. NO. RSCG/ITM-NER- 18.1	DATE 22/08/2023	SCALE Not to scale
TITLE:- Unmanned Quiz		SHEET NO. 03 OF 03
DRN. BY Muktada	CKD. BY Samant Kumar Singh(Cr)	APPRD. BY Sujay Majumder(PC)



GENERAL ARRANGEMENT OF ALL PARTS

REGIONAL SCIENCE CENTER GUWAHATI		
Gallery: Indian Traditional Medicines in NE Region Section:- Demonstration Corner		
DRG. NO. RSCG/ITM-NER- 19.1	DATE 22/08/2023	SCALE Not to scale
TITLE:- Demonstration Corner		SHEET NO. 01 OF 05
DRN. BY Muktada	CKD. BY Samant Kumar Singh(Cr)	APPRD. BY Sujay Majumder(PC)

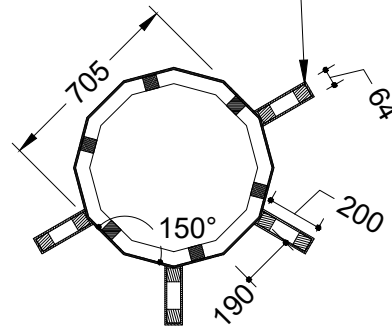
PART- A



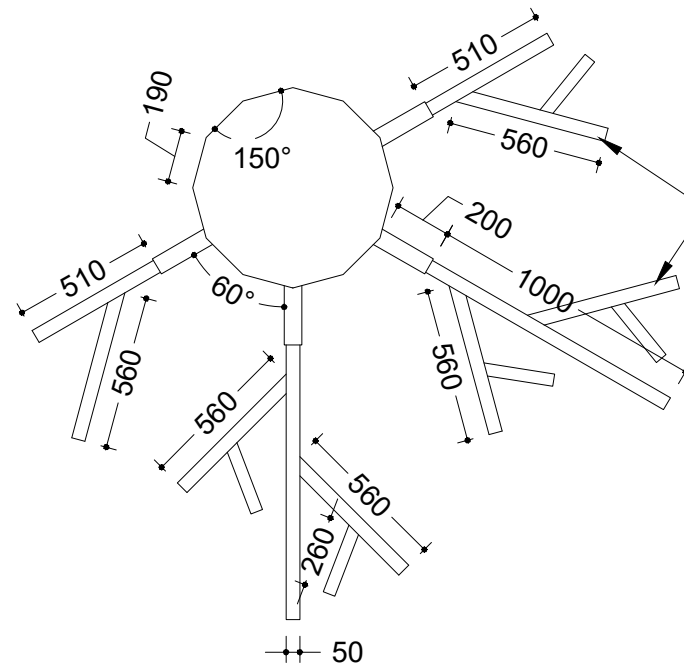
Use 50 mm teakwood with polish finished

FRONT VIEW

Use 6 mm ply with 1 mm laminate finished on teakwood batten 50 x 50 mm,

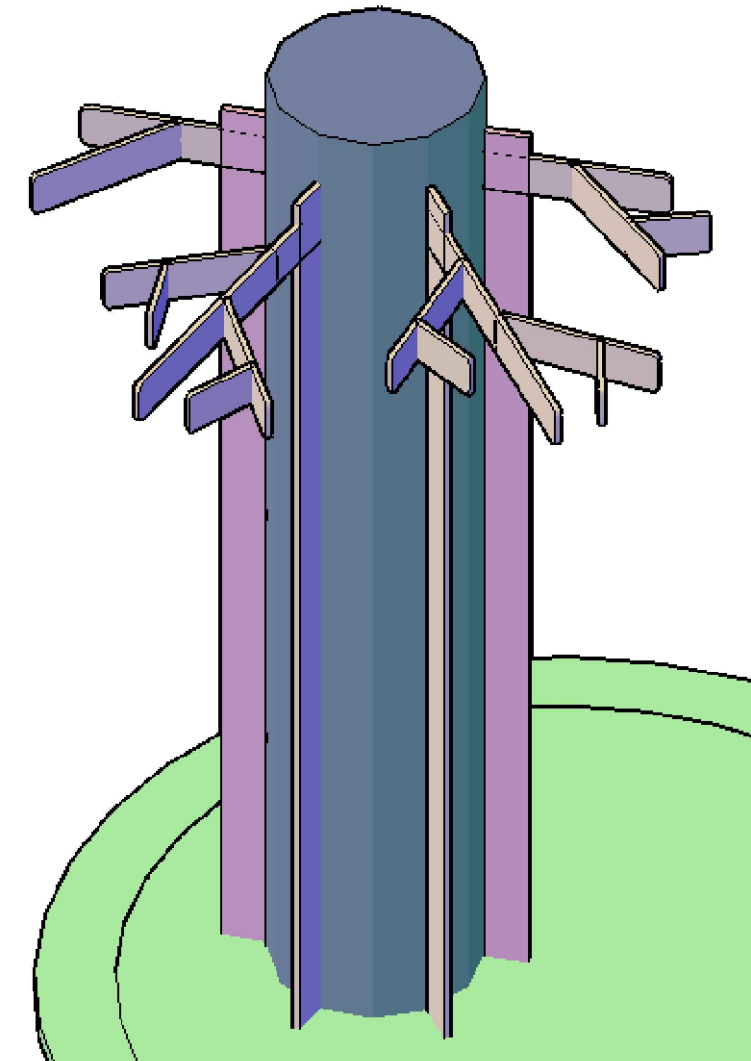


SECTION - AA'



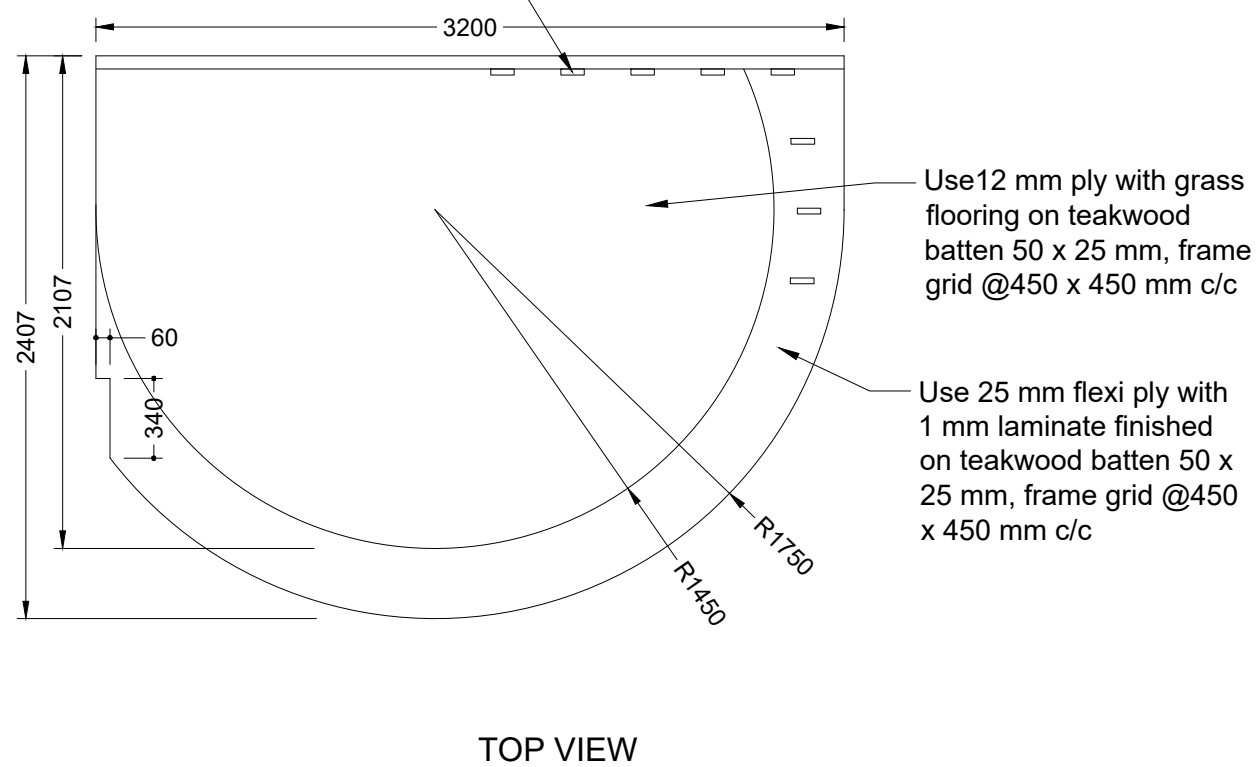
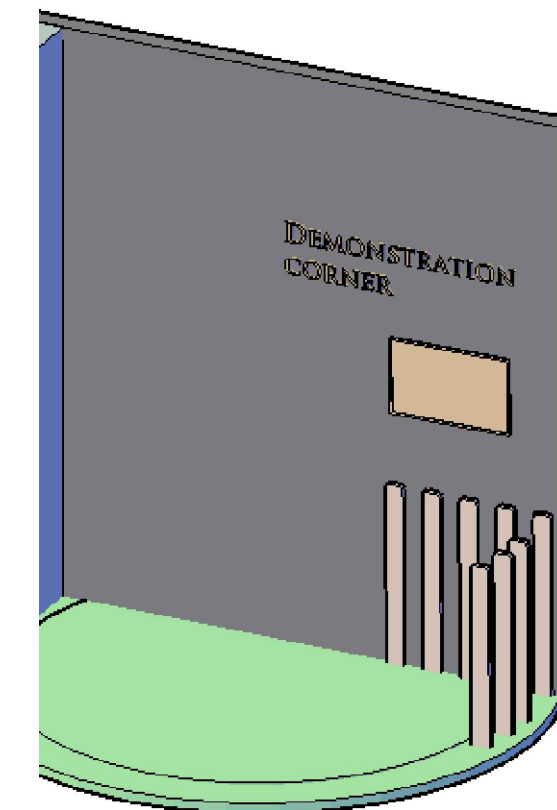
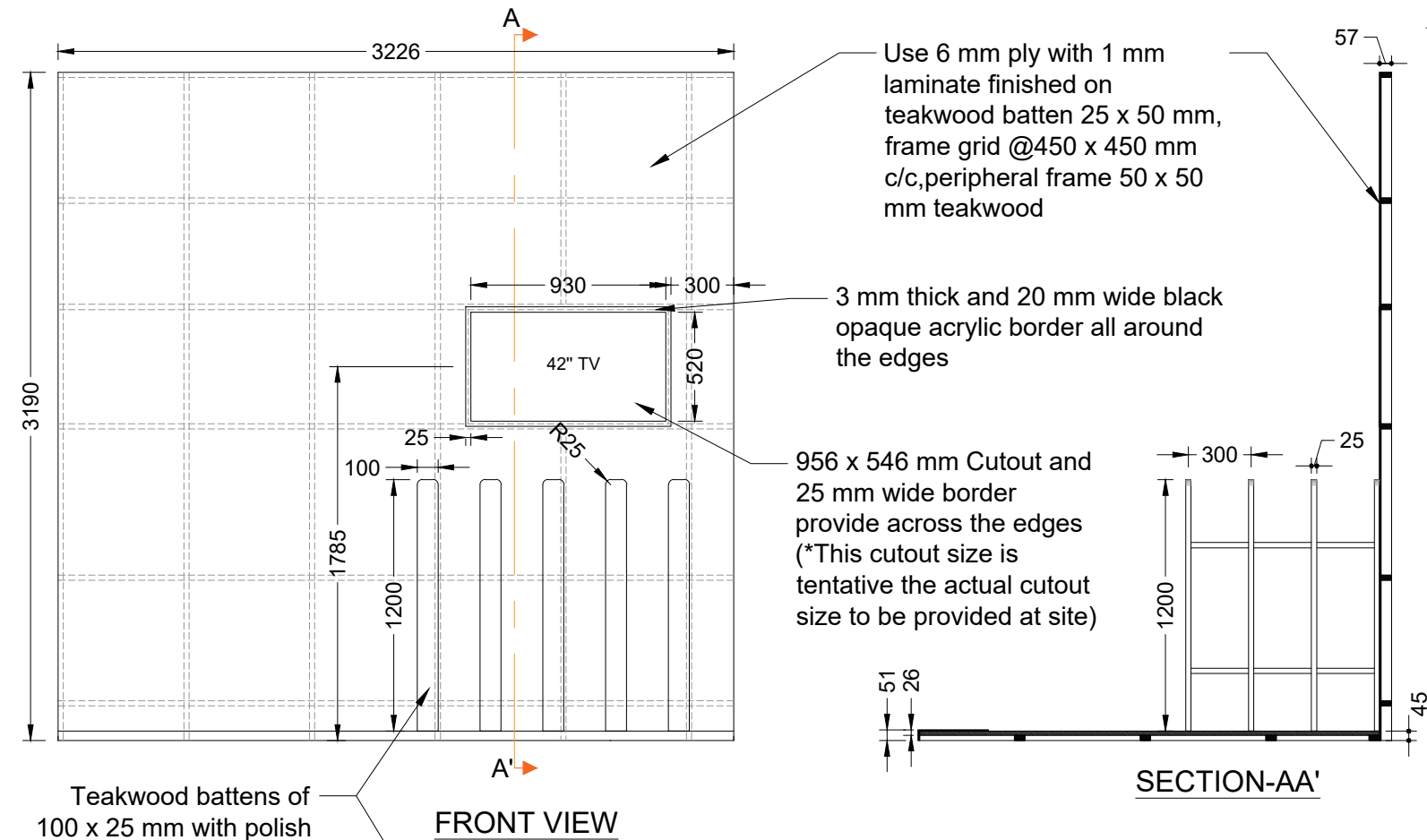
Teakwood of 50 mm thick and 100 mm width with polish finished as per laminate texture

TOP VIEW

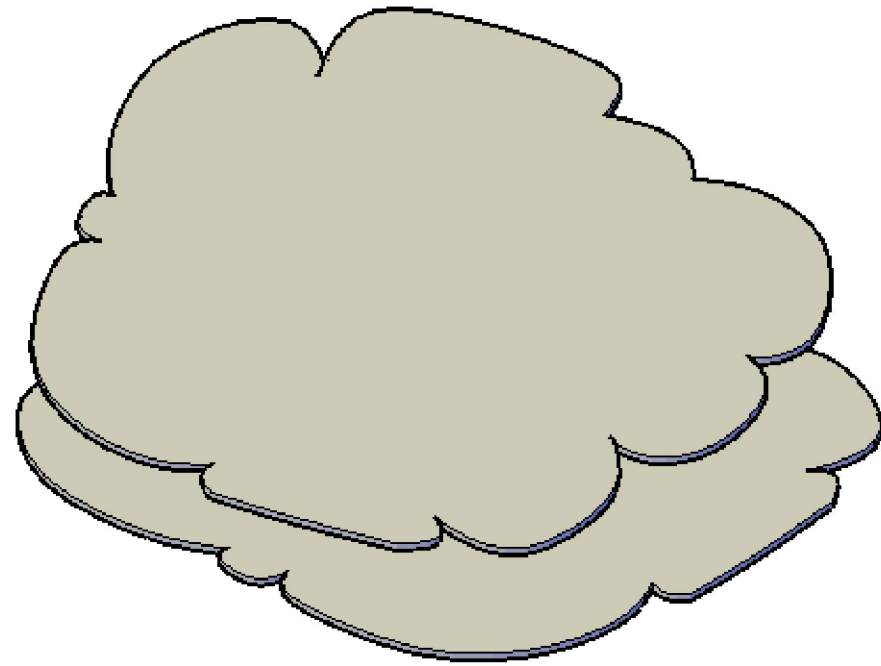


REGIONAL SCIENCE CENTER GUWAHATI		
Gallery: Indian Traditional Medicines in NE Region		
Section:- Demonstration Corner		
DRG. NO. RSCG/ITM-NER-19.1	DATE 22/08/2023	SCALE Not to scale
TITLE:- Demonstration Corner		SHEET NO. 02 OF 05
DRN. BY Muktada	CKD. BY Samant Kumar Singh(Cr)	APPRD. BY Sujay Majumder(PC)

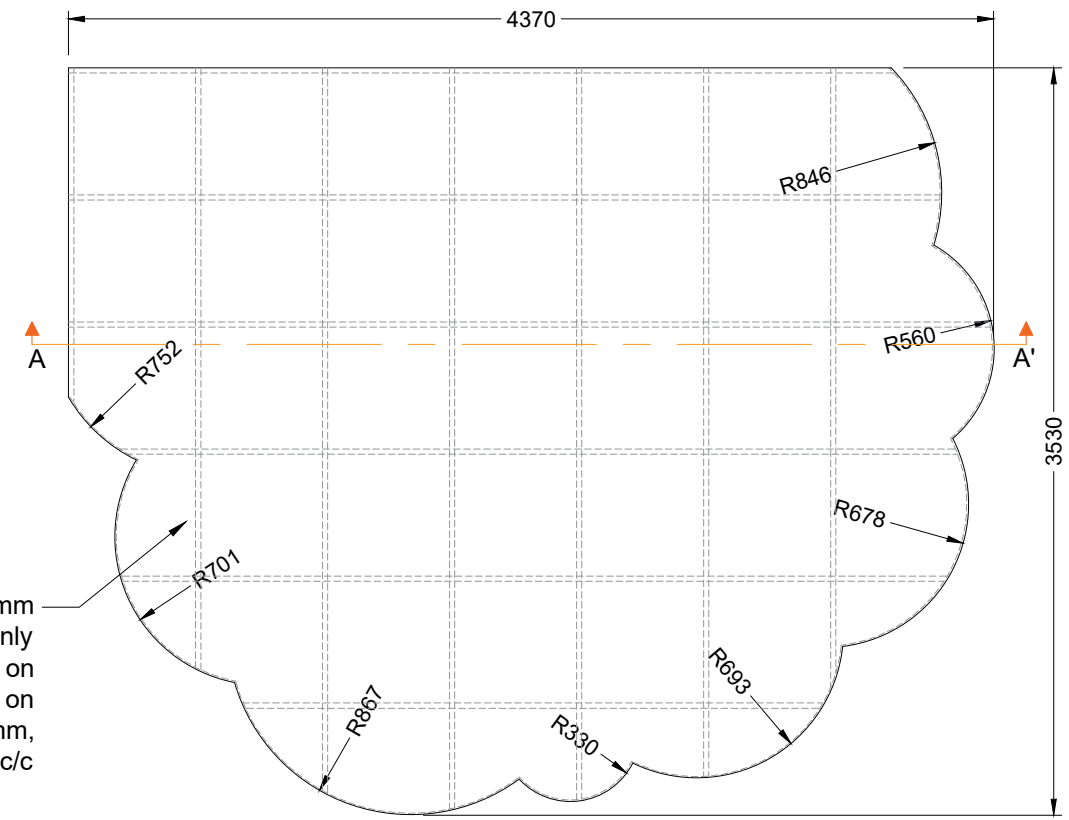
PART- B



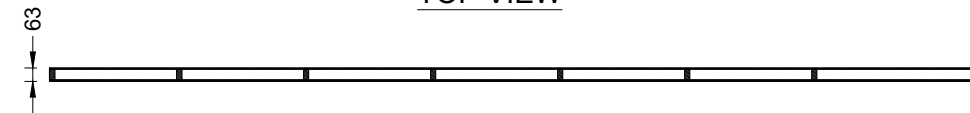
REGIONAL SCIENCE CENTER GUWAHATI		
Gallery: Indian Traditional Medicines in NE Region		
Section:- Demonstration Corner		
DRG. NO. RSCG/ITM-NER-19.1	DATE 22/08/2023	SCALE Not to scale
TITLE:- Demonstration Corner		SHEET NO. 03 OF 05
DRN. BY Muktada	CKD. BY Samant Kumar Singh(Cr)	APPRD. BY Sujay Majumder(PC)



Use 6 mm ply with 1 mm laminate finished(*only laminate finish require on bottom face or visible face) on teakwood batten 25 x 50 mm, frame grid @450 x 450 mm c/c

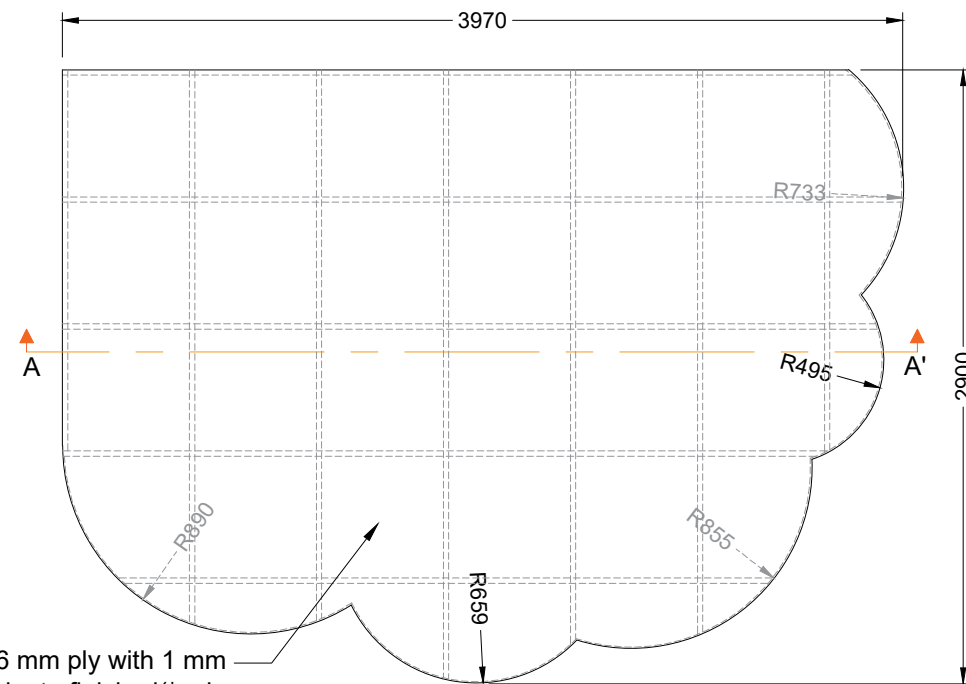


TOP VIEW



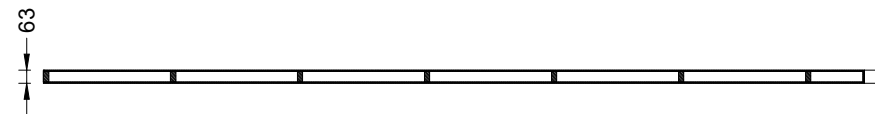
SECTION-AA'

PART-C1



TOP VIEW

Use 6 mm ply with 1 mm laminate finished(*only laminate finish require on bottom face or visible face) on teakwood batten 25 x 50 mm, frame grid @450 x 450 mm c/c



SECTION-AA'

PART-C2

REGIONAL SCIENCE CENTER GUWAHATI

Gallery: Indian Traditional Medicines in NE Region
Section:- Demonstration Corner

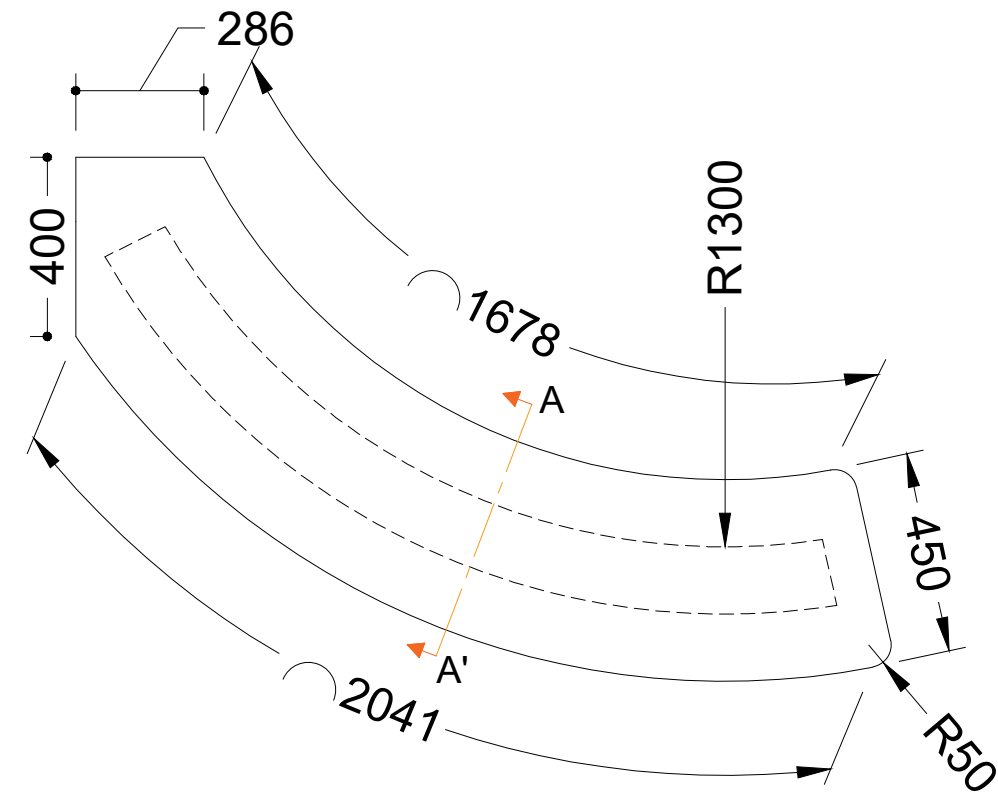
DRG. NO. RSCG/ITM-NER-19.1	DATE 22/08/2023	SCALE Not to scale
-------------------------------	--------------------	-----------------------

TITLE:- Demonstration Corner

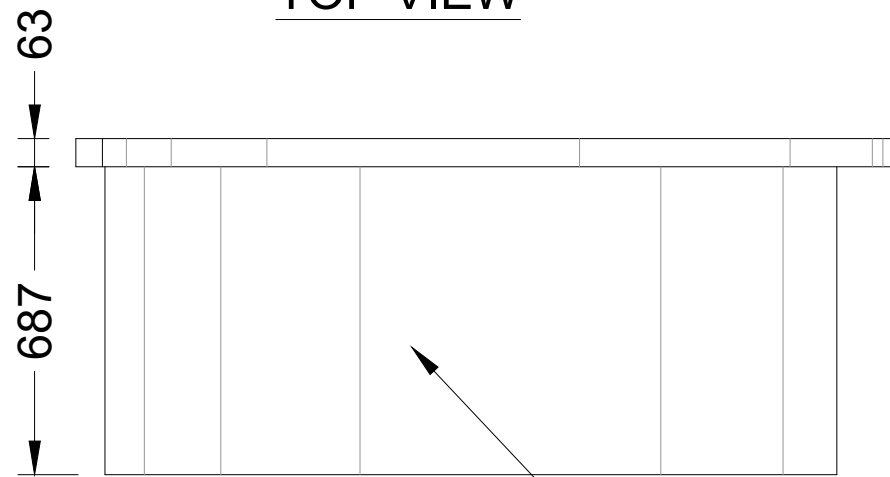
SHEET NO.
04 OF 05

DRN. BY Muktada	CKD. BY Samant Kumar Singh(Cr)	APPRD. BY Sujay Majumder(PC)
--------------------	-----------------------------------	---------------------------------

PART- D

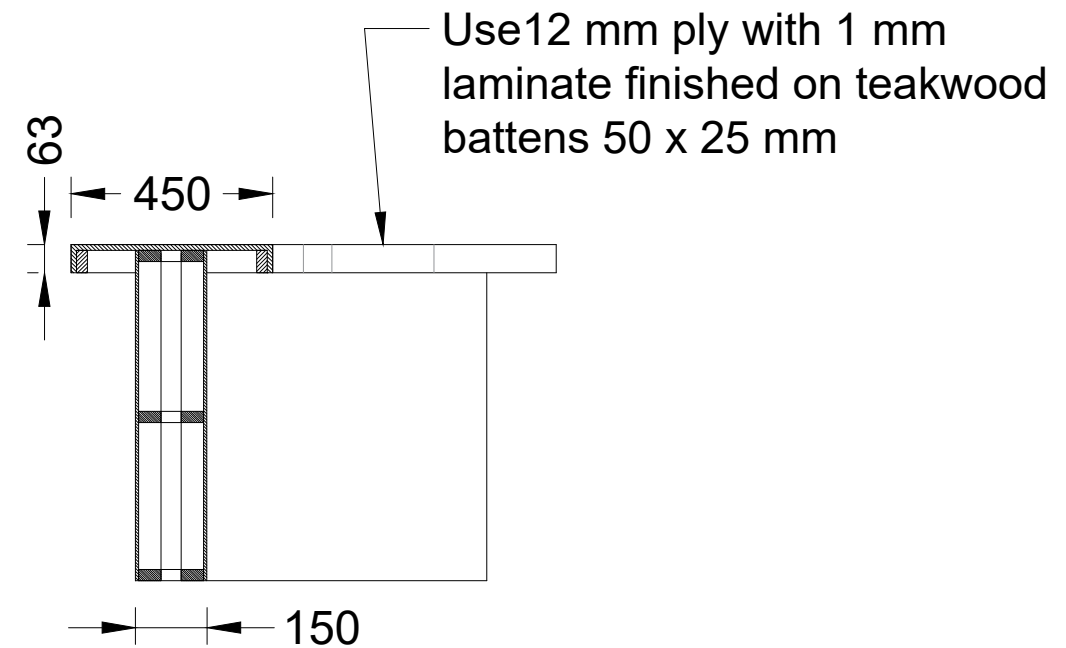
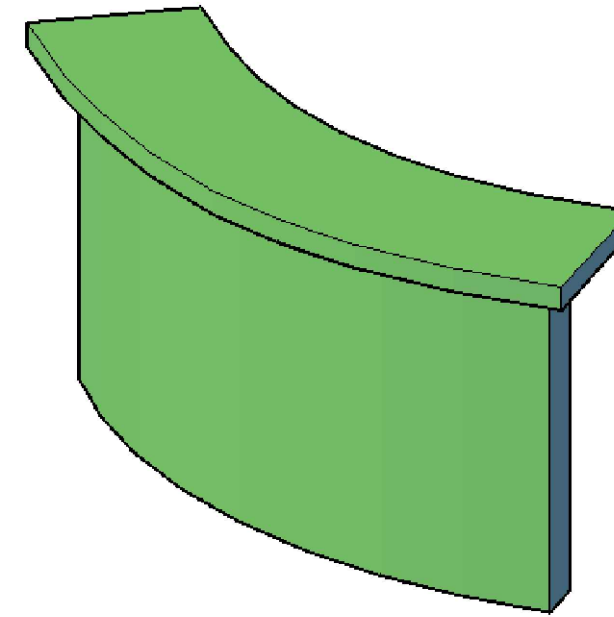


TOP VIEW



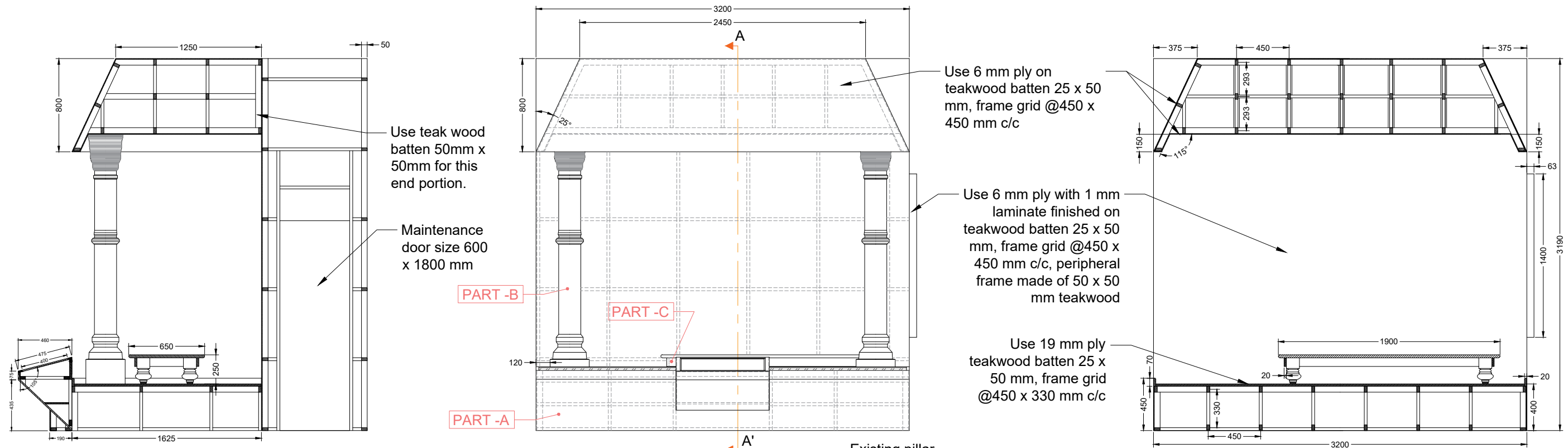
FRONT VIEW

Use 6 mm flexi ply with 1 mm laminate finished on teakwood batten 50 x 25 mm, frame grid @450 x 450 mm c/c



SECTION-AA'

REGIONAL SCIENCE CENTER GUWAHATI		
Gallery: Indian Traditional Medicines in NE Region Section:- Demonstration Corner		
DRG. NO. RSCG/ITM-NER- 19.1	DATE 22/08/2023	SCALE Not to scale
TITLE:- Demonstration Corner		SHEET NO. 05 OF 05
DRN. BY Muktada	CKD. BY Samant Kumar Singh(Cr)	APPRD. BY Sujay Majumder(PC)



SECTION-AA'

FRONT VIEW

SECTION-BB'

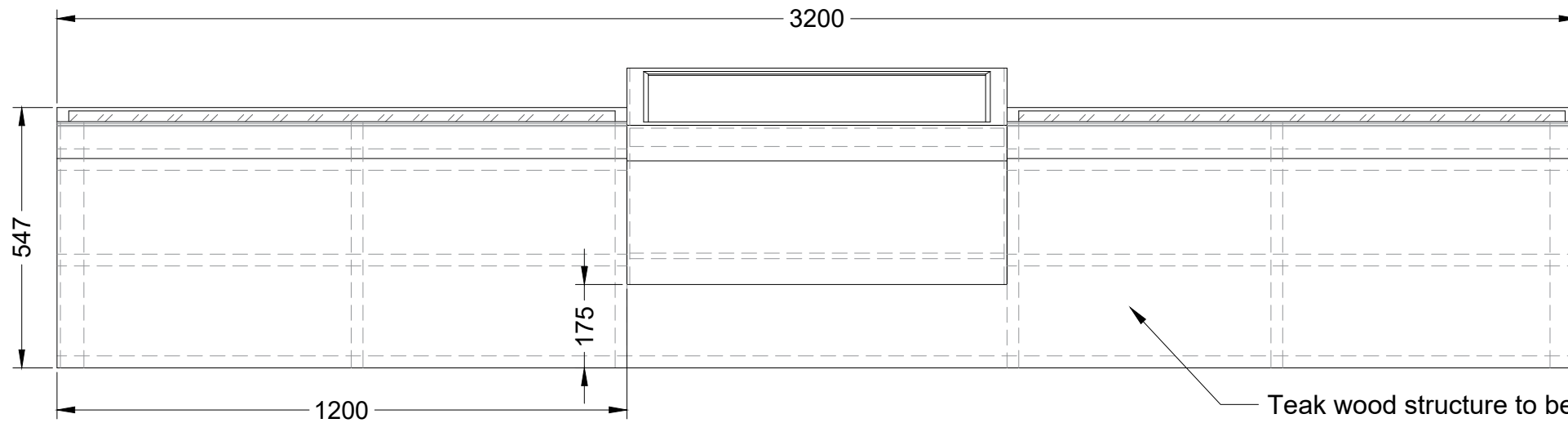
TOP VIEW

17.1 Integrating Indigenous Systems of Medicines in the Healthcare System of India for Details follow (DRG. No. RSCG/ITM-NER- 17.1)

Hinged door of 19 mm block board, 1 mm laminate finished front side with lock & key, door size 600 x 1800 mm

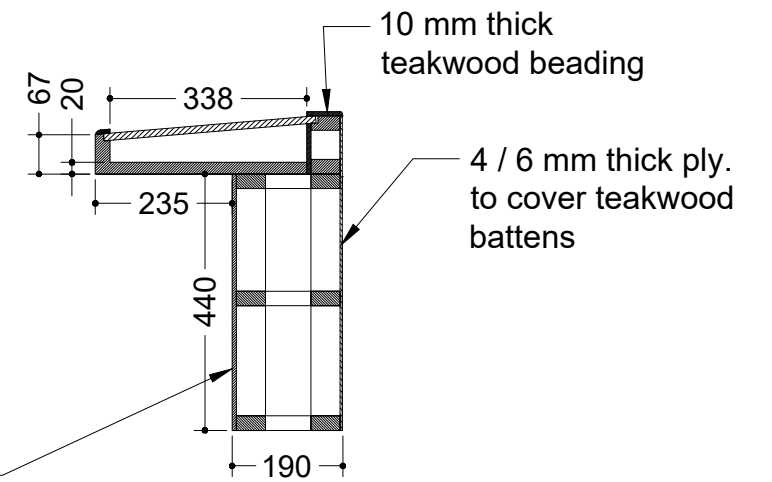


REGIONAL SCIENCE CENTER GUWAHATI		
Gallery: Indian Traditional Medicines in NE Region Section:- Indian Traditional Medicinal Heritage		
DRG. NO. RSCG/ITM-NER- 20.1	DATE 22/08/2023	SCALE Not to scale
TITLE:- Indian Traditional Medicinal Heritage		SHEET NO. 01 OF 03
DRN. BY Muktada	CKD. BY Samant Kumar Singh(Cr)	APPRD. BY Sujoy Majumder(PC)

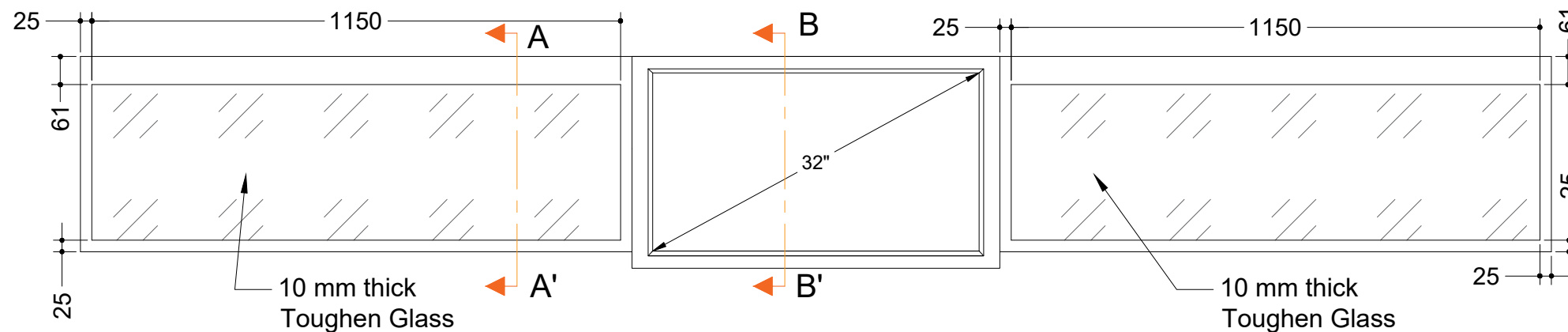


FRONT VIEW

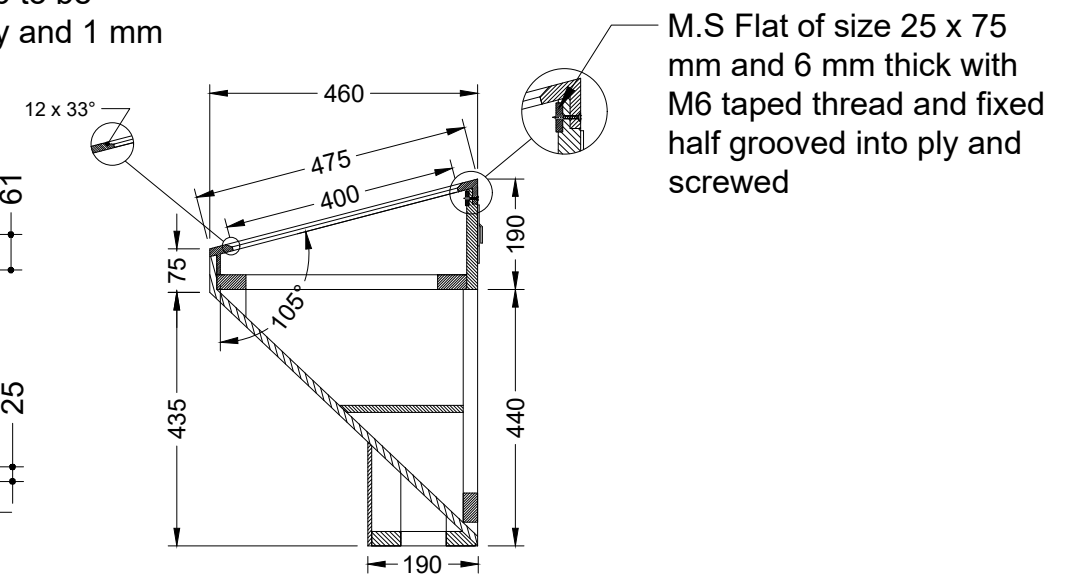
Teak wood structure to be made from (25 mm x 50mm), peripheral structure made of 50 x 50 mm teakwood and to be grouted on the floor. Top to be covered with 6 mm thick ply and 1 mm laminate above it.



SECTION-AA'



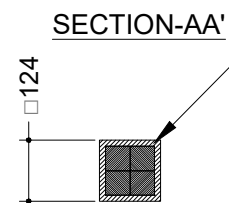
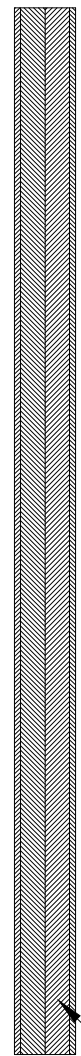
TOP VIEW



SECTION-BB'

PART-A DETAILS

REGIONAL SCIENCE CENTER GUWAHATI		
Gallery: Indian Traditional Medicines in NE Region		
Section:- Indian Traditional Medicinal Heritage		
DRG. NO. RSCG/ITM-NER- 20.1	DATE 22/08/2023	SCALE Not to scale
TITLE:- Indian Traditional Medicinal Heritage		SHEET NO. 02 OF 03
DRN. BY Muktada	CKD. BY Samant Kumar Singh(Cr)	APPRD. BY Sujay Majumder(PC)



SECTION-AA'
 □ 124 mm wooden structure
 inside & combination with 50
 x 50 mm teakwood battens
 & 12 mm ply for support

SECTION-BB'

**PART-B DETAILS
 PILLER STRUCTURE**

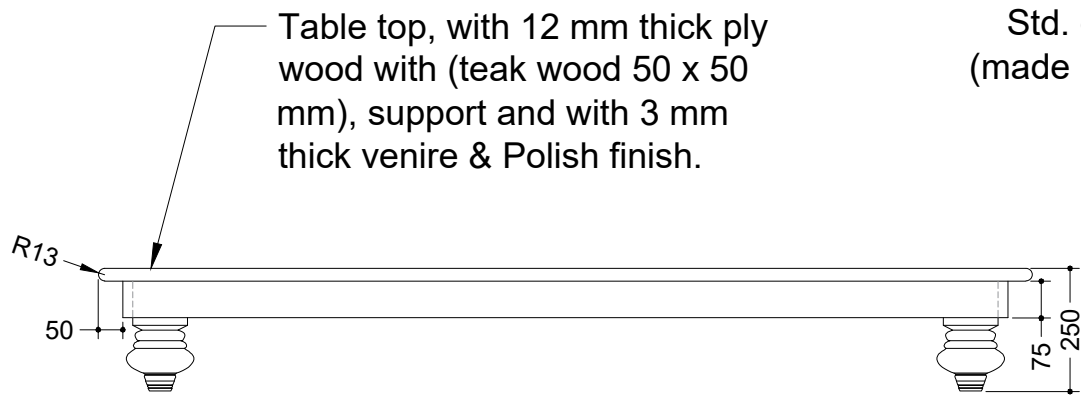
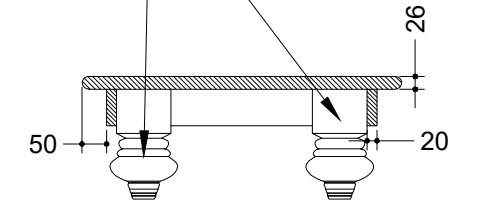


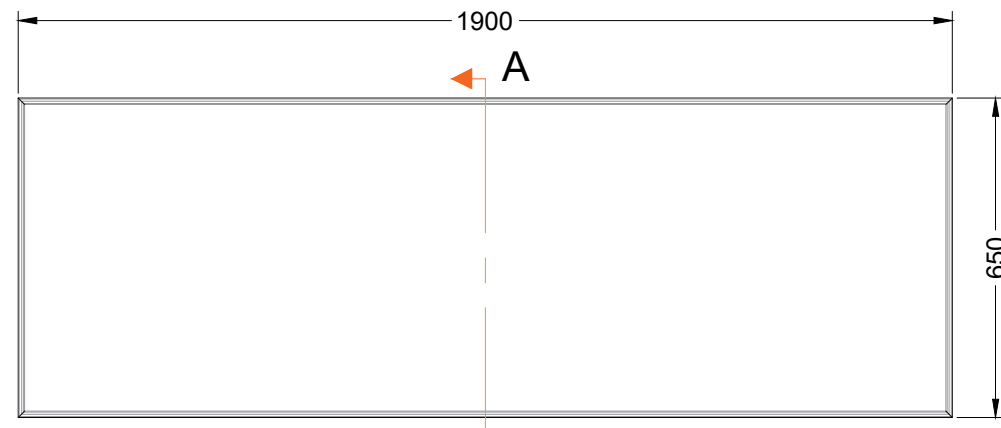
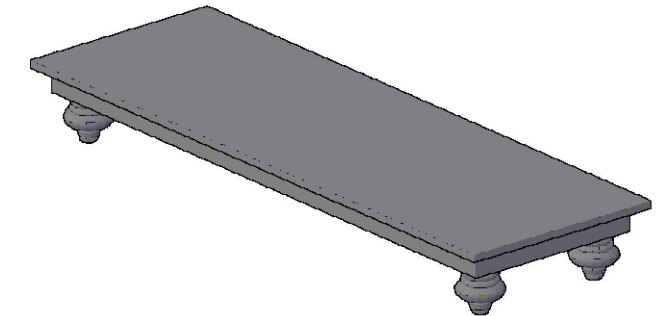
Table top, with 12 mm thick ply
 wood with (teak wood 50 x 50
 mm), support and with 3 mm
 thick venire & Polish finish.

Std. decorative wooden leg
 (made by turning from 75 mm
 teak wooden button).

FRONT VIEW



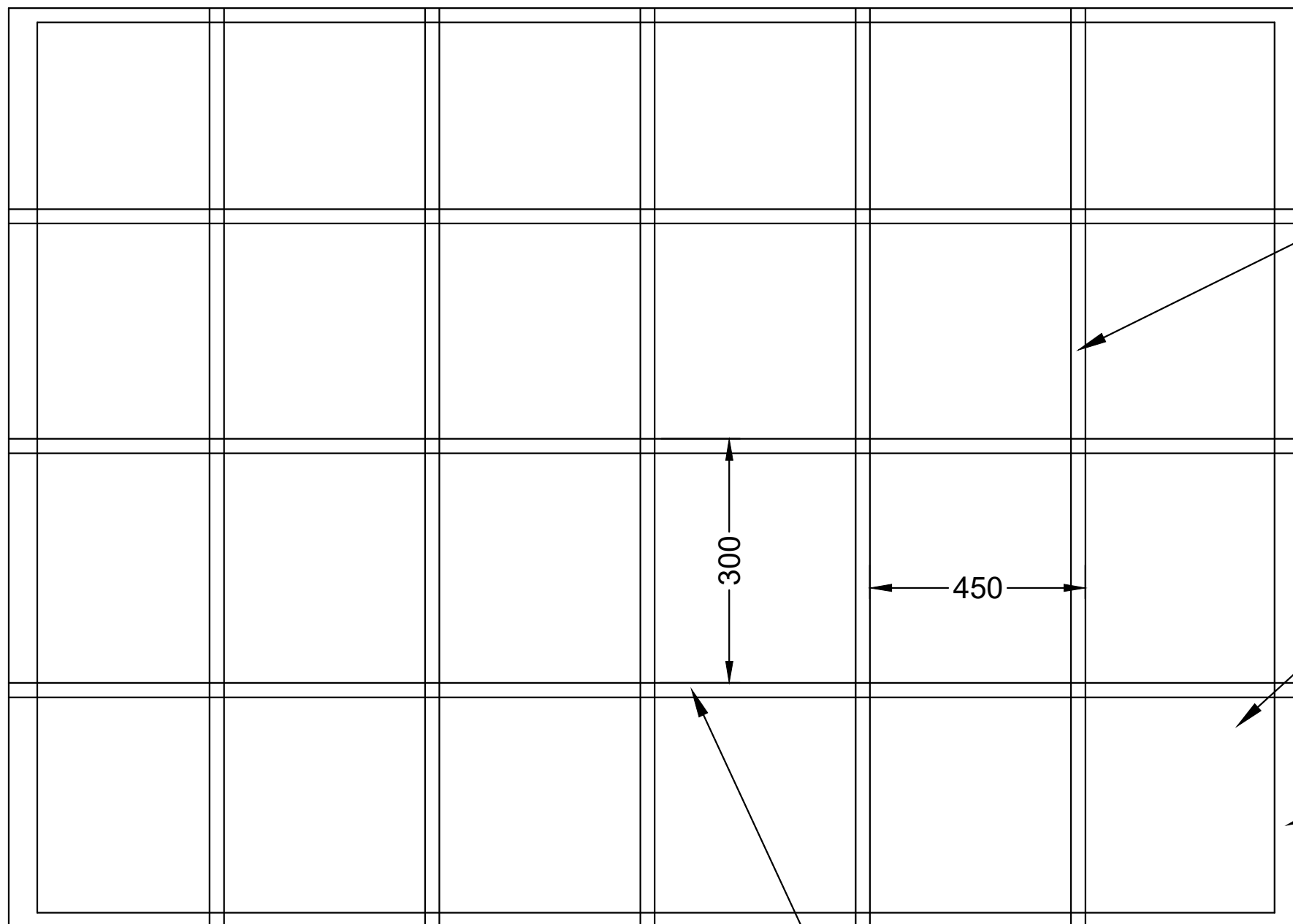
SECTION-AA'



TOP VIEW

PART-C DETAILS

REGIONAL SCIENCE CENTER GUWAHATI		
Gallery: Indian Traditional Medicines in NE Region		
Section:- Indian Traditional Medicinal Heritage		
DRG. NO. RSCG/ITM-NER- 20.1	DATE 22/08/2023	SCALE Not to scale
TITLE:- Indian Traditional Medicinal Heritage		SHEET NO. 03 OF 03
DRN. BY Muktada	CKD. BY Samant Kumar Singh(Cr)	APPRD. BY Sujay Majumder(PC)



25 x 50mm teakwood section (vertical)

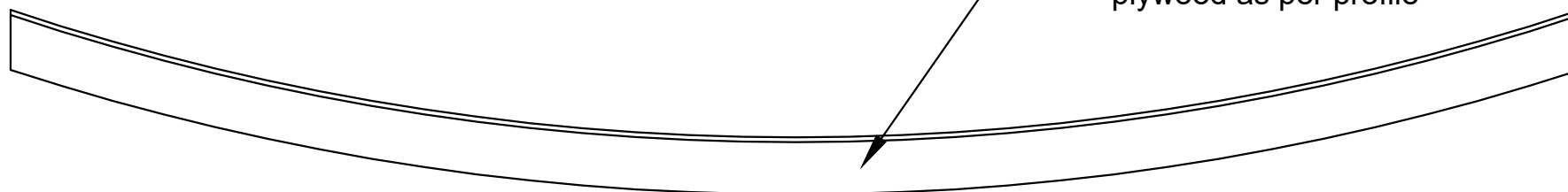
6 mm ply with 1 mm Laminates on 450x300 mm grid

50 x 50 teakwood section at the periphery

FRONT VIEW

75x25mm curved section cut from plywood as per profile

Not to scale drawing
All Dimensions are in mm.



TOP VIEW

DETAILS OF CURVED PANEL (TYP)

Regional Science Centre Guwahati

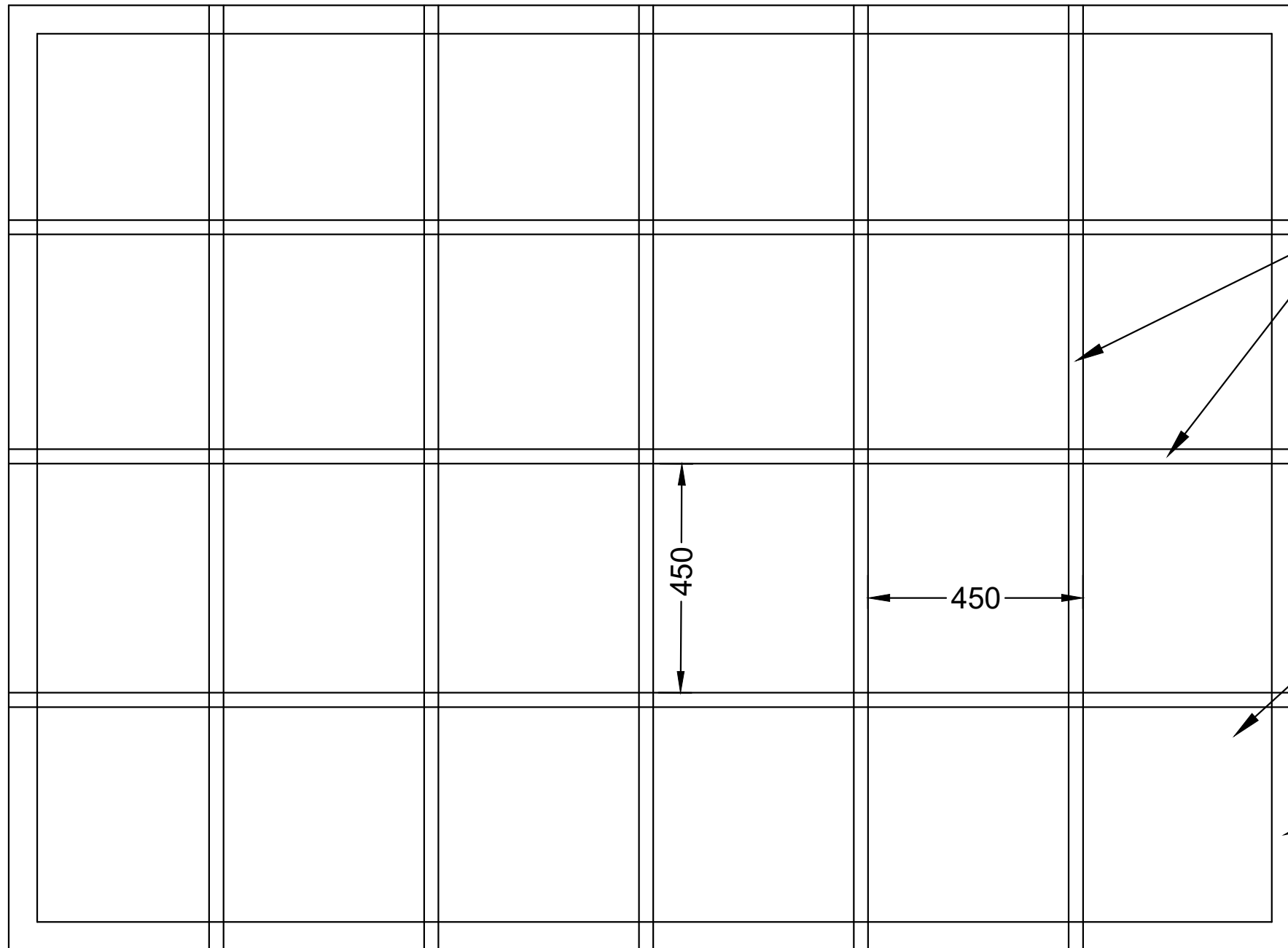
Project: Children Gallery at Sukanta Academy, Tripura

Drawing No. : TR/CH/CP

Drawing : Details of Curved panel

Drawn by/ Checked by
Samant Singh

Approved by:
Sujay Majumder



FRONT VIEW

TOP VIEW

DETAILS OF STRAIGHT PANEL (TYP)

25 x 50 teakwood section

6 mm ply with 1 mm Laminates
on 450x450 mm grid made of 25x50
mm teakwood section

50 x 50 teakwood section at
the periphery

Do not scale drawing
All Dimensions are in mm.

Regional Science Centre Guwahati

Project: Children Gallery at Sukanta Academy, Tripura

Drawing No. : TR/CH/SP

Drawing : Details of Straight panel

Drawn by/ Checked by
Samant Singh

Approved by:
Sujay Majumder