
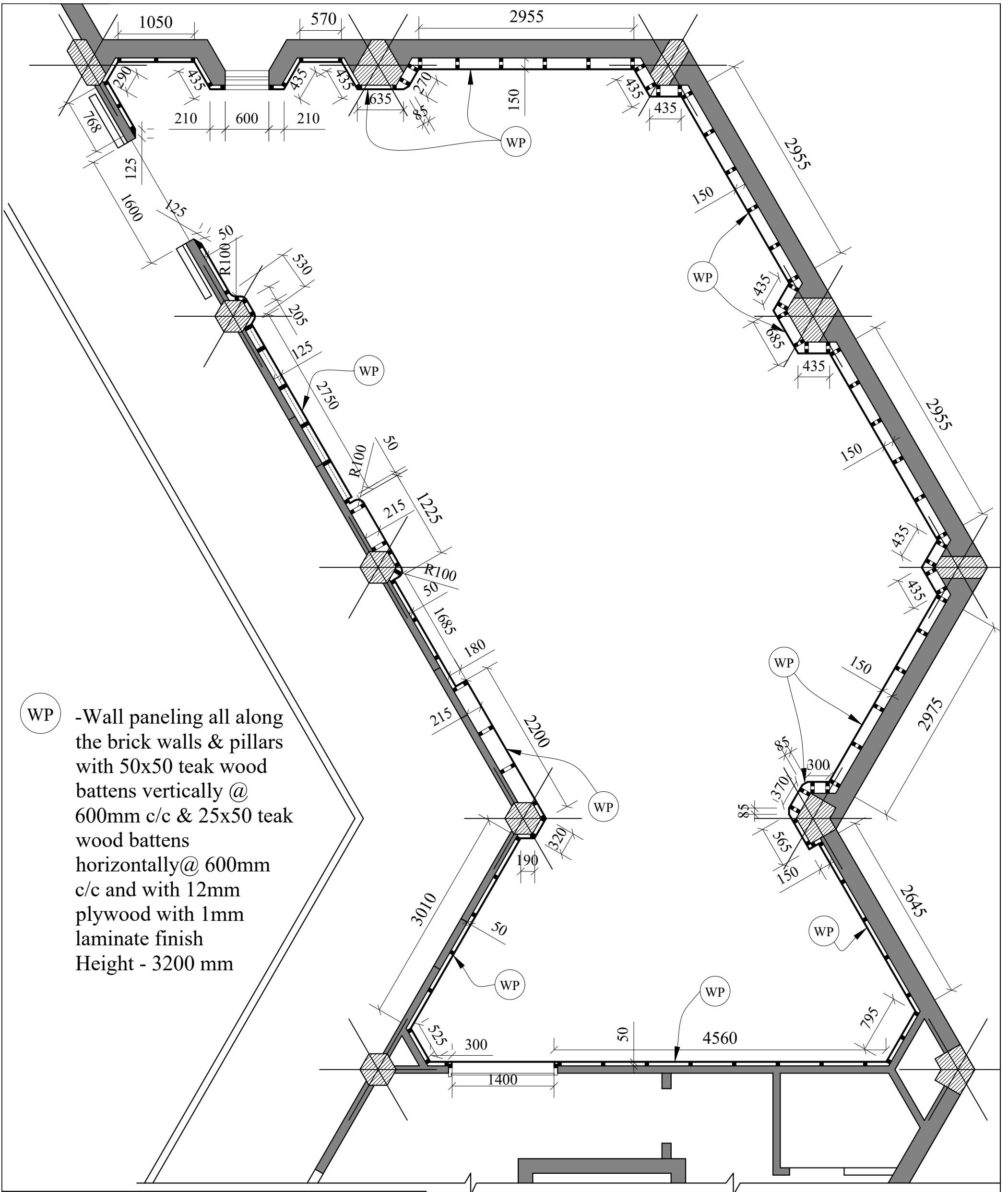
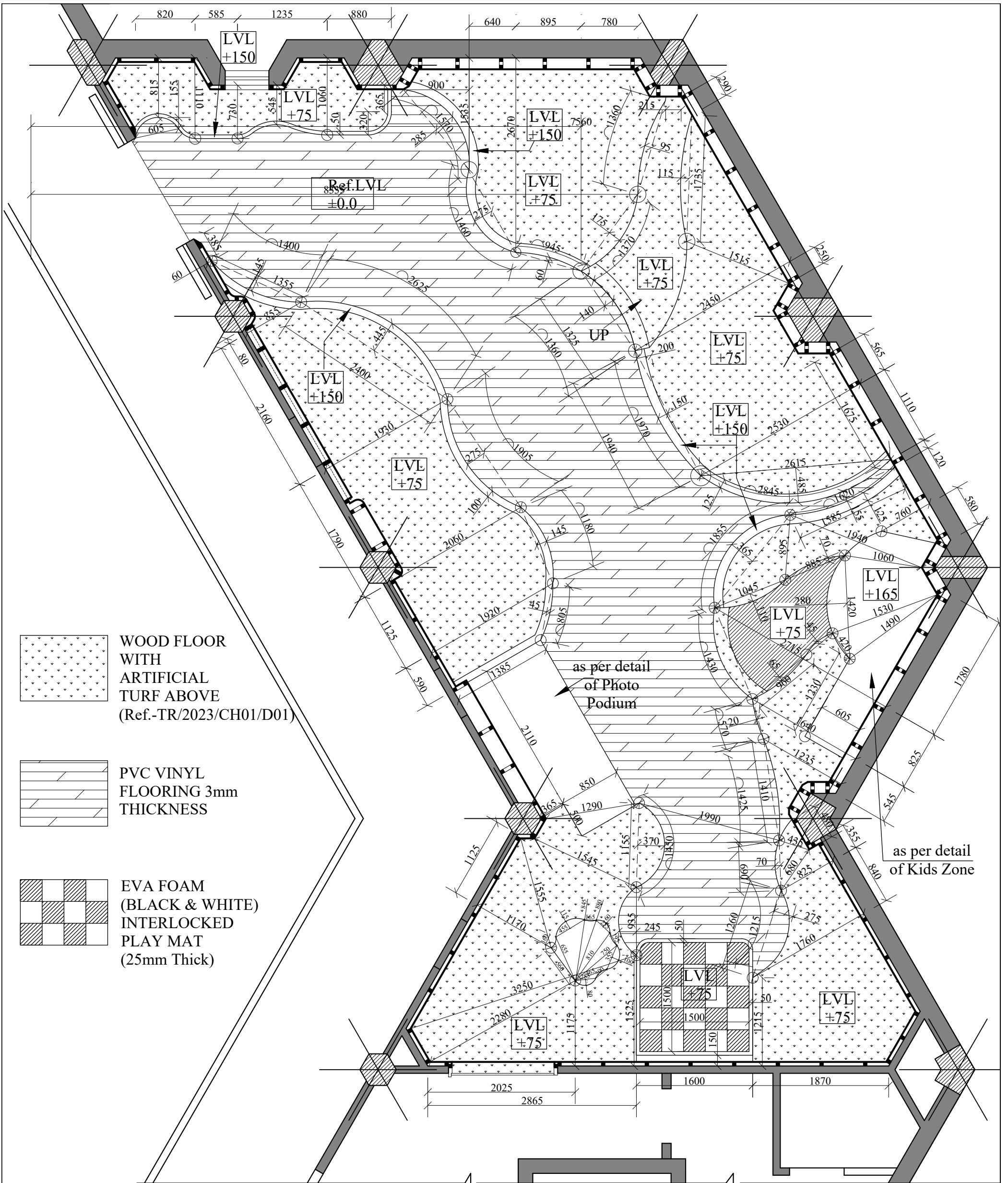


REGIONAL SCIENCE CENTER, GUWAHATI, NEZ (A Unit of NCSM)			
PROJ. - Modernization of Sukanta Academy			
DRG. NO.-TR/2023/CH01/ GL01	DATE 28.08.23	TOLERANCE	
TITLE:- GENERAL LAYOUT Children Gallery		NO OFF. 10f1	
DRN. BY - Agency	CKD. BY - SKS	APPRD. BY - SM	



WP -Wall paneling all along  
 the brick walls & pillars  
 with 50x50 teak wood  
 battens vertically @  
 600mm c/c & 25x50 teak  
 wood battens  
 horizontally@ 600mm  
 c/c and with 12mm  
 plywood with 1mm  
 laminate finish  
 Height - 3200 mm

REGIONAL SCIENCE CENTER, GUWAHATI, NEZ (A Unit of NCSM)			
PROJ. - Modernization of Sukanta Academy			
DRG. NO.-TR/2023/CH01/ GL02	DATE 28.08.23	TOLERANCE	
TITLE:- WALL PANELING LAYOUT Children Gallery		NO OFF. 10f1	
DRN. BY - Agency	CKD. BY - SKS	APPRD. BY - SM	



REGIONAL SCIENCE CENTER, GUWAHATI, NEZ  
(A Unit of NCSM)

PROJ. - Modernization of Sukanta Academy

DRG. NO.-TR/2023/CH01/ GL03	DATE 28.08.23	TOLERANCE
-----------------------------	------------------	-----------

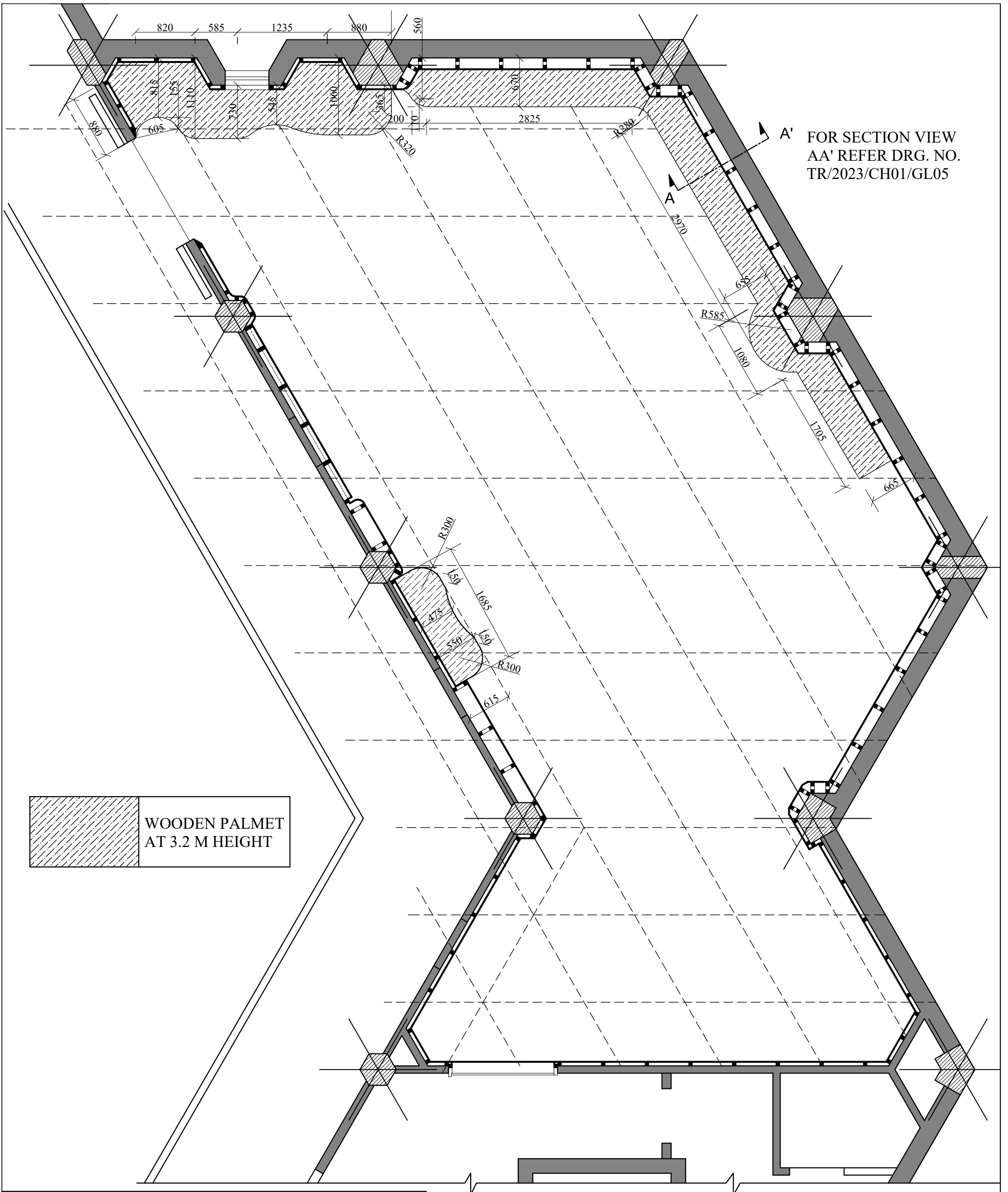
TITLE:- FLOORING LAYOUT Children Gallery	NO OFF. 10f1
---	-----------------

DRN. BY - Agency	CKD. BY - SKS	APPRD. BY - SM
------------------	---------------	----------------

Note:

Approximate flooring area is as mentioned below:

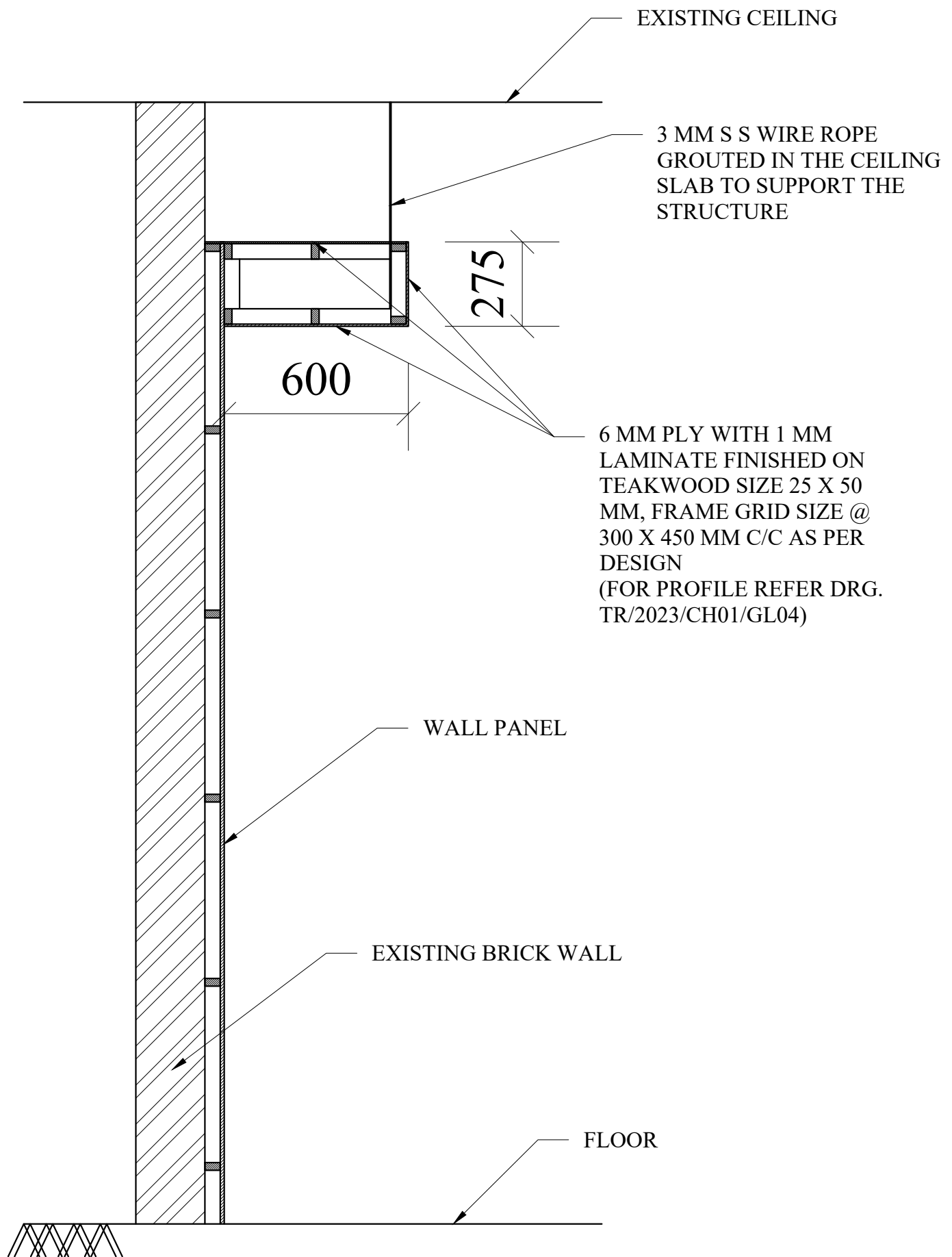
1. Vinyl flooring - 500 sq ft
2. Wooden flooring with Artificial turf - 1000 sq ft
3. EVA foam sheet interlocked - 35 sq ft



A' FOR SECTION VIEW  
AA' REFER DRG. NO.  
TR/2023/CH01/GL05


WOODEN PALMET  
AT 3.2 M HEIGHT

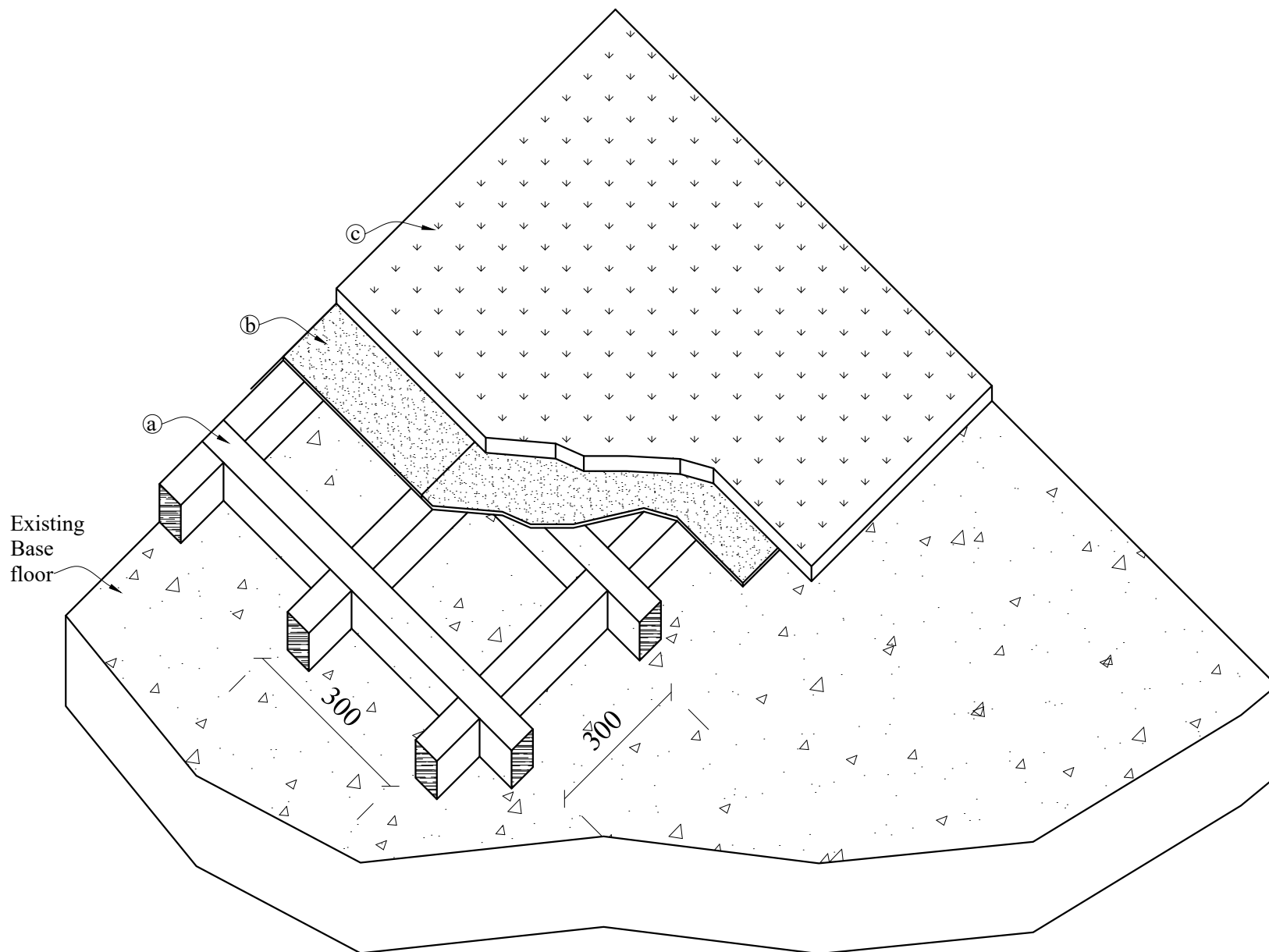
REGIONAL SCIENCE CENTER, GUWAHATI, NEZ (A Unit of NCSM)			
PROJ. - Modernization of Sukanta Academy			
DRG. NO.-TR/2023/CH01/ GL04	DATE 28.08.23	TOLERANCE	
TITLE:- GENERAL ILLUMINATION Children Gallery		NO OFF. 10f1	
DRN. BY - Agency	CKD. BY - SKS	APPRD. BY - SM	



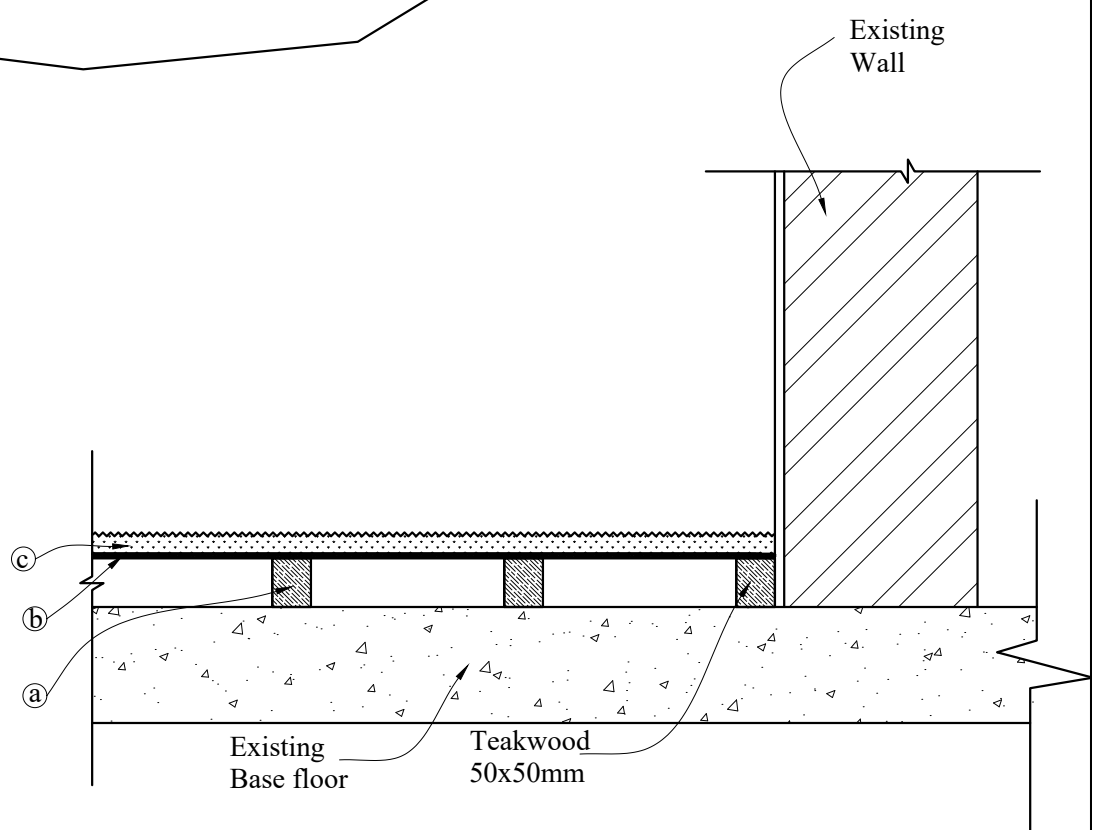
SECTION AA'

TYPICAL SECTION OF FALSE CEILING/PALMET

REGIONAL SCIENCE CENTER, GUWAHATI, NEZ (A Unit of NCSM)			
PROJ. - Modernization of Sukanta Academy			
DRG. NO.-TR/2023/CH01/GL05	DATE 07.10.23	TOLERANCE	
TITLE:- DETAILS OF FALSE CEILING / PALMET			NO OFF. 10f1
DRN. BY - Agency	CKD. BY - SKS	APPRD. BY - SM	



- a) 300MM X 300 MM GRID MADE OF TEAK WOOD JOISTS OF 50MM X 50MM.
- b) 25 MM BWP PLYWOOD BASE
- c) 35MM THICK ARTIFICIAL POLYETHYLENE TURF AS APPROVED



REGIONAL SCIENCE CENTER, GUWAHATI, NEZ  
(A Unit of NCSM)

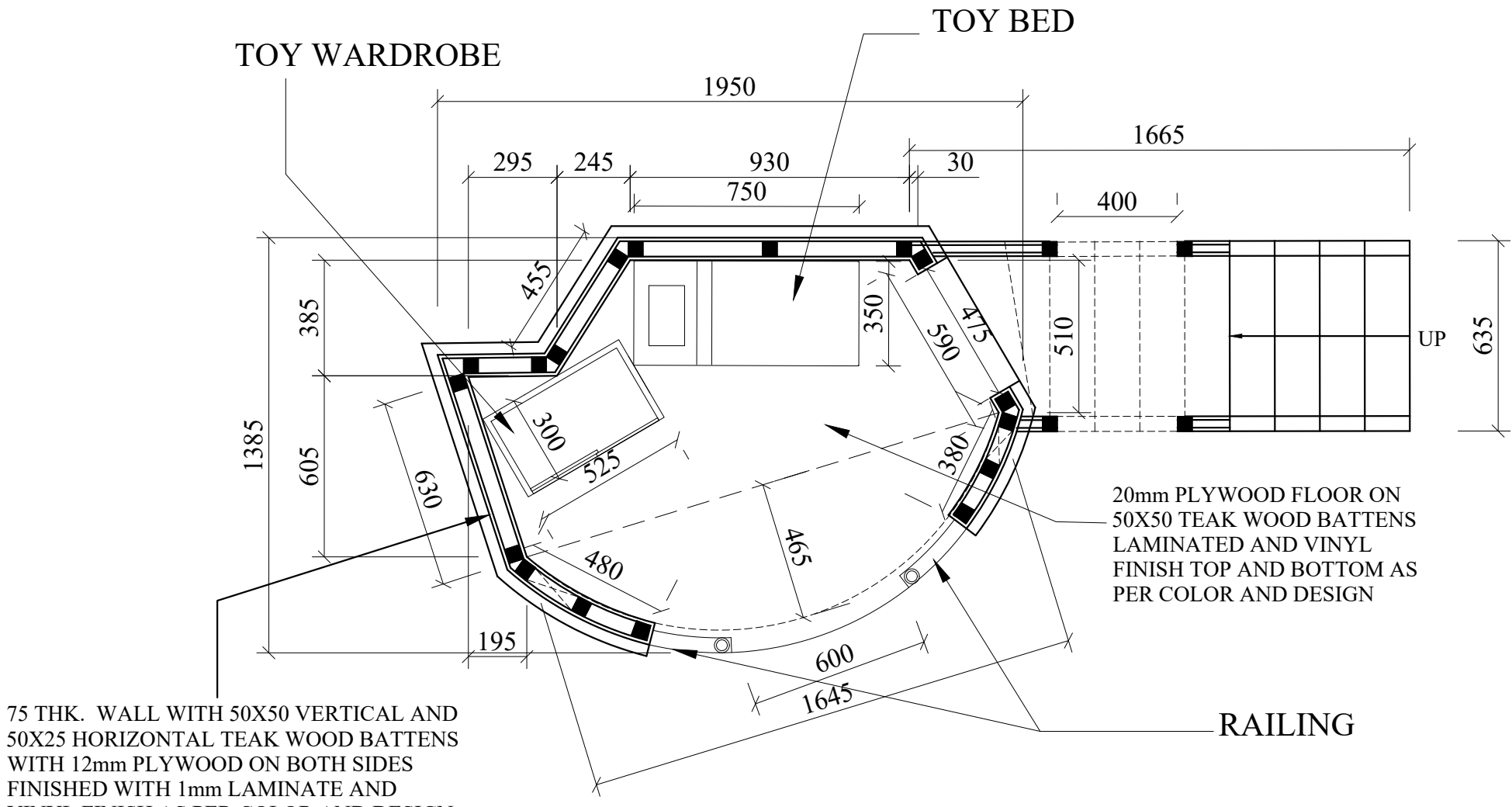


PROJ. - Modernization of Sukanta Academy

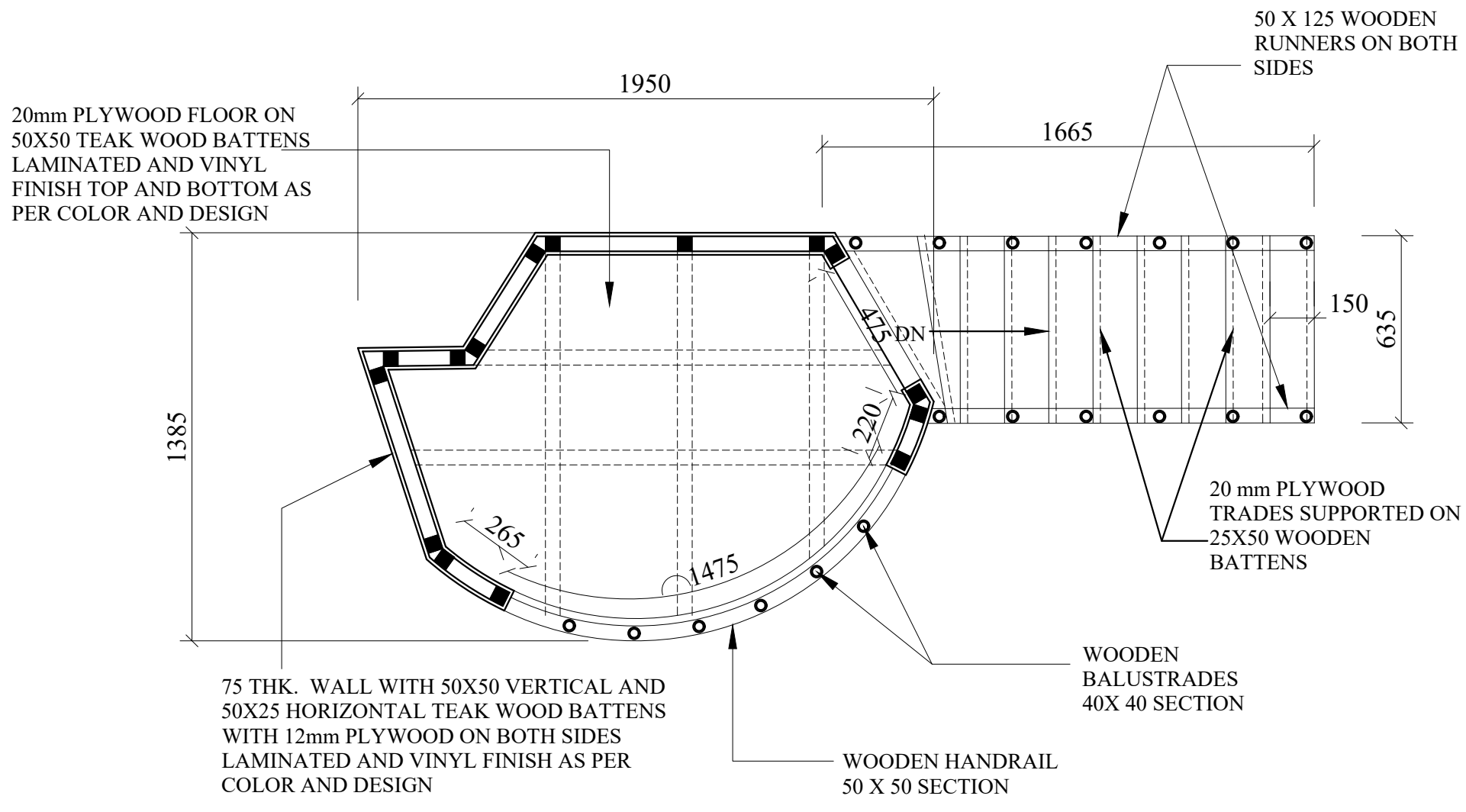
DRG. NO.-TR/2023/CH01/D01	DATE 28.08.23	TOLERANCE
---------------------------	------------------	-----------

TITLE:- DETAIL of ARTIFICIAL TURF ON WOODEN FLOOR	NO OFF. 10f1
---	-----------------

DRN. BY - Agency	CKD. BY - SKS	APPRD. BY - SM
------------------	---------------	----------------

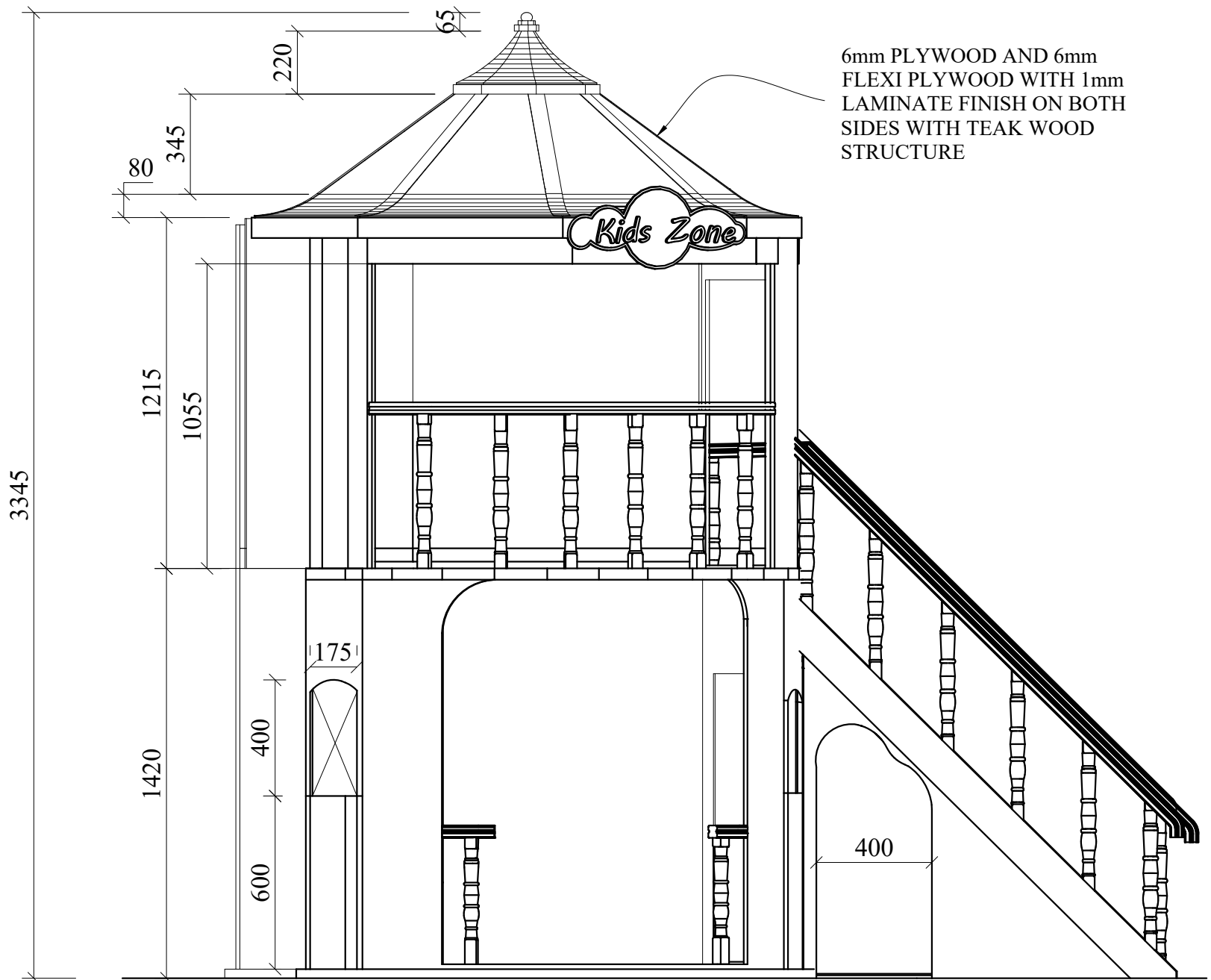


**GROUND LEVEL PLAN**

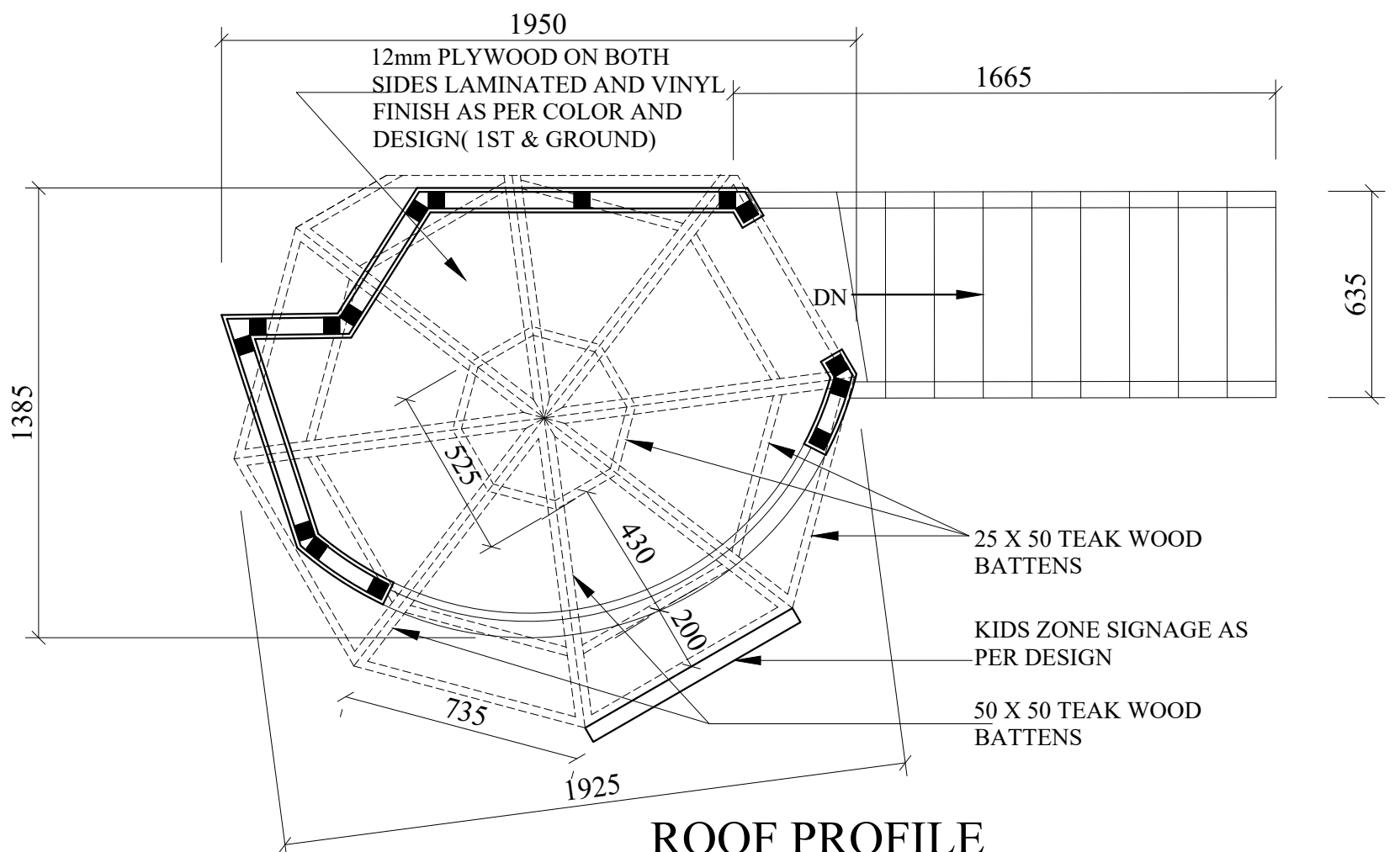


**UPPER LEVEL PLAN**

REGIONAL SCIENCE CENTER, GUWAHATI, NEZ (A Unit of NCSM)			
PROJ. - Modernization of Sukanta Academy			
DRG. NO.-TR/2023/CH01/D02	DATE 28.08.23	TOLERANCE	
TITLE:- DETAIL of KIDS ZONE Children Gallery		NO OFF. 10f1	
DRN. BY - Agency	CKD. BY - SKS	APPRD. BY - SM	



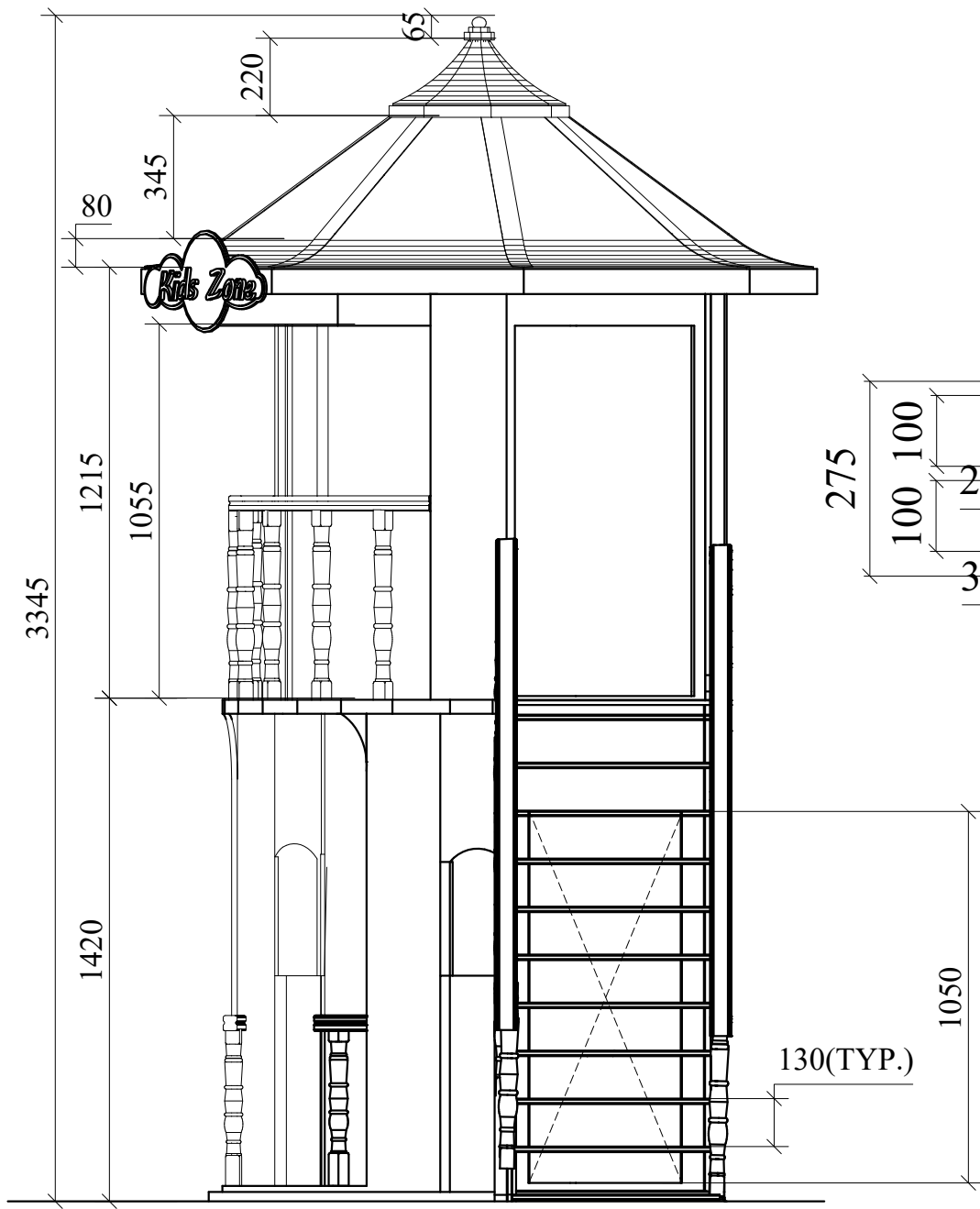
**FRONT ELEVATION**



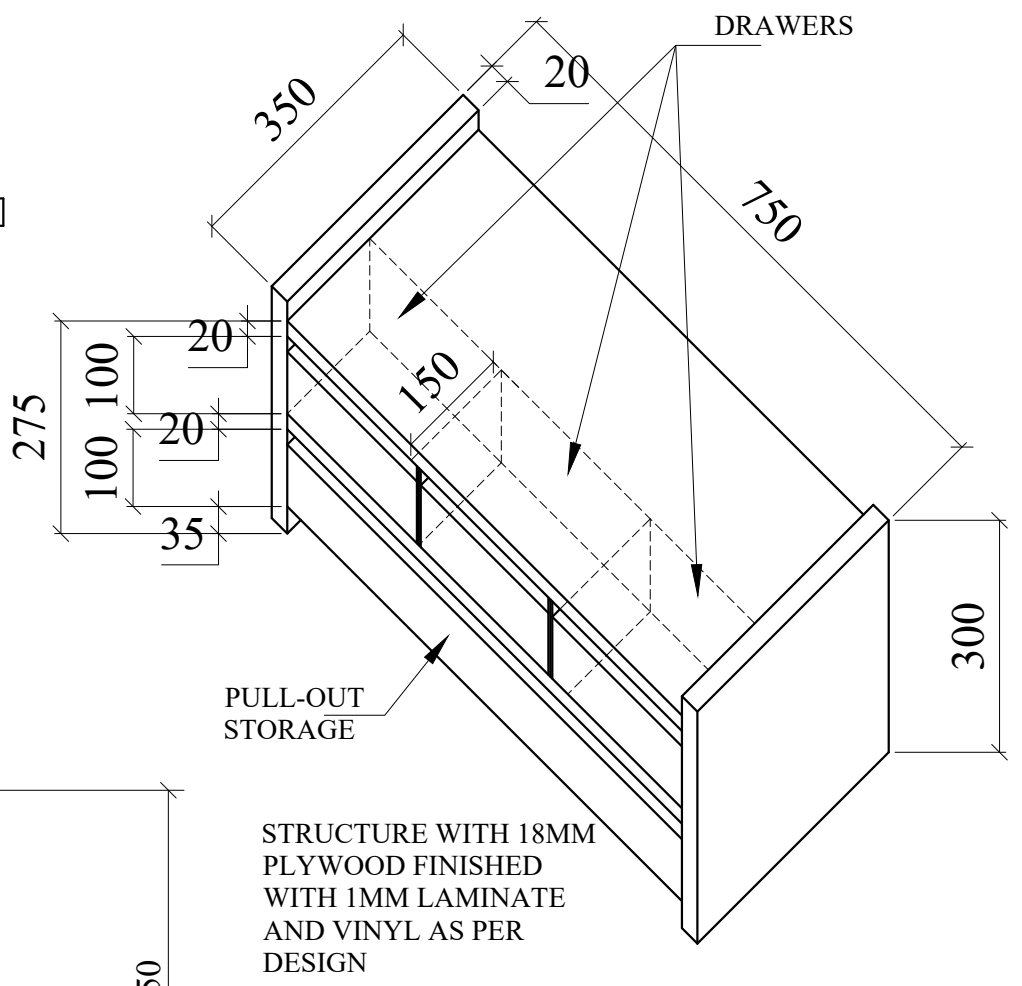
**ROOF PROFILE**

REGIONAL SCIENCE CENTER, GUWAHATI, NEZ (A Unit of NCSM)			
PROJ. - Modernization of Sukanta Academy			
DRG. NO.-TR/2023/CH01/D03	DATE 28.08.23	TOLERANCE	
TITLE:- DETAIL of KIDS ZONE Children Gallery		NO OFF. 10f1	
DRN. BY - Agency	CKD. BY - SKS	APPRD. BY - SM	



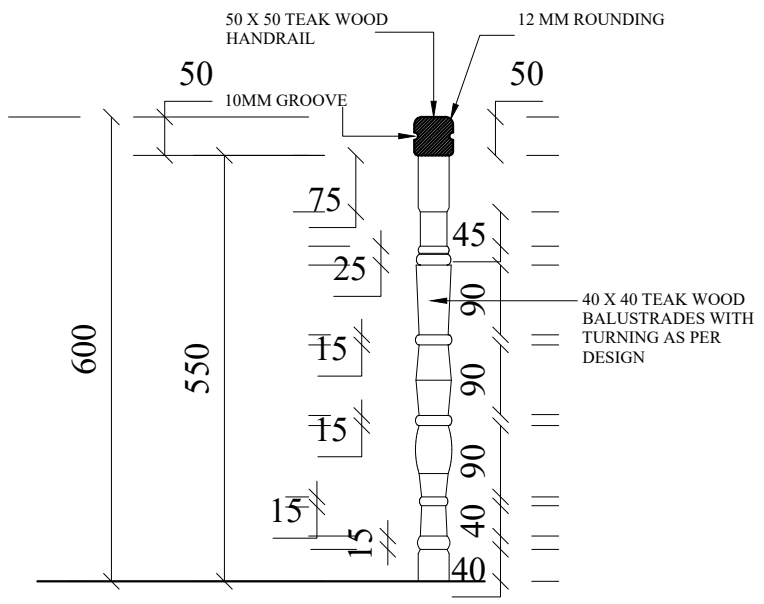


**SIDE ELEVATION**

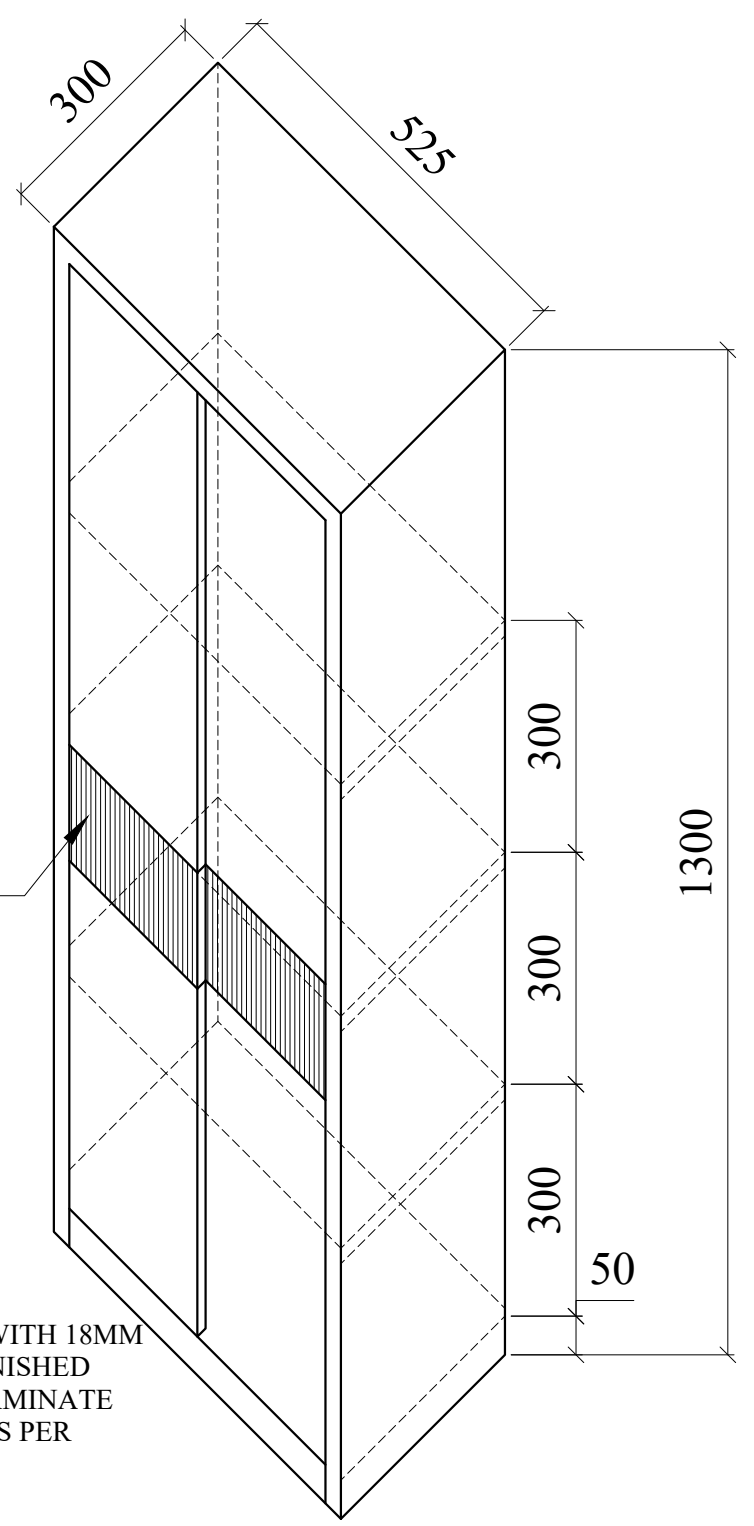


STRUCTURE WITH 18MM PLYWOOD FINISHED WITH 1MM LAMINATE AND VINYL AS PER DESIGN

**DETAIL OF TOY BED**



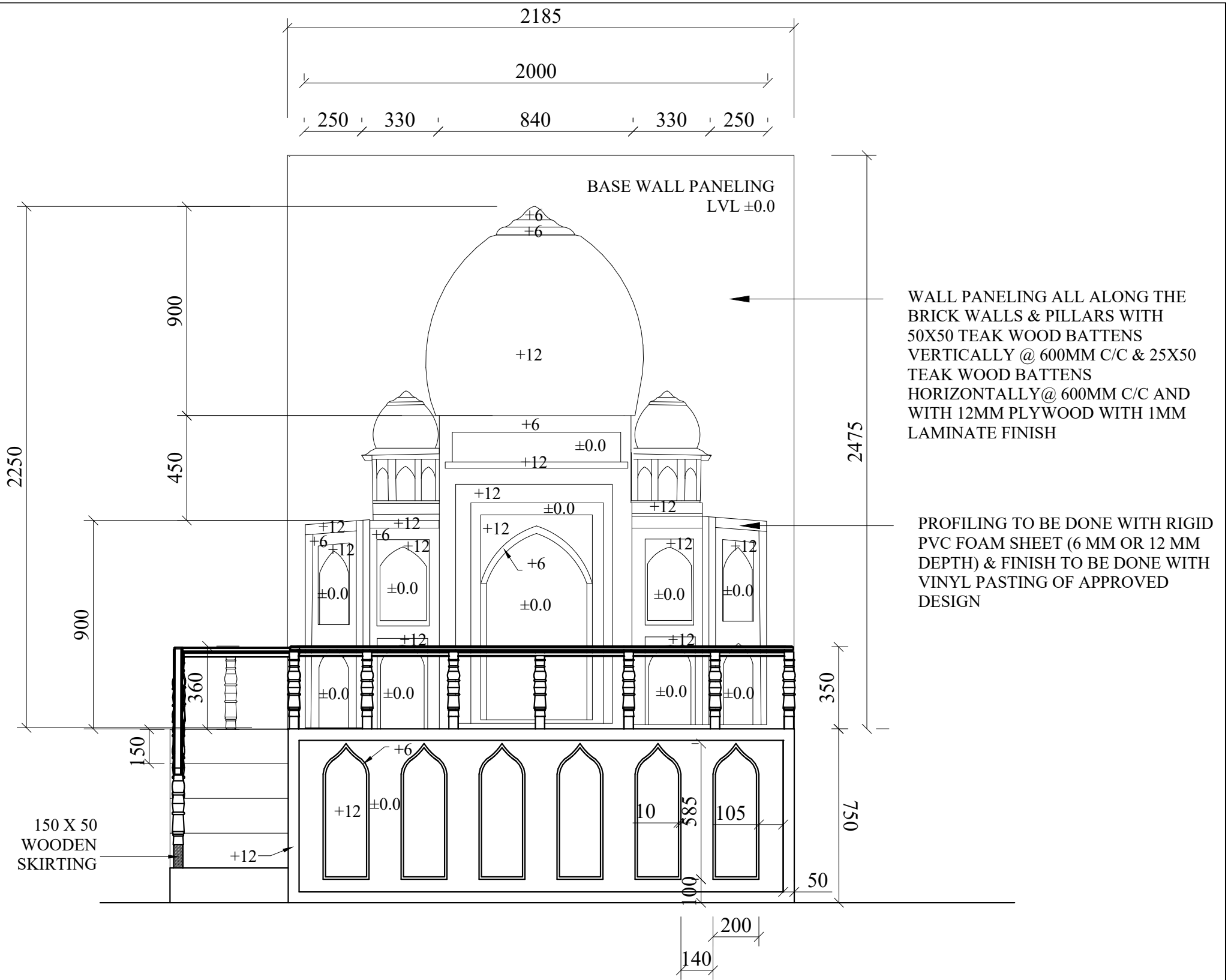
**TYPICAL RAILING DETAIL OF KIDS ZONE**



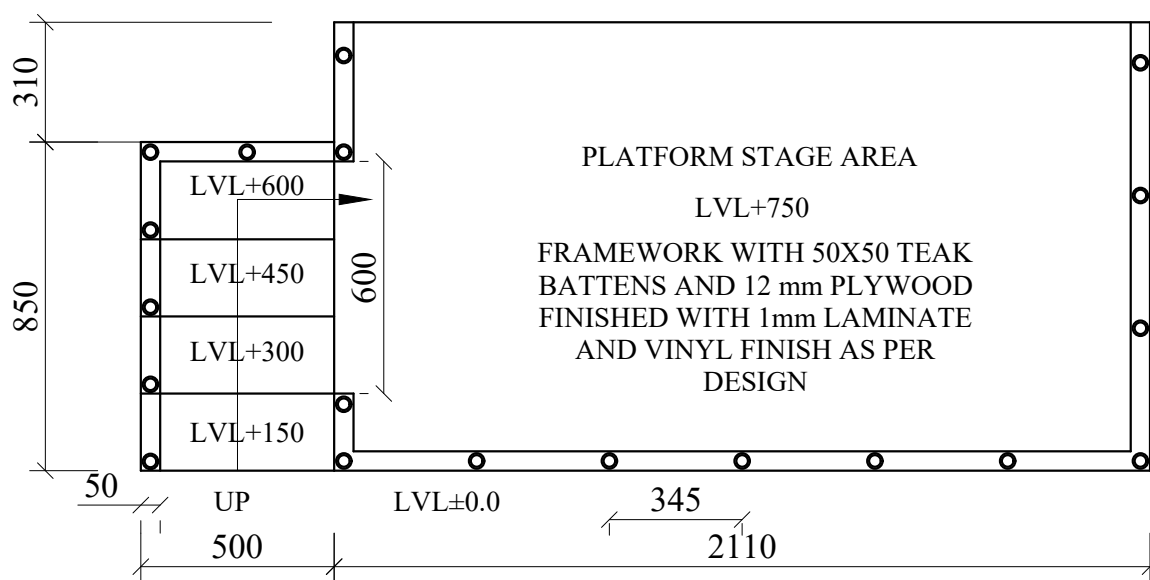
STRUCTURE WITH 18MM PLYWOOD FINISHED WITH 1MM LAMINATE AND VINYL AS PER DESIGN

**DETAIL OF TOY WARDROBE**

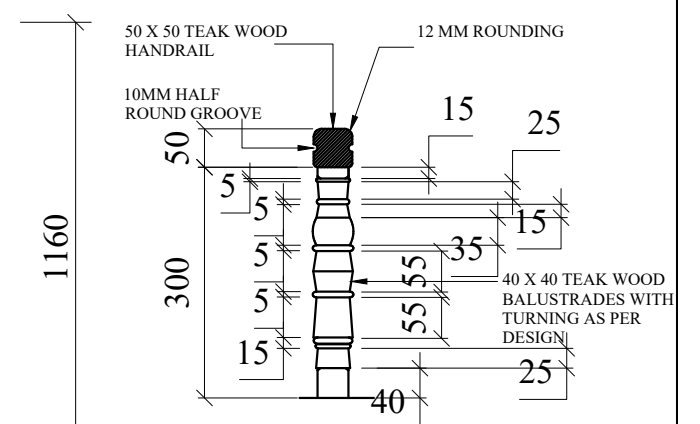
REGIONAL SCIENCE CENTER, GUWAHATI, NEZ (A Unit of NCSM)		
PROJ. - Modernization of Sukanta Academy		
DRG. NO.-TR/2023/CH01/D04	DATE 28.08.23	TOLERANCE
TITLE:- DETAIL of KIDS ZONE Children Gallery		NO OFF. 10f1
DRN. BY - Agency	CKD. BY - SKS	APPRD. BY - SM



**FRONT ELEVATION**

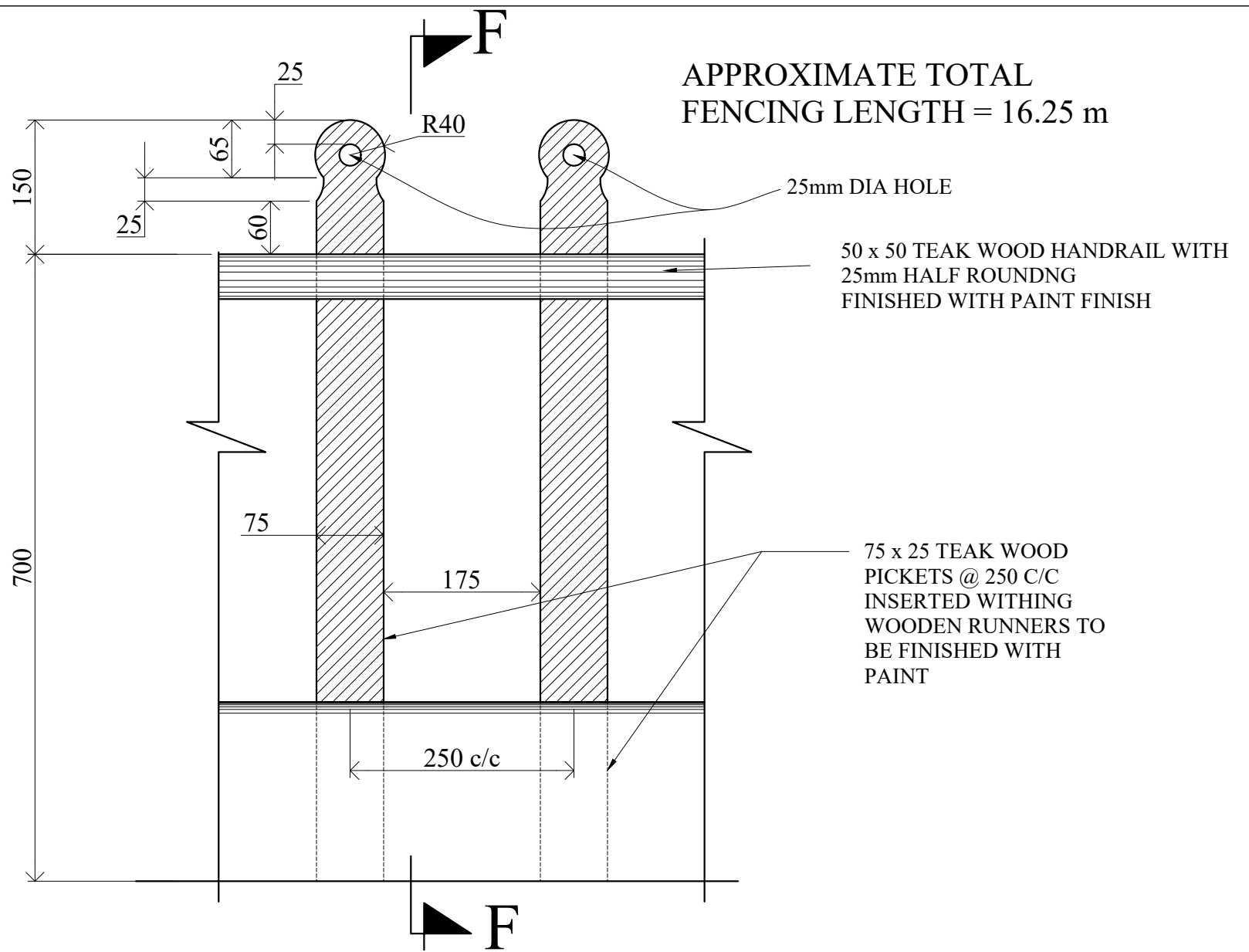


**PLAN**

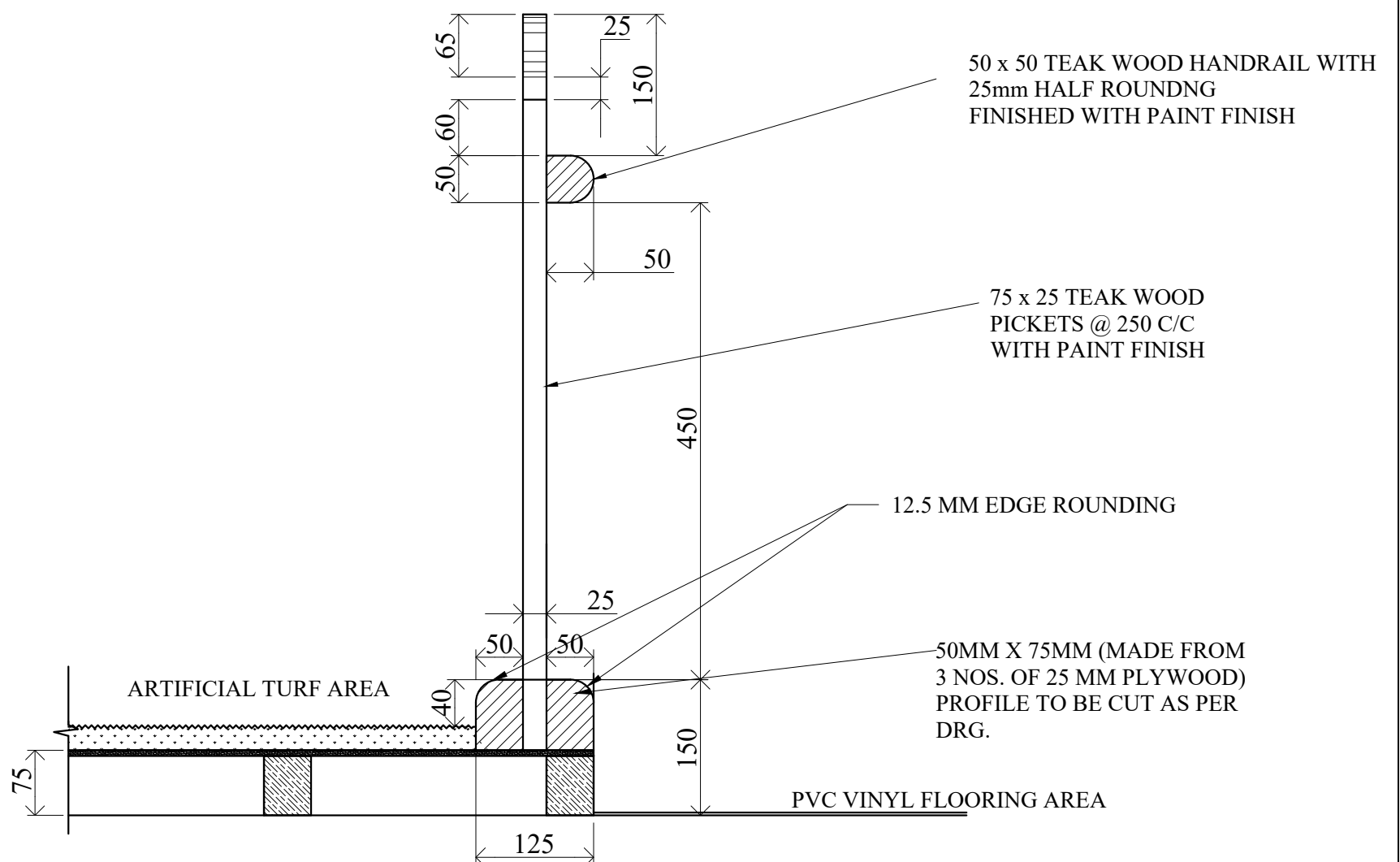


**RAILING DETAIL OF PHOTO PODIUM**

REGIONAL SCIENCE CENTER, GUWAHATI, NEZ (A Unit of NCSM)			
PROJ. - Modernization of Sukanta Academy			
DRG. NO.-TR/2023/CH01/D05	DATE 28.08.23	TOLERANCE	
TITLE:- DETAIL of PHOTO PODIUM Children Gallery			NO OFF. 10f1
DRN. BY - Agency	CKD. BY - SKS	APPRD. BY - SM	

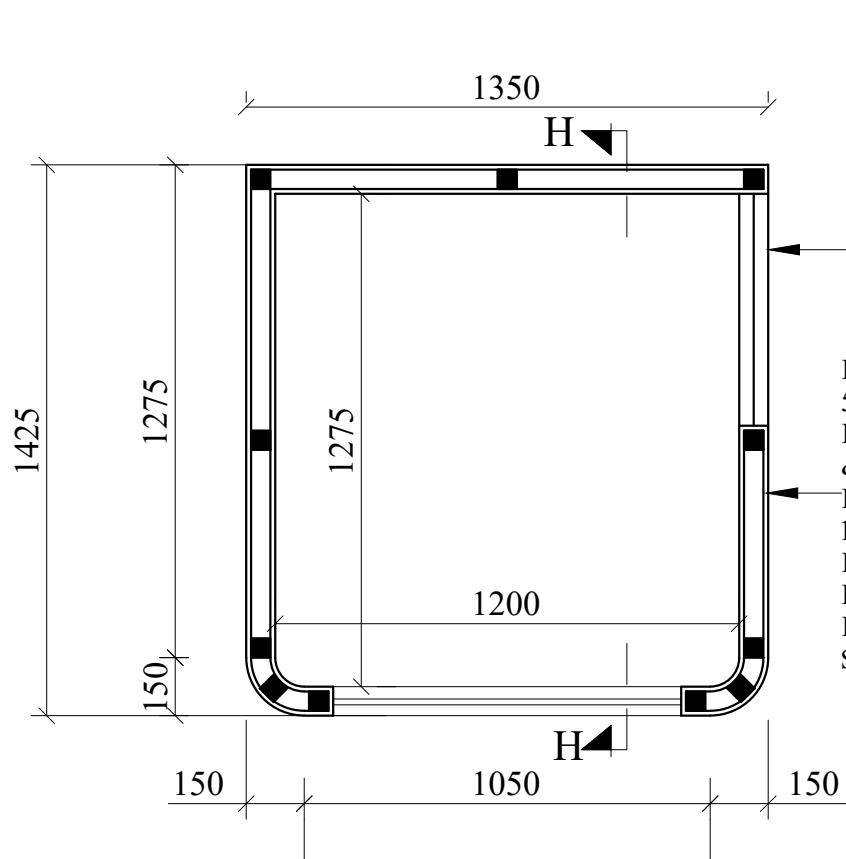


**FENCING ELEVATION**

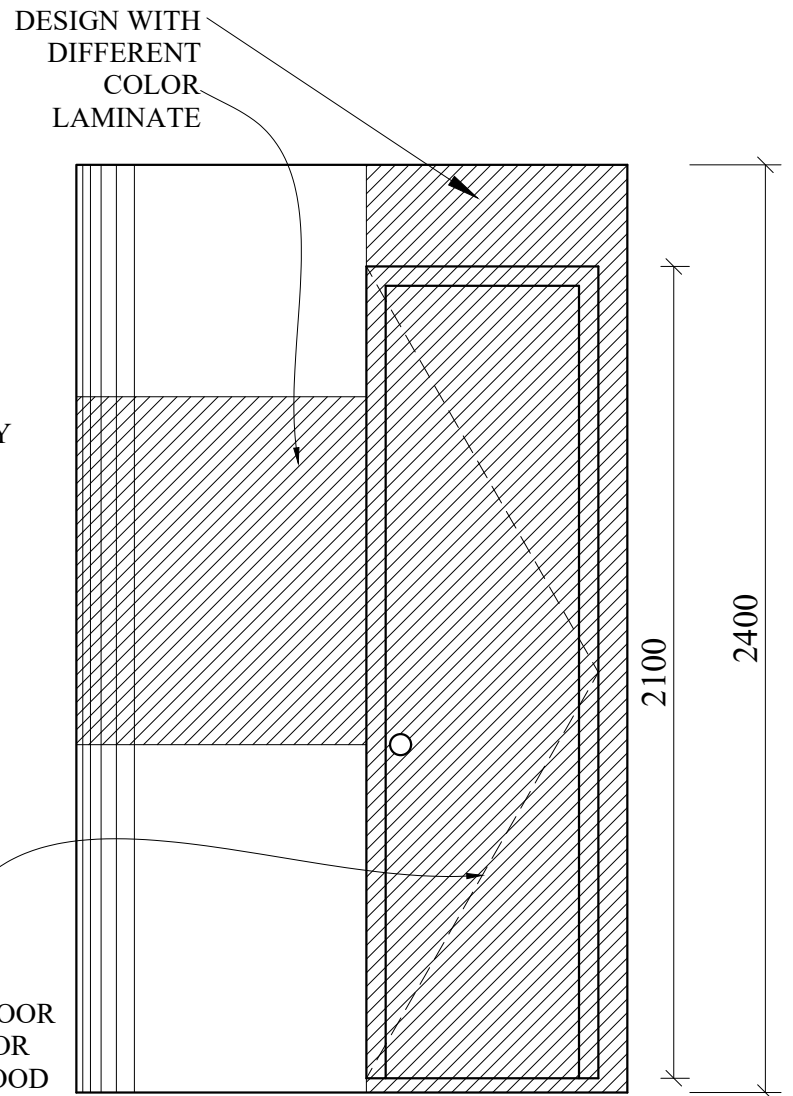


**FENCING SECTION F-F**

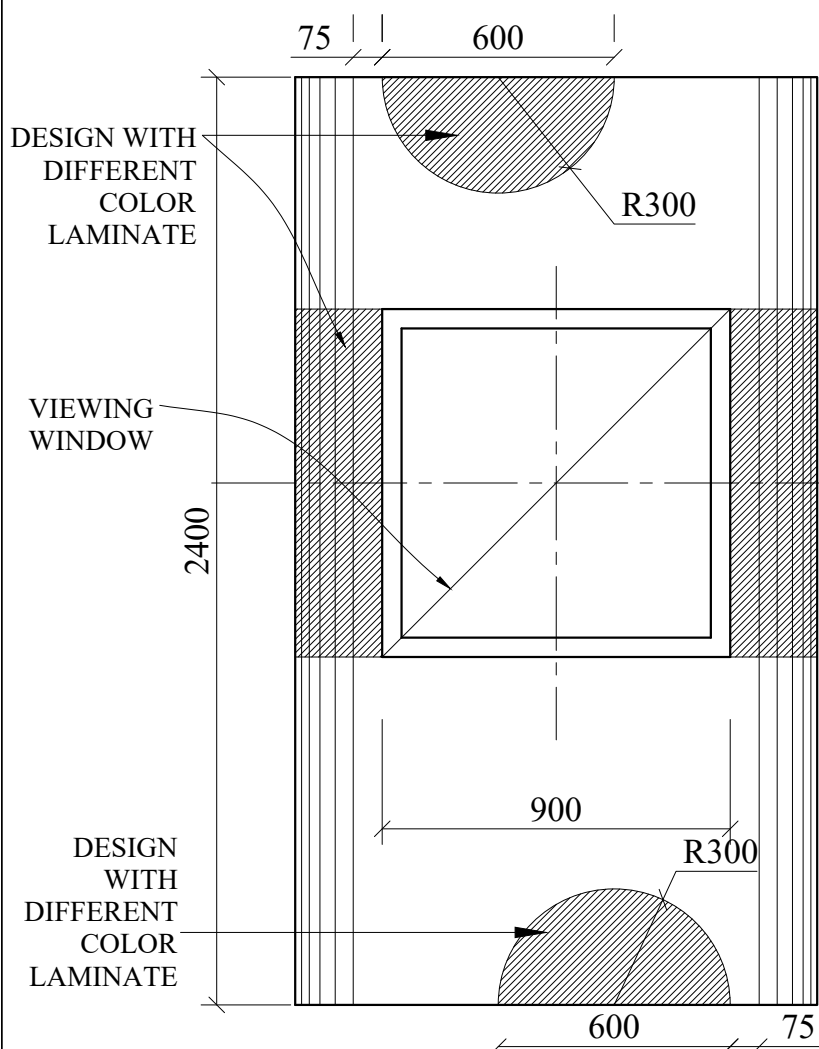
REGIONAL SCIENCE CENTER, GUWAHATI, NEZ (A Unit of NCSM)			
PROJ. - Modernization of Sukanta Academy			
DRG. NO.-TR/2023/CH01/D06	DATE 28.08.23	TOLERANCE	
TITLE:- FENCING DETAIL Children Gallery			NO OFF. 10f1
DRN. BY - Agency	CKD. BY - SKS	APPRD. BY - SM	



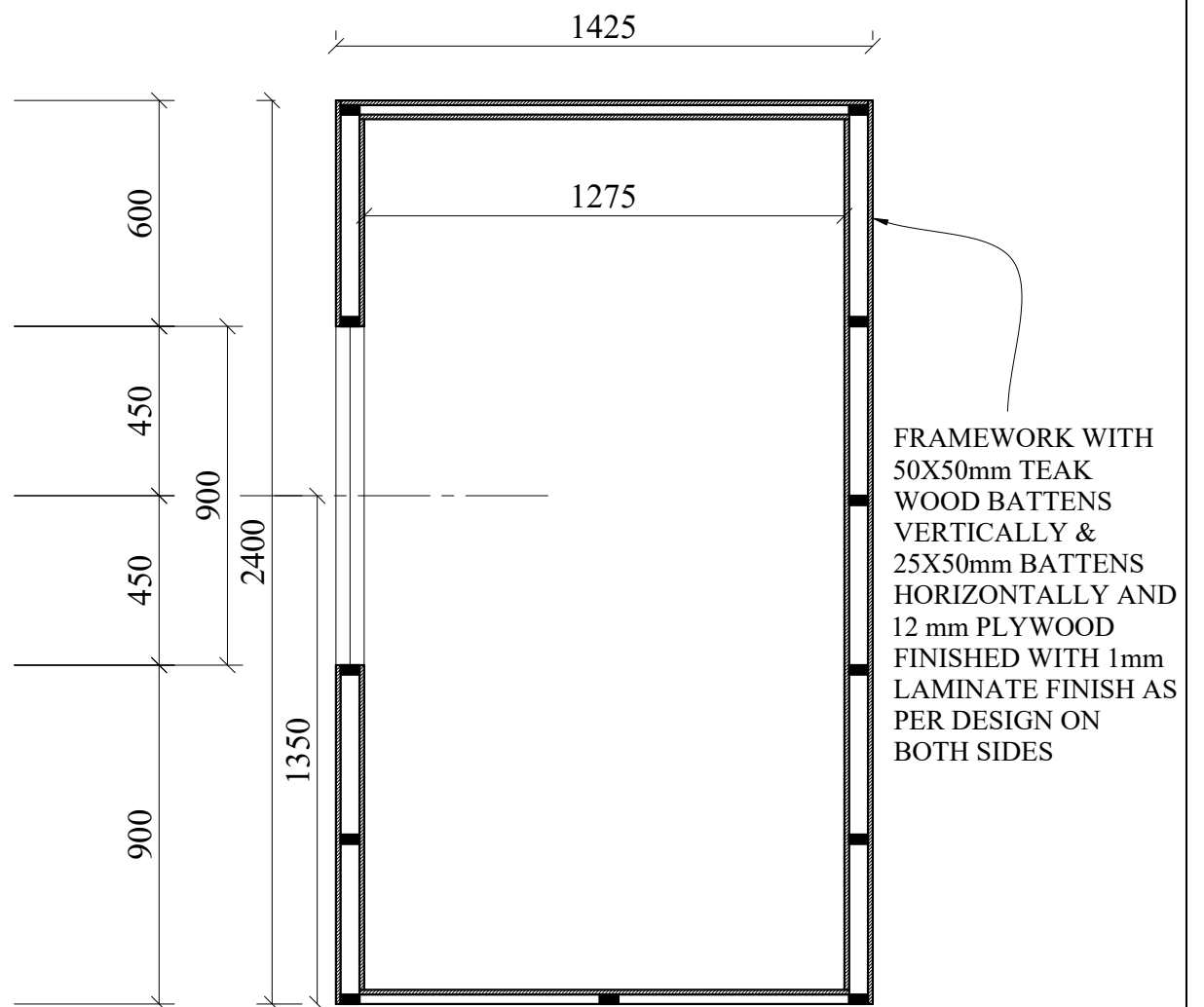
**PLAN**



**SIDE ELEVATION**

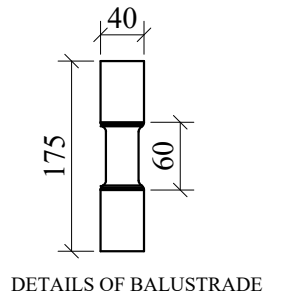
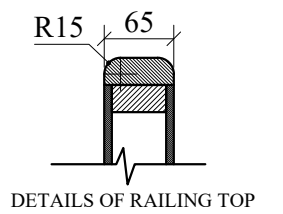
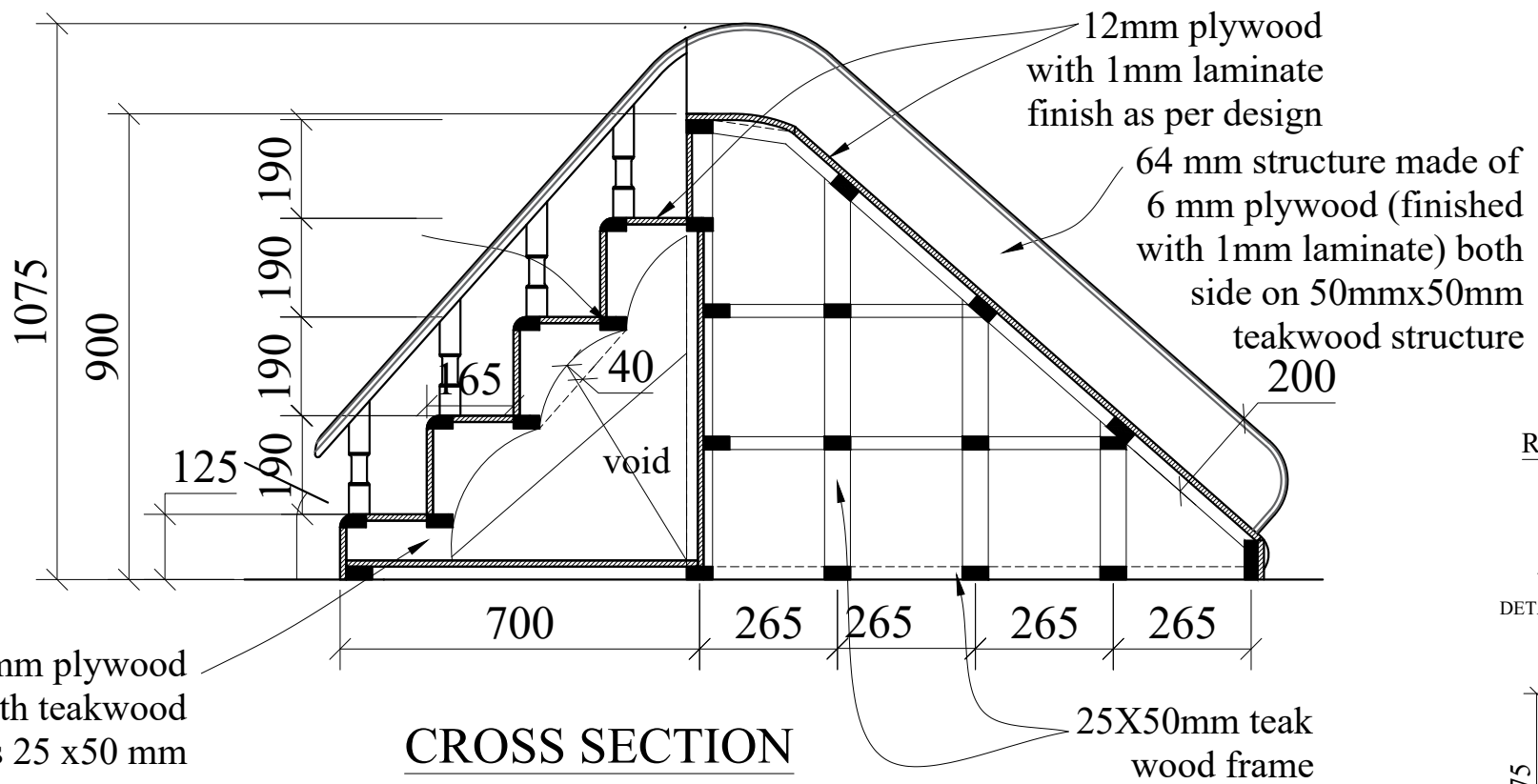
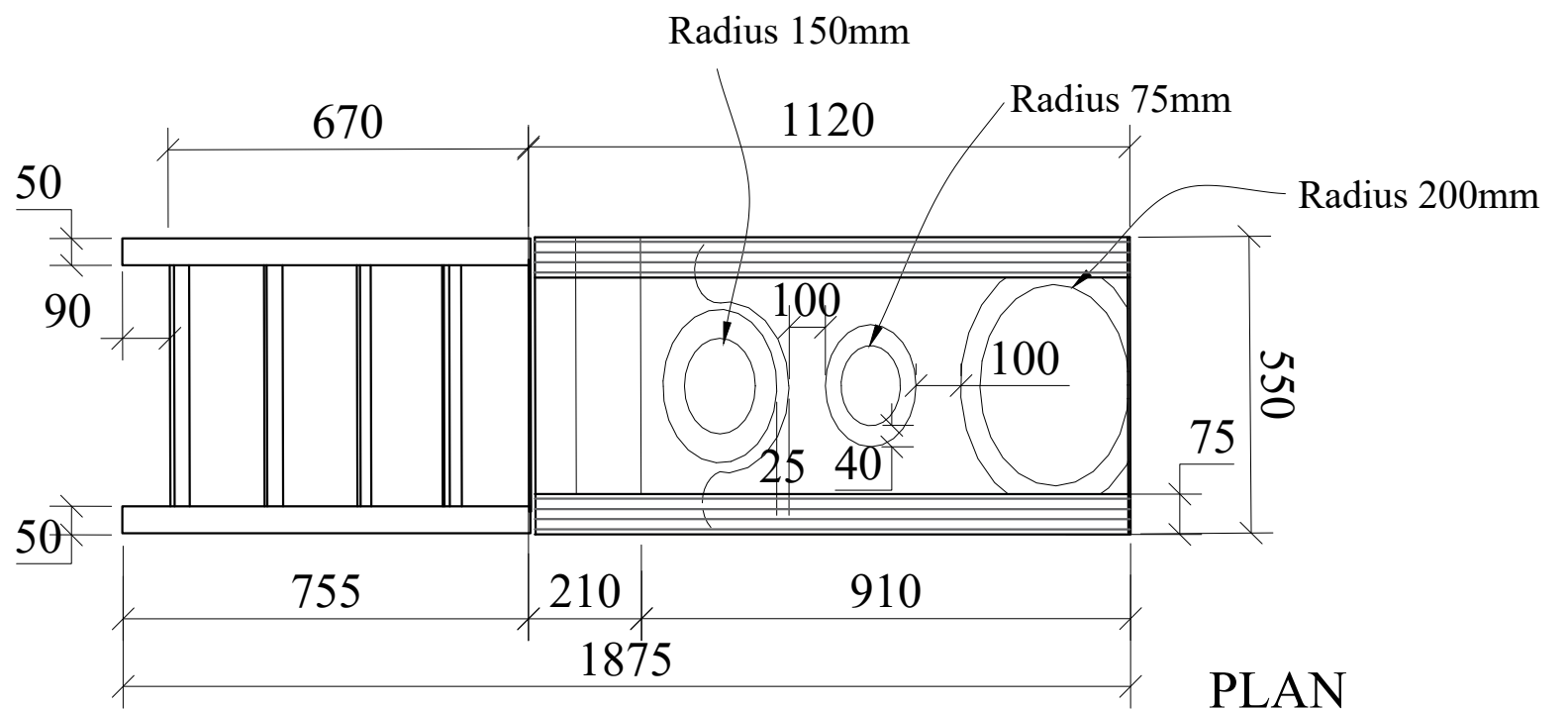


**FRONT ELEVATION**

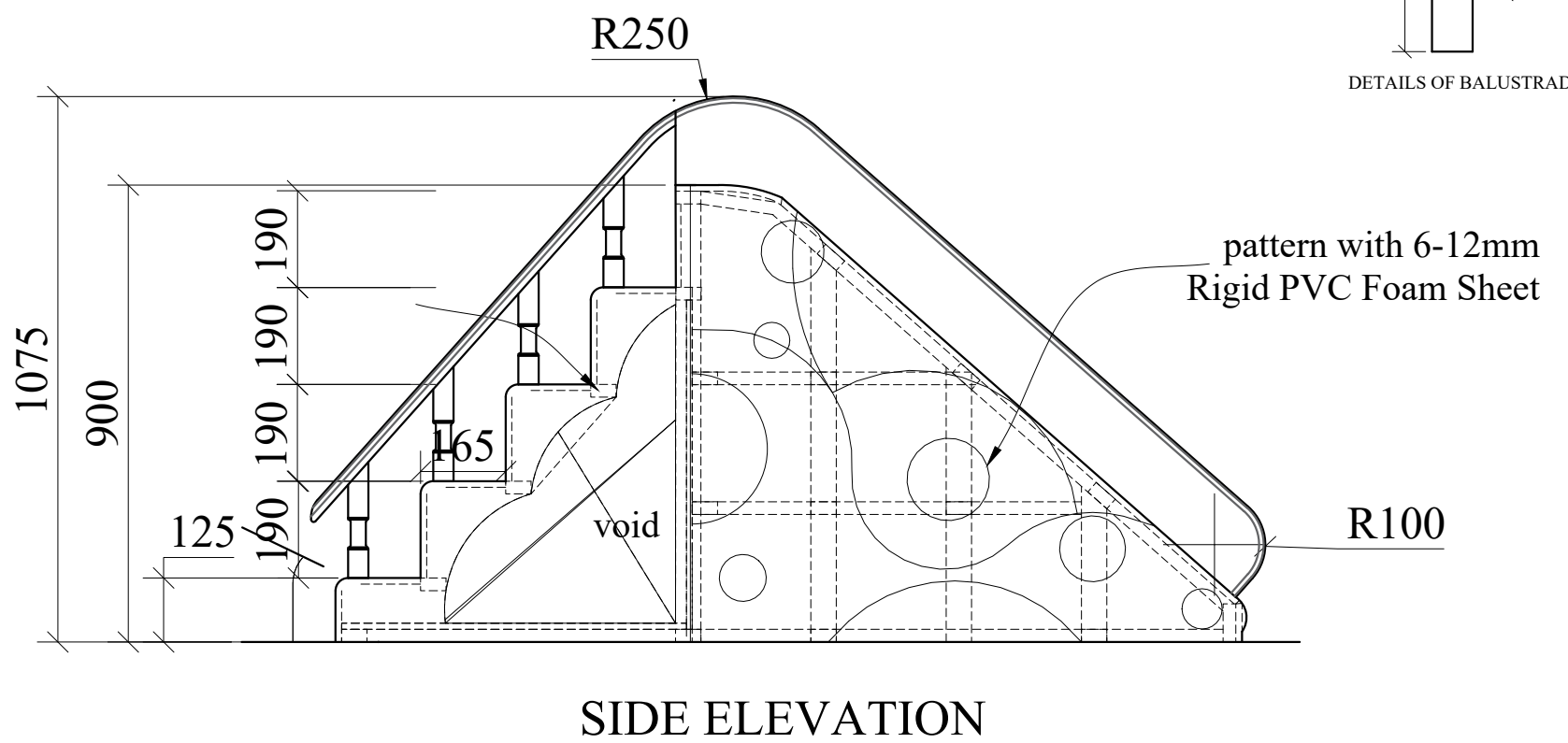


**SECTION H-H**

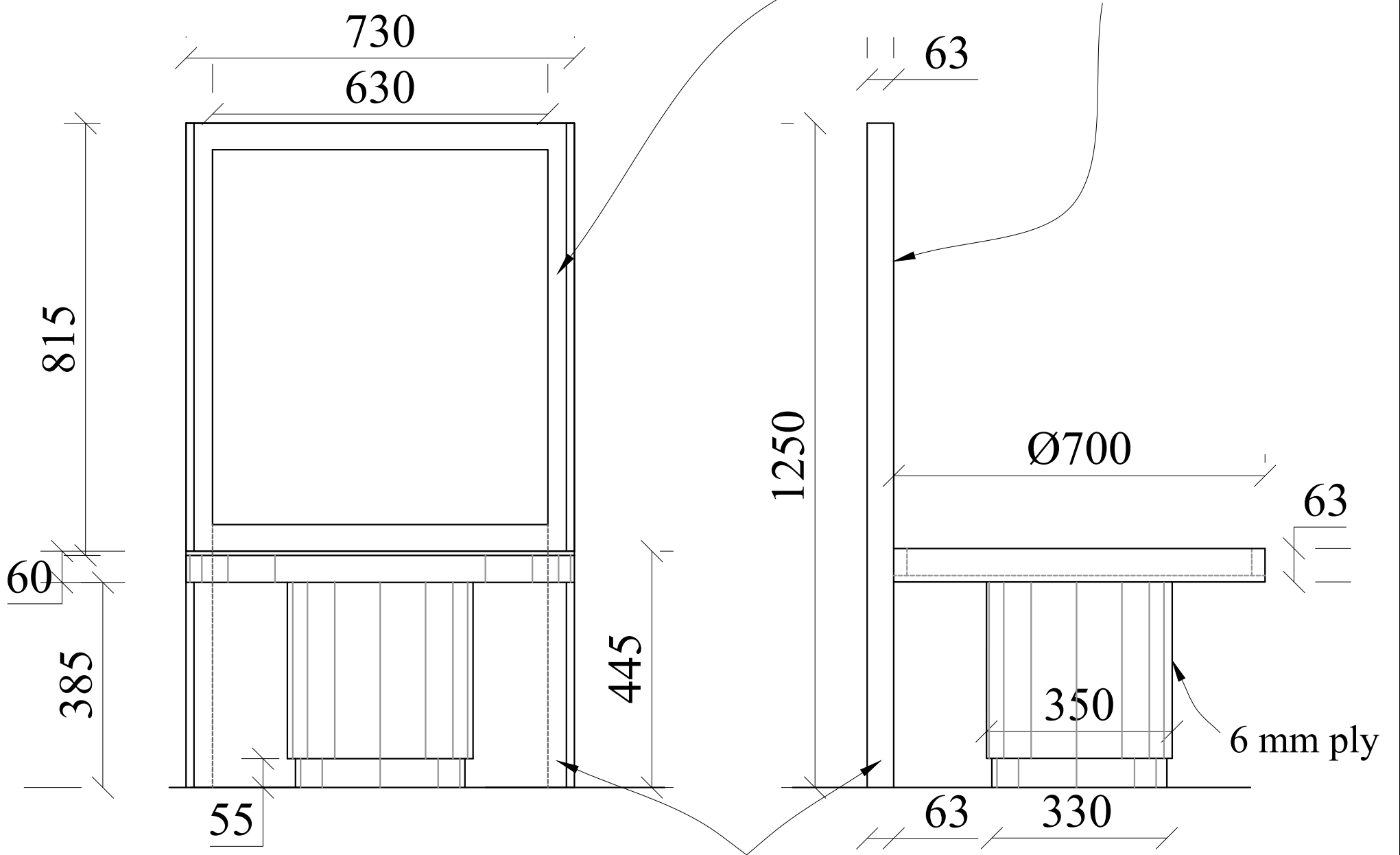
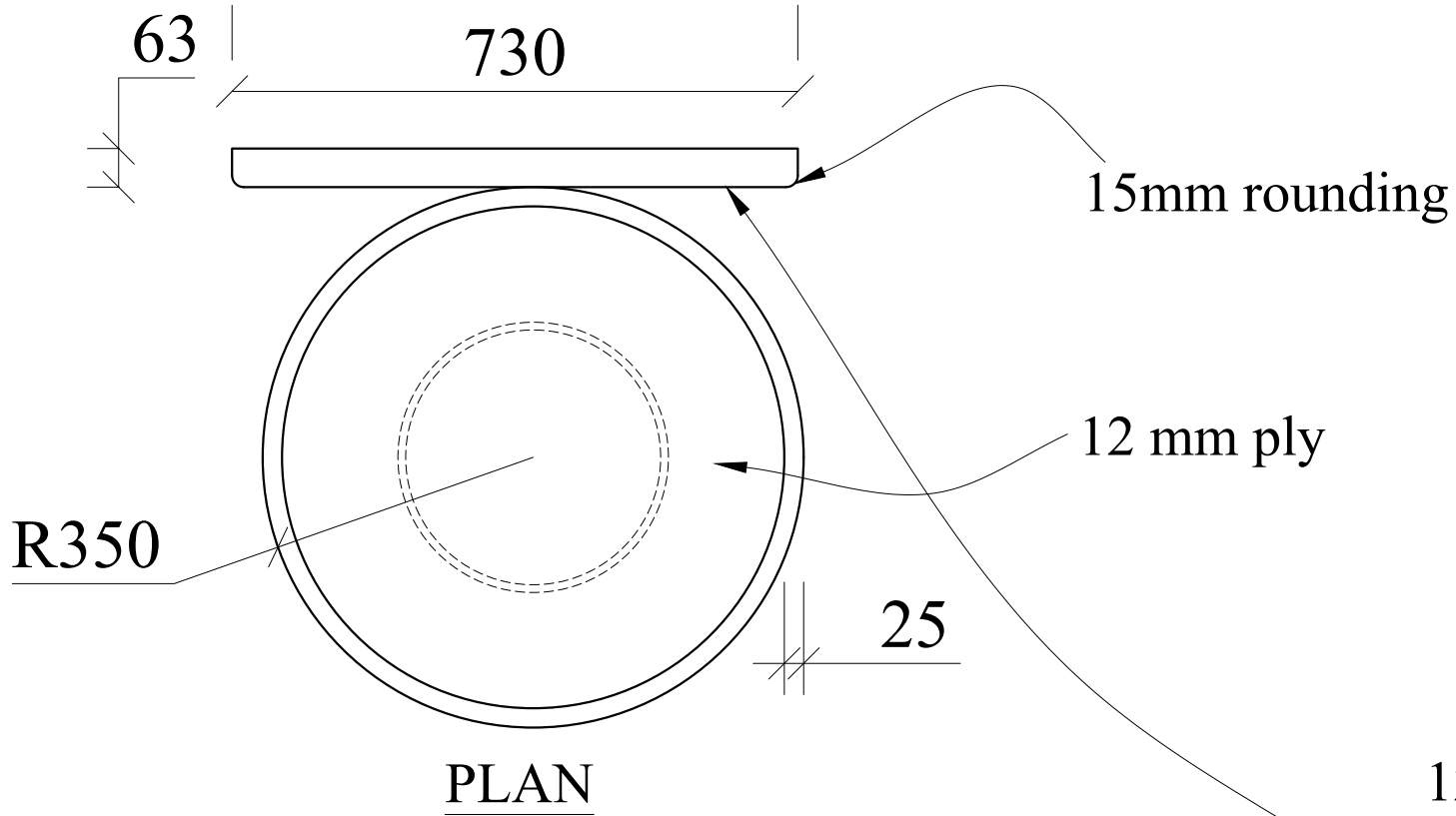
REGIONAL SCIENCE CENTER, GUWAHATI, NEZ (A Unit of NCSM)			
PROJ. - Modernization of Sukanta Academy			
DRG. NO.-TR/2023/CH01/D08	DATE 28.08.23	TOLERANCE	
TITLE:- Details of Hologram Exhibit, Children Gallery		NO OFF. 10f1	
DRN. BY - Agency	CKD. BY - SKS	APPRD. BY - SM	



Made of 25 mm plywood supported with teakwood battens 25 x50 mm




REGIONAL SCIENCE CENTER, GUWAHATI, NEZ (A Unit of NCSM)			
PROJ. - Modernization of Sukanta Academy			
DRG. NO.-TR/2023/CH01/D09	DATE 28.08.23	TOLERANCE	
TITLE:- Details of Slide Exhibit, Children Gallery		NO OFF. 10f1	
DRN. BY - Agency	CKD. BY - SKS	APPRD. BY - SM	

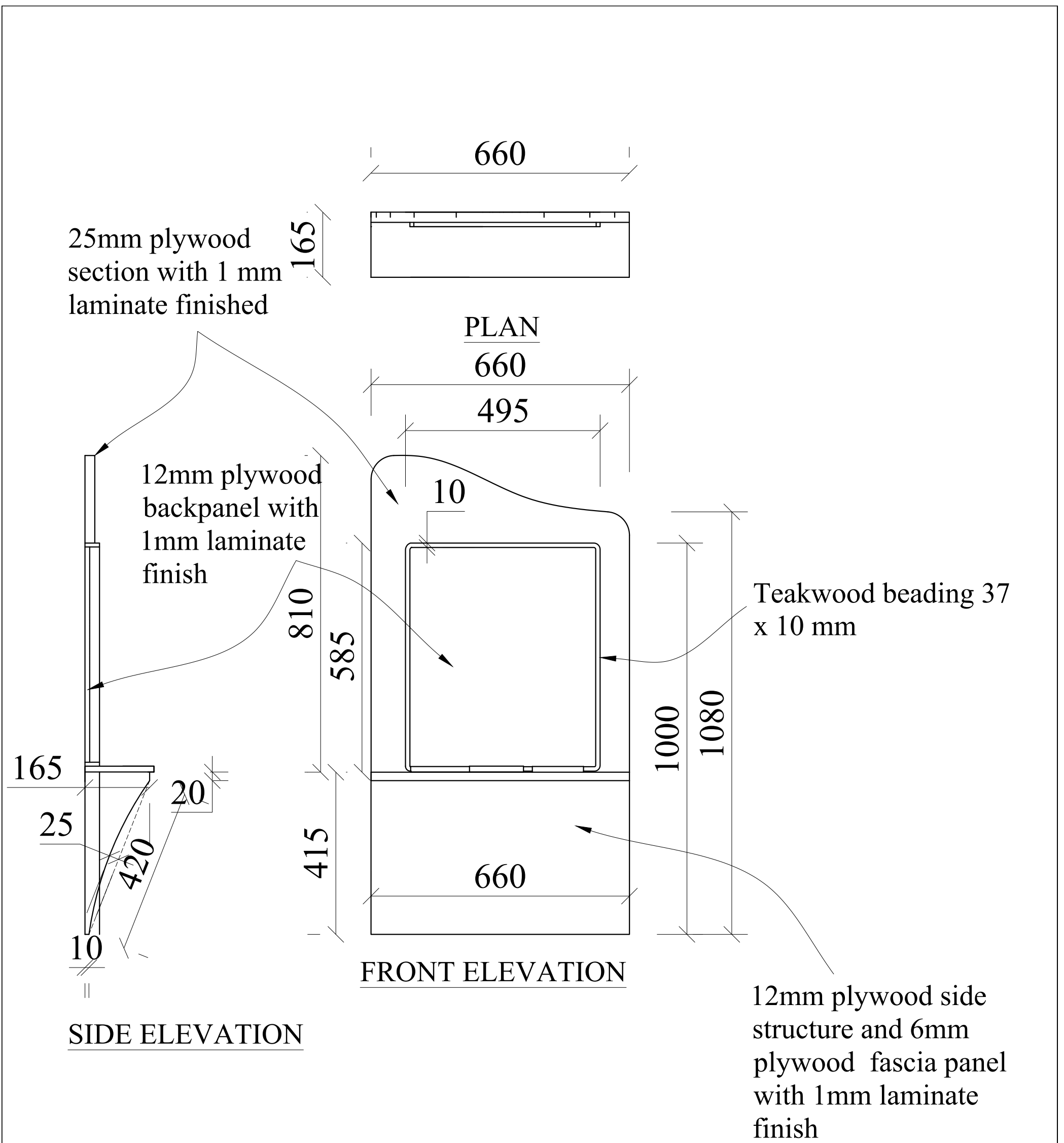



FRONT ELEVATION

50 x 50 mm teakwood  
with 12 mm ply and 1  
mm laminate finished

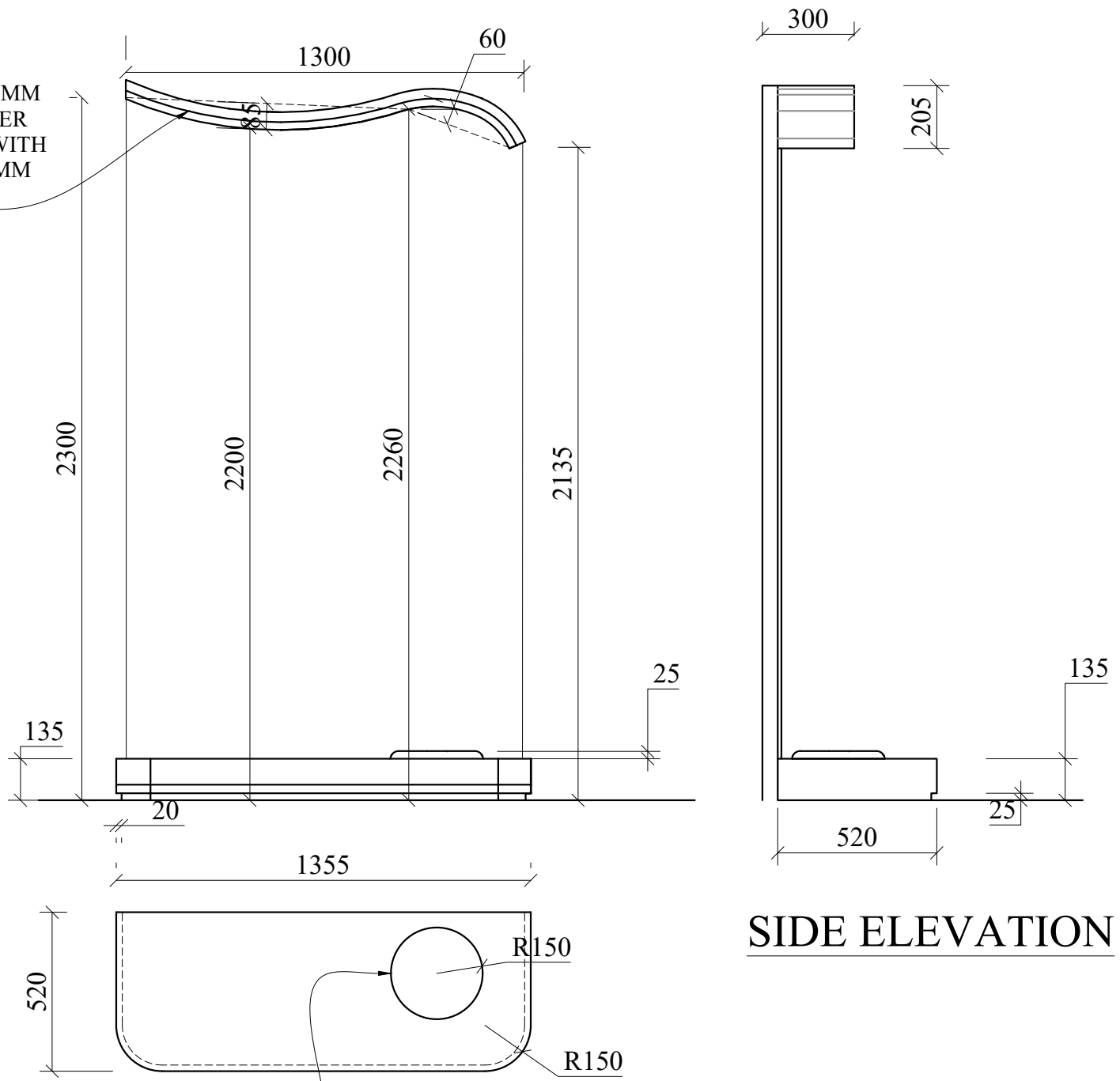
SIDE ELEVATION

REGIONAL SCIENCE CENTER, GUWAHATI, NEZ (A Unit of NCSM)			
PROJ. - Modernization of Sukanta Academy			
DRG. NO.-TR/2023/CH01/D10	DATE 28.08.23	TOLERANCE	
TITLE:- Details of Sand Art Exhibit, Children Gallery		NO OFF. 10f1	
DRN. BY - Agency	CKD. BY - SKS	APPRD. BY - SM	



REGIONAL SCIENCE CENTER, GUWAHATI, NEZ (A Unit of NCSM)			
PROJ. - Modernization of Sukanta Academy			
DRG. NO.-TR/2023/CH01/D11	DATE 28.08.23	TOLERANCE	
TITLE:- Details of Shape Puzzle Exhibit, Children Gallery			NO OFF. 10f1
DRN. BY - Agency	CKD. BY - SKS	APPRD. BY - SM	

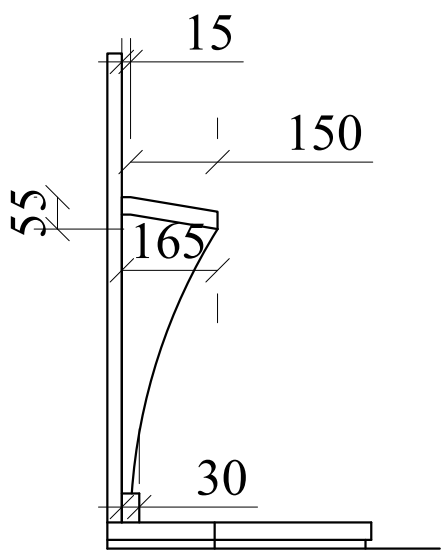
FRAME MADE OF 25 MM PLYWOOD CUT AS PER PROFILE FINISHED WITH 6MM FLEXI PLY & 1MM LAMINATE



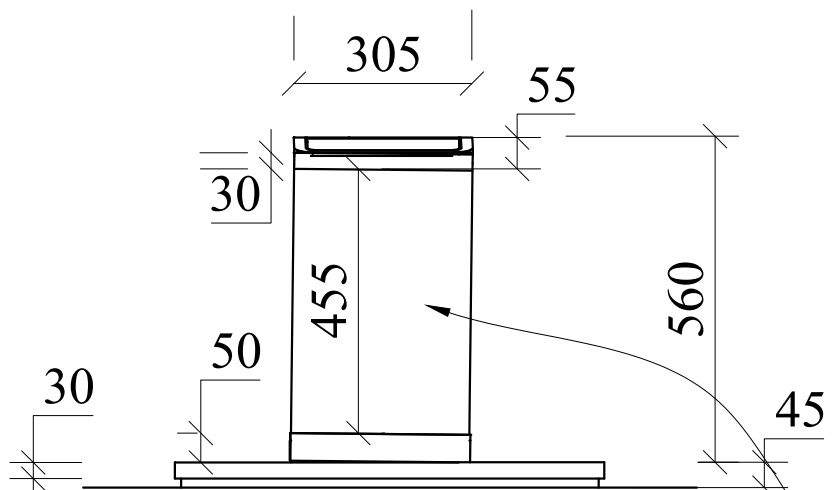
**SIDE ELEVATION**

**PLAN**

300mm dia platform

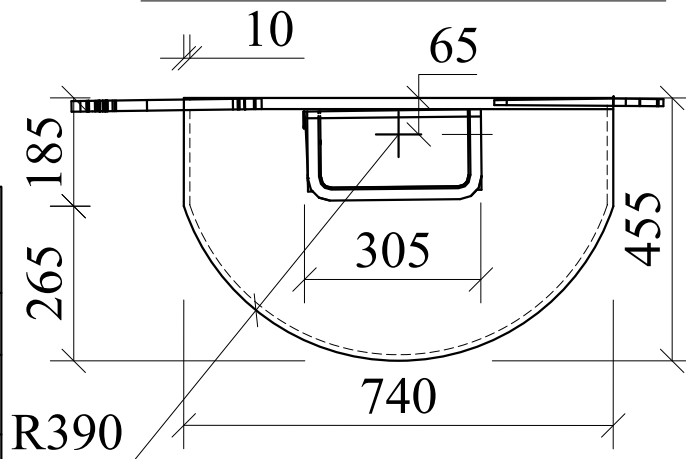


**SIDE ELEVATION**



**FRONT ELEVATION**

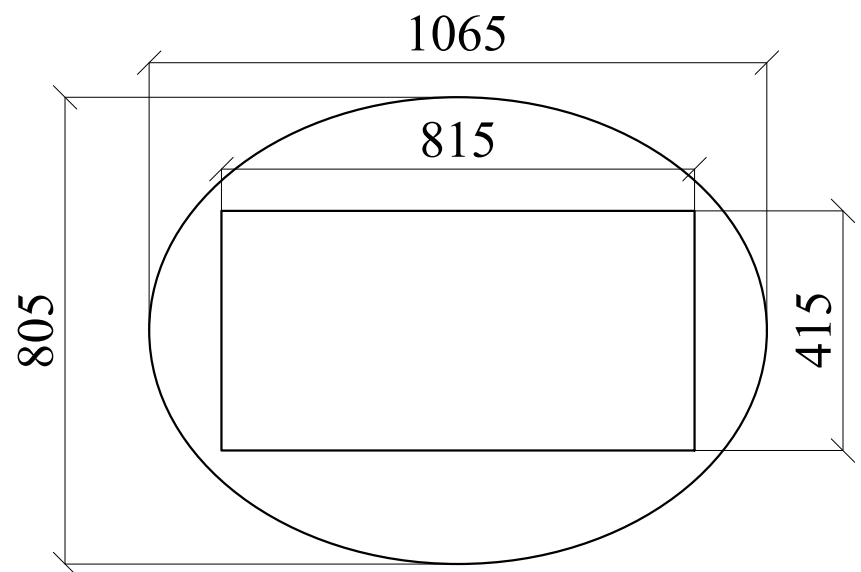
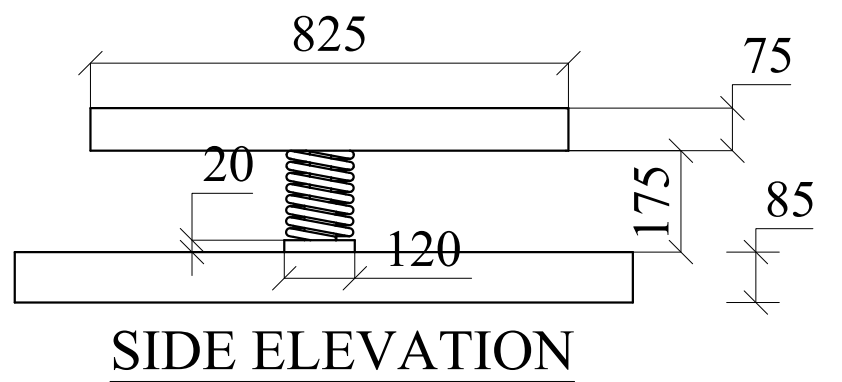
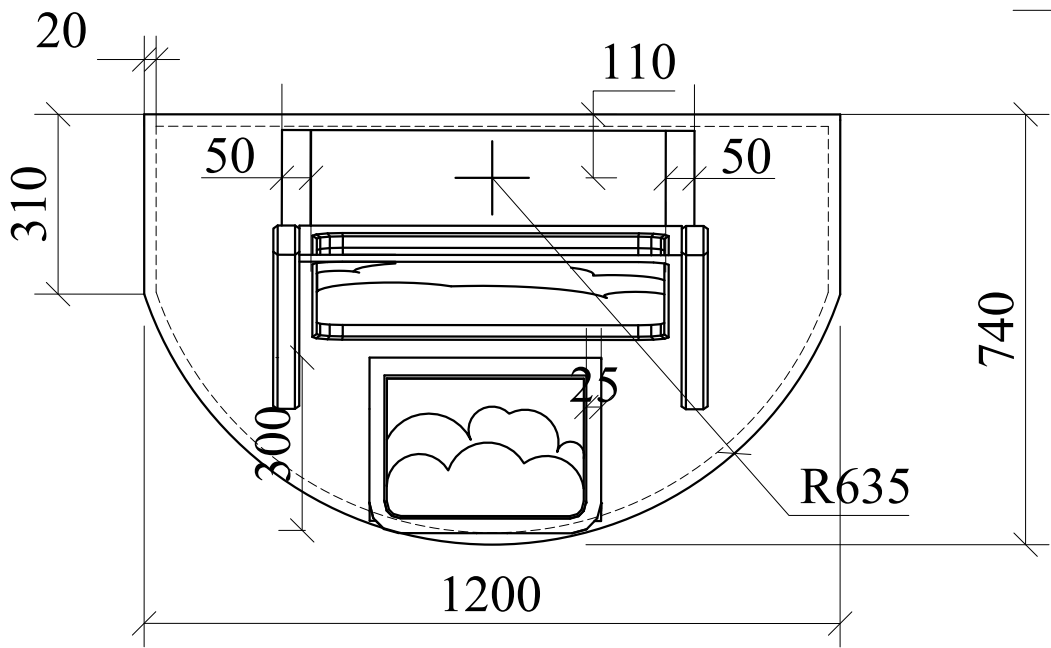
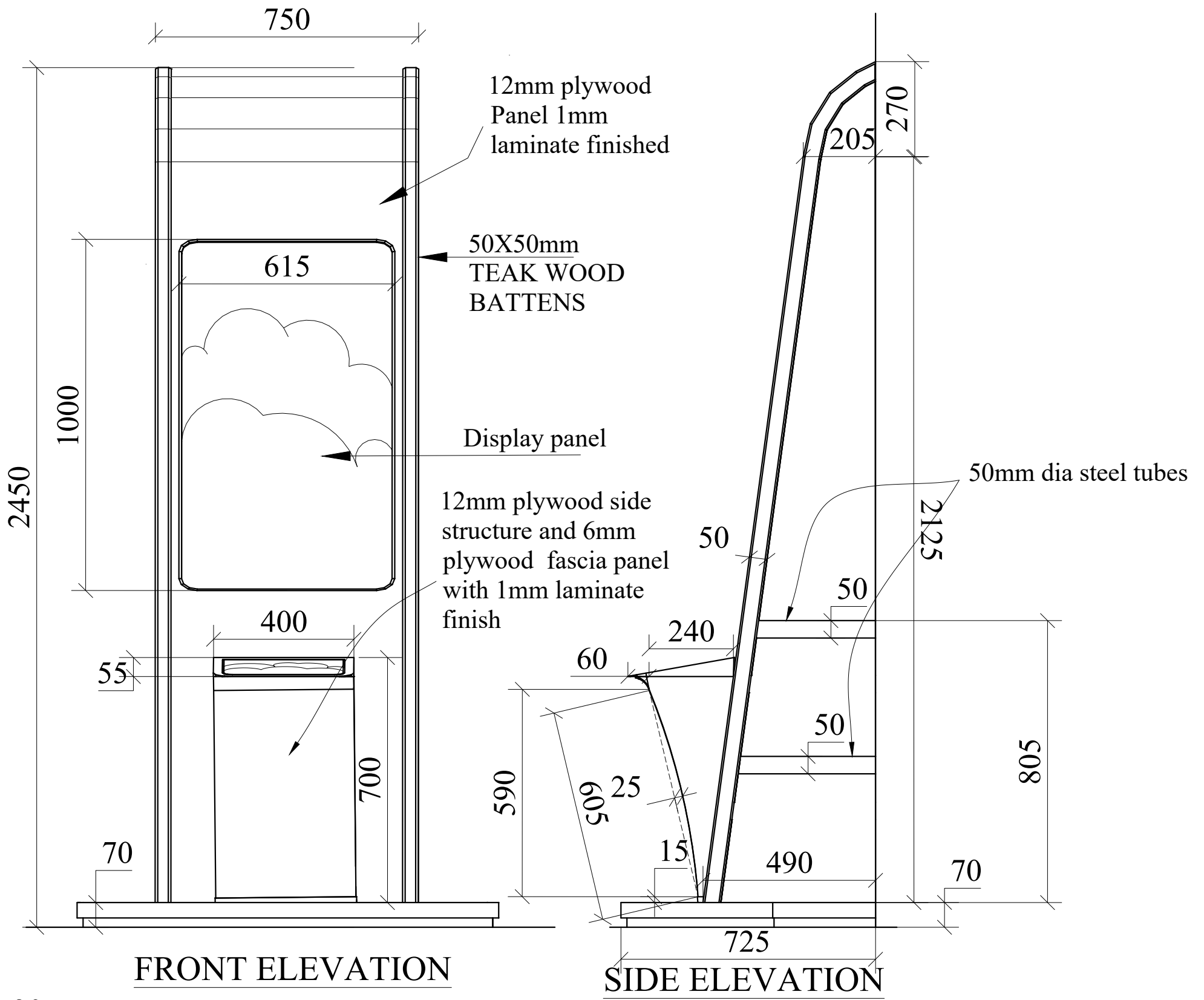
12mm plywood side structure and 6mm plywood fascia panel with 1mm laminate finish



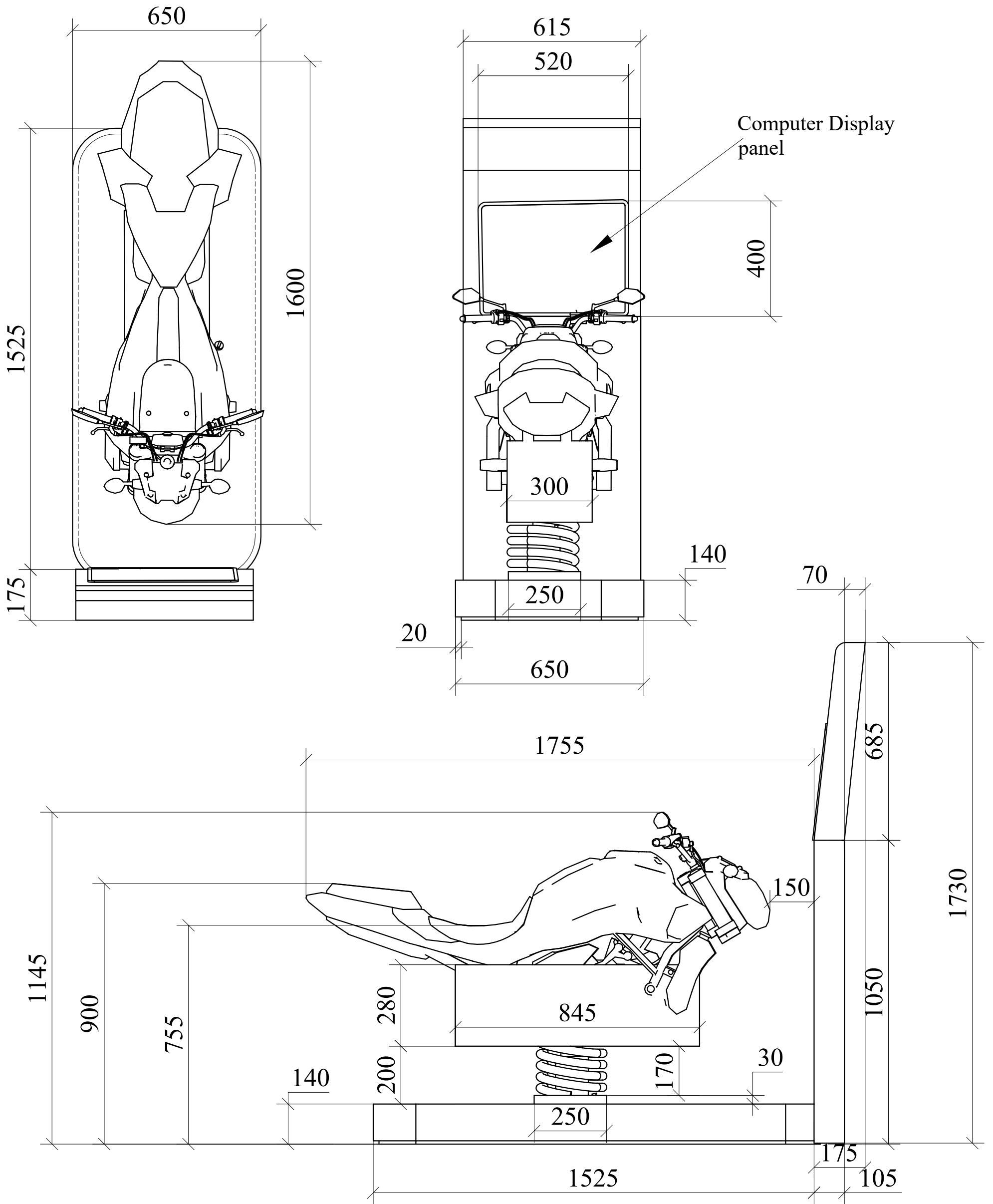
**PLAN**

REGIONAL SCIENCE CENTER, GUWAHATI, NEZ (A Unit of NCSM)			
PROJ. - Modernization of Sukanta Academy			
DRG. NO.-TR/2023/CH01/D12	DATE 28.08.23	TOLERANCE	
TITLE:- Details of Height Measure & Weight Measure Exhibit, Children Gallery		NO OFF. 10f1	
DRN. BY - Agency	CKD. BY - SKS	APPRD. BY - SM	





REGIONAL SCIENCE CENTER, GUWAHATI, NEZ (A Unit of NCSM)			
PROJ. - Modernization of Sukanta Academy			
DRG. NO.-TR/2023/CH01/D13	DATE 28.08.23	TOLERANCE	
TITLE:- Details of Animal Ride & Hit the target Exhibit, Children Gallery			NO OFF. 10f1
DRN. BY - Agency	CKD. BY - SKS	APPRD. BY - SM	



REGIONAL SCIENCE CENTER, GUWAHATI, NEZ  
(A Unit of NCSM)



PROJ. - Modernization of Sukanta Academy

DRG. NO.-TR/2023/CH01/D14

DATE  
28.08.23

TOLERANCE

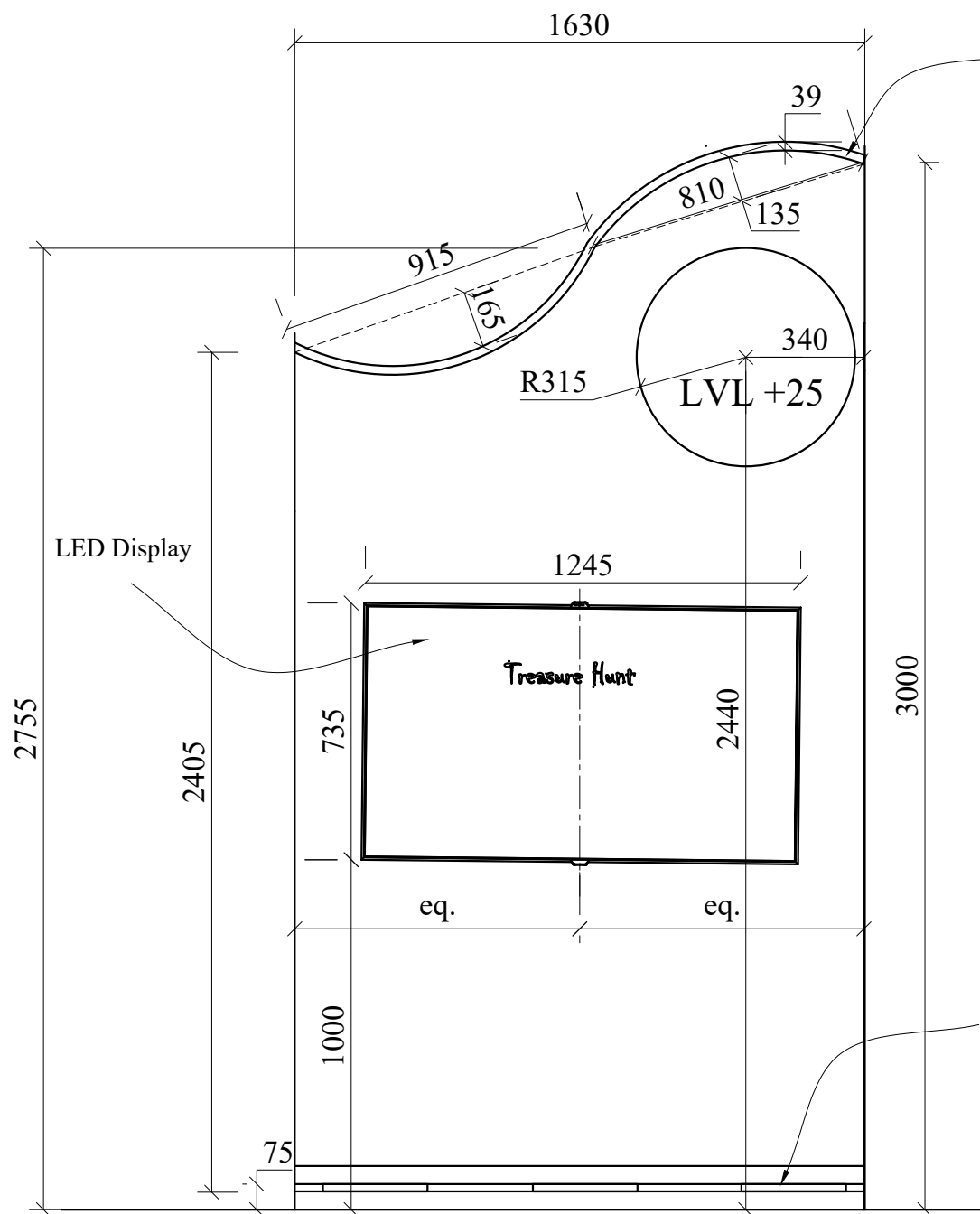
TITLE:- Details of Bike Race Exhibit,  
Children Gallery

NO OFF.  
10f1

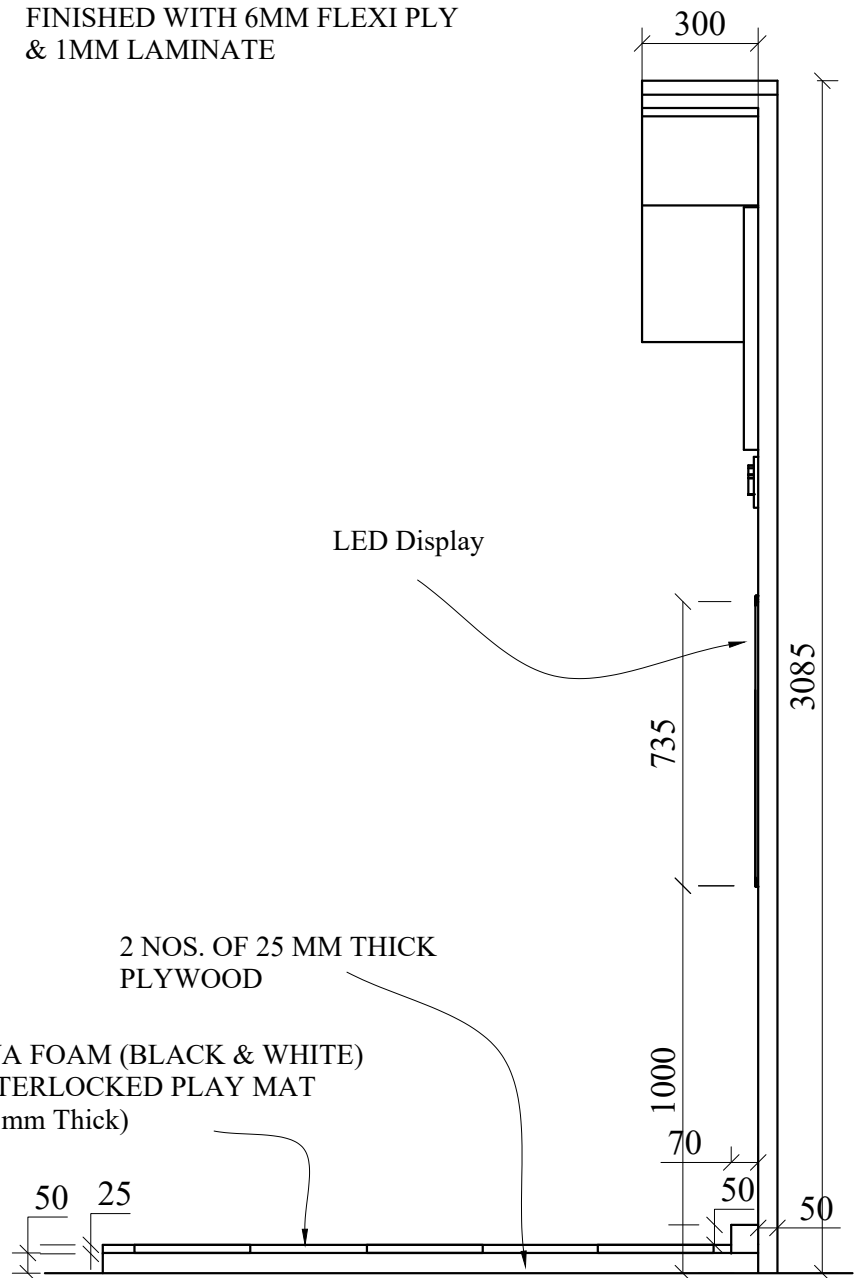
DRN. BY - Agency

CKD. BY - SKS

APPRD. BY - SM

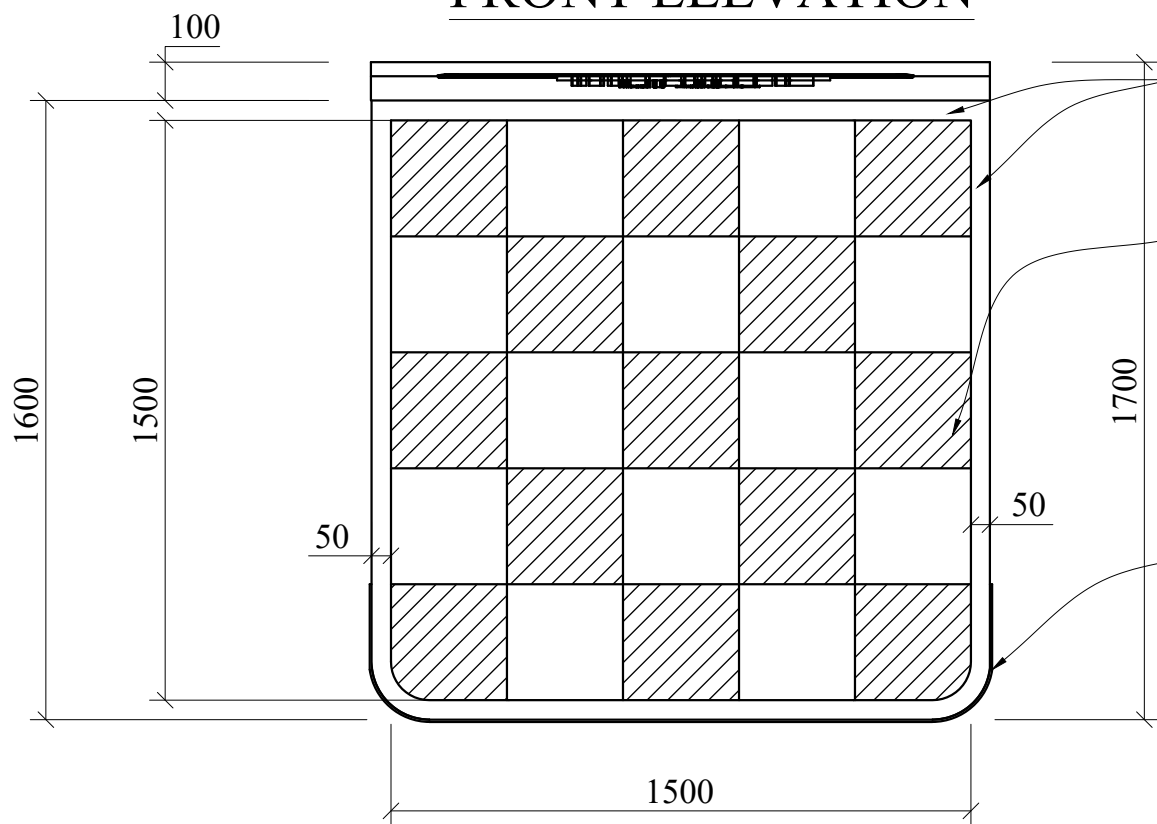


FRAME MADE OF 25 MM PLYWOOD CUT AS PER PROFILE FINISHED WITH 6MM FLEXI PLY & 1MM LAMINATE



**FRONT ELEVATION**

**SIDE ELEVATION**




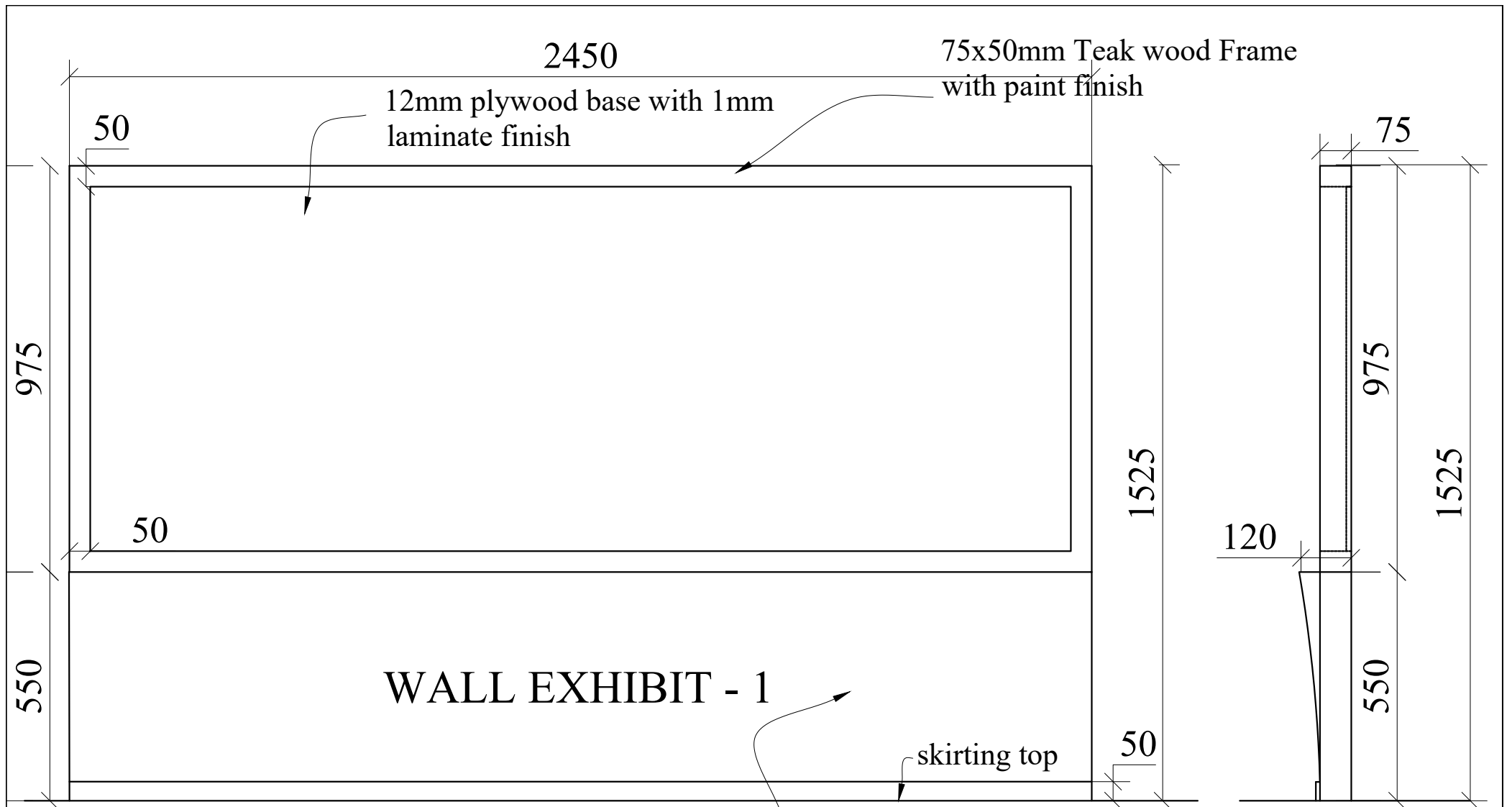
50 X 75 TEAKWOOD BORDER WITH PAINT FINISHED

EVA FOAM (BLACK & WHITE) INTERLOCKED PLAY MAT (25mm Thick)

6 X 75 MM FLEXI PLY WITH PAINT FINISHED

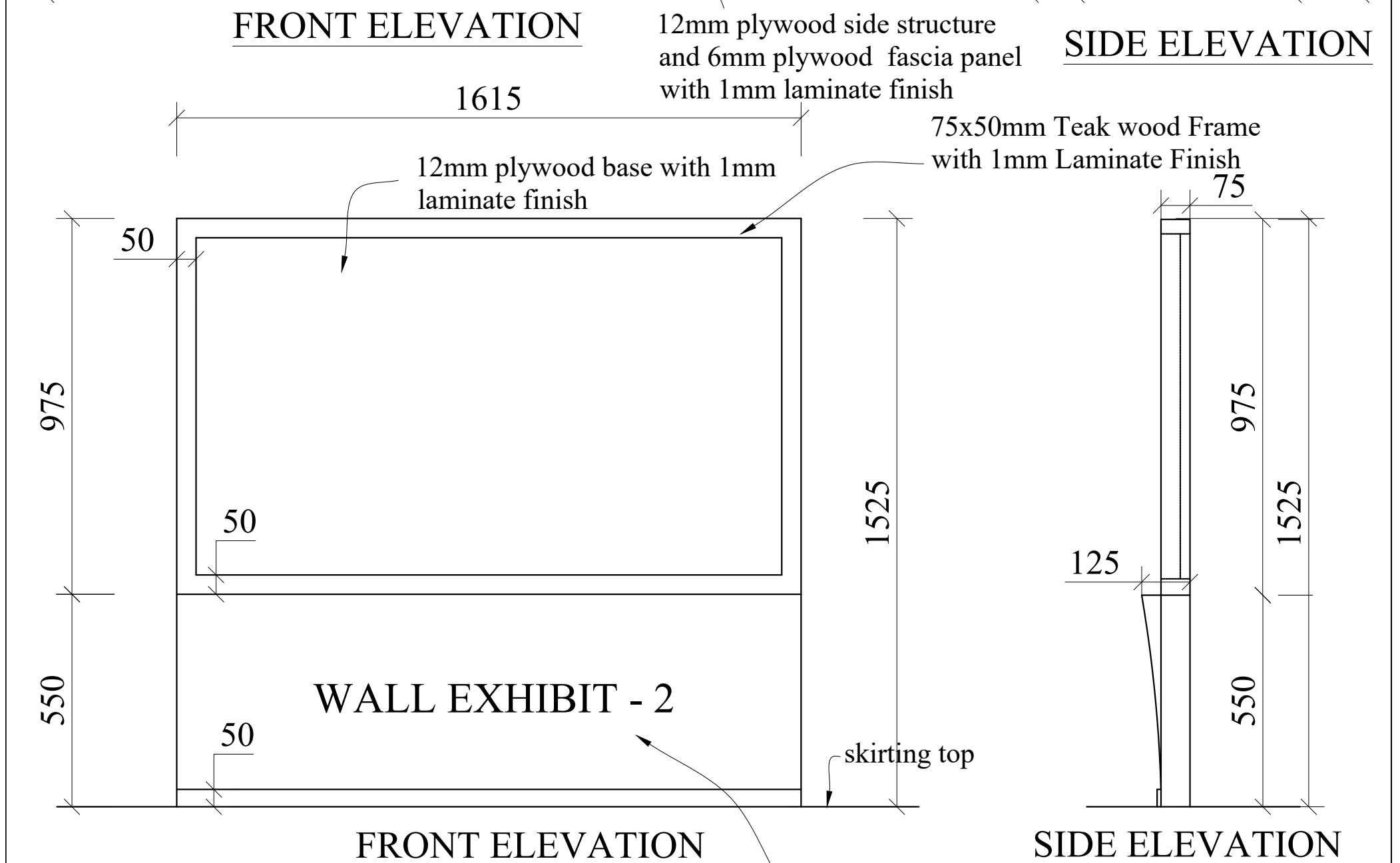
**PLAN**

REGIONAL SCIENCE CENTER, GUWAHATI, NEZ (A Unit of NCSM)			
PROJ. - Modernization of Sukanta Academy			
DRG. NO.-TR/2023/CH01/D15	DATE 28.08.23	TOLERANCE	
TITLE:- Details of Treasure Hunt Exhibit, Children Gallery		NO OFF. 10f1	
DRN. BY - Agency	CKD. BY - SKS	APPRD. BY - SM	




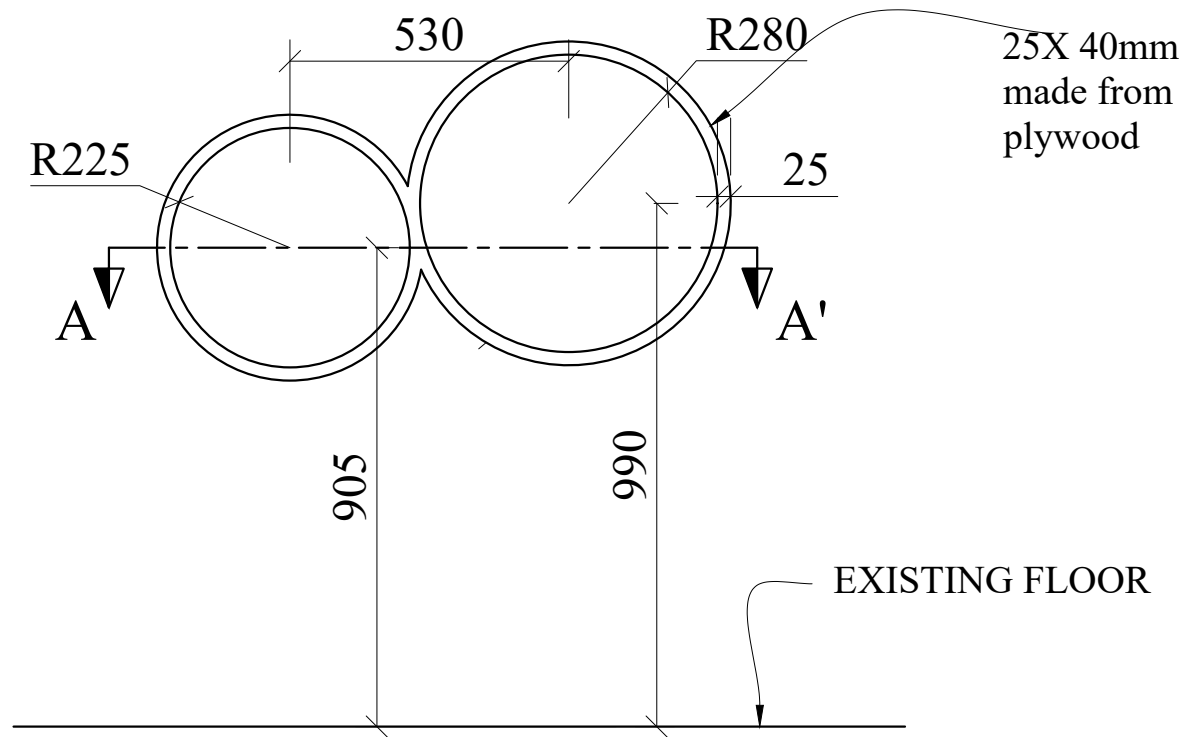
FRONT ELEVATION

SIDE ELEVATION

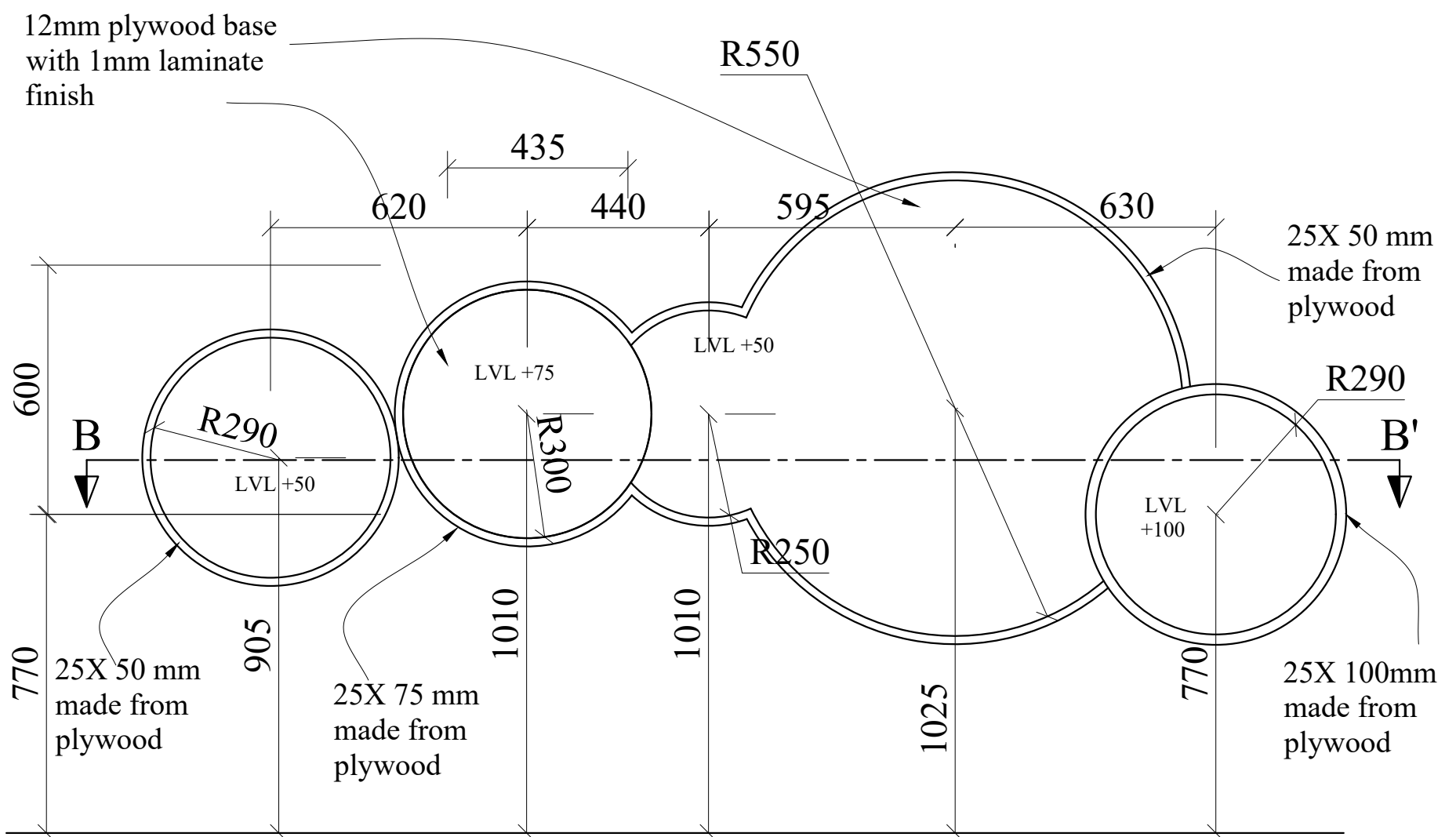


12mm plywood side structure and 6mm plywood fascia panel with 1mm laminate finish

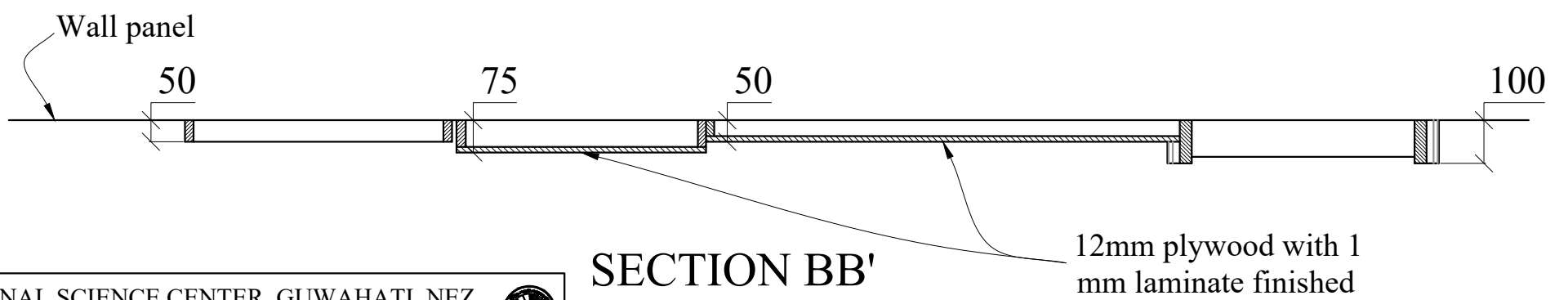
REGIONAL SCIENCE CENTER, GUWAHATI, NEZ (A Unit of NCSM)			
PROJ. - Modernization of Sukanta Academy			
DRG. NO.-TR/2023/CH01/D16	DATE 28.08.23	TOLERANCE	
TITLE:- Details of Wall Exhibit, Children Gallery			NO OFF. 10f1
DRN. BY - Agency	CKD. BY - SKS	APPRD. BY - SM	



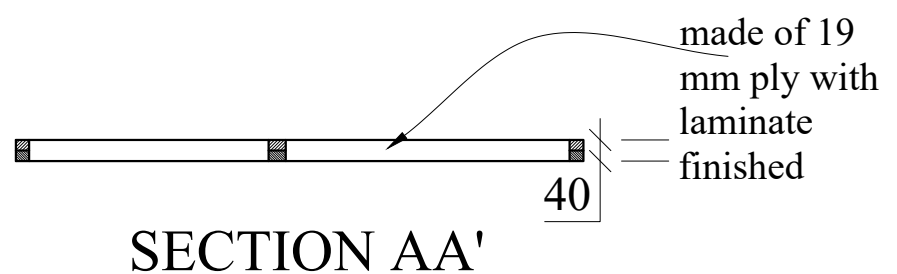
WALL EXHIBIT-4



WALL EXHIBIT-3

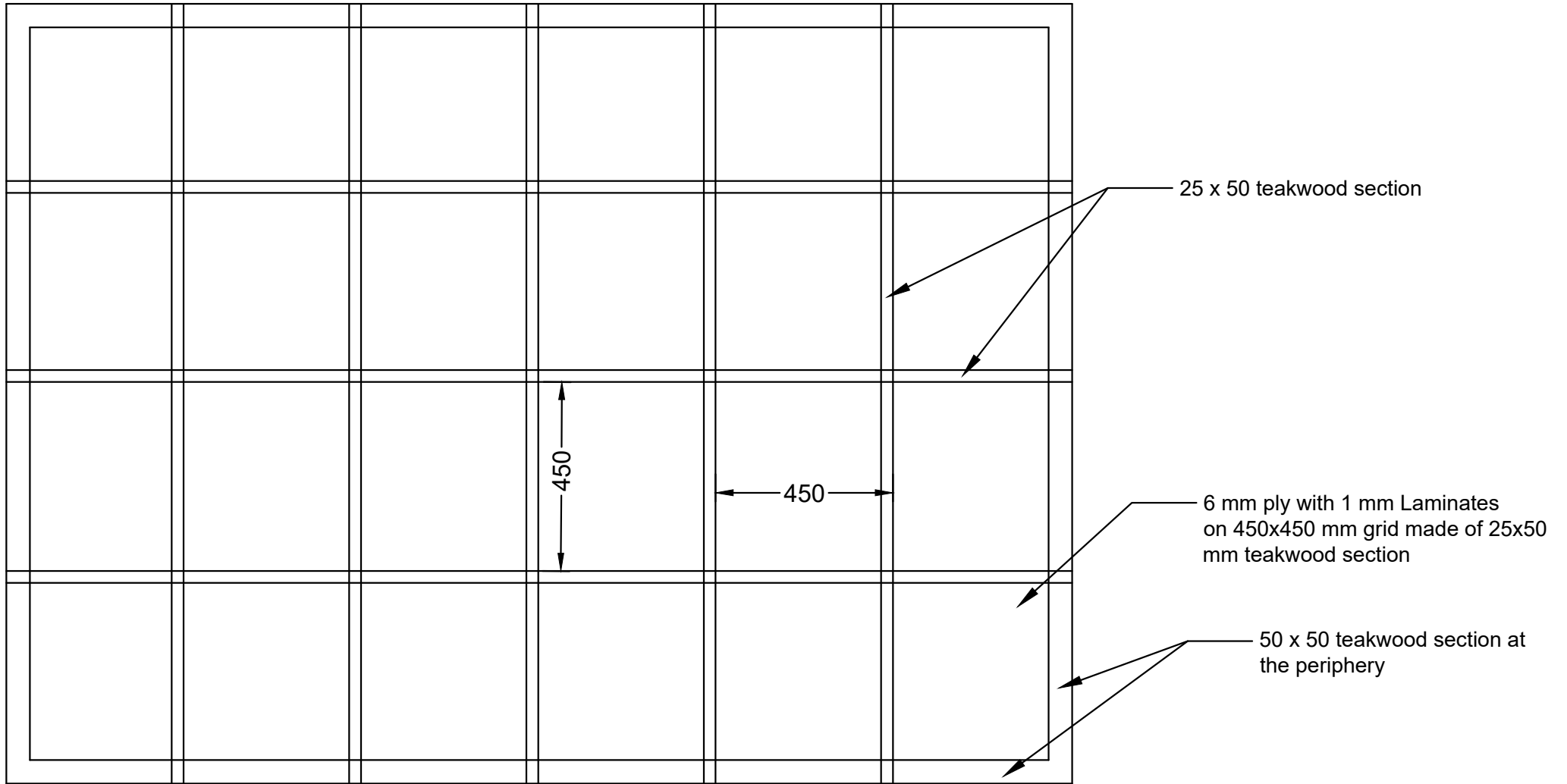


SECTION BB'



SECTION AA'

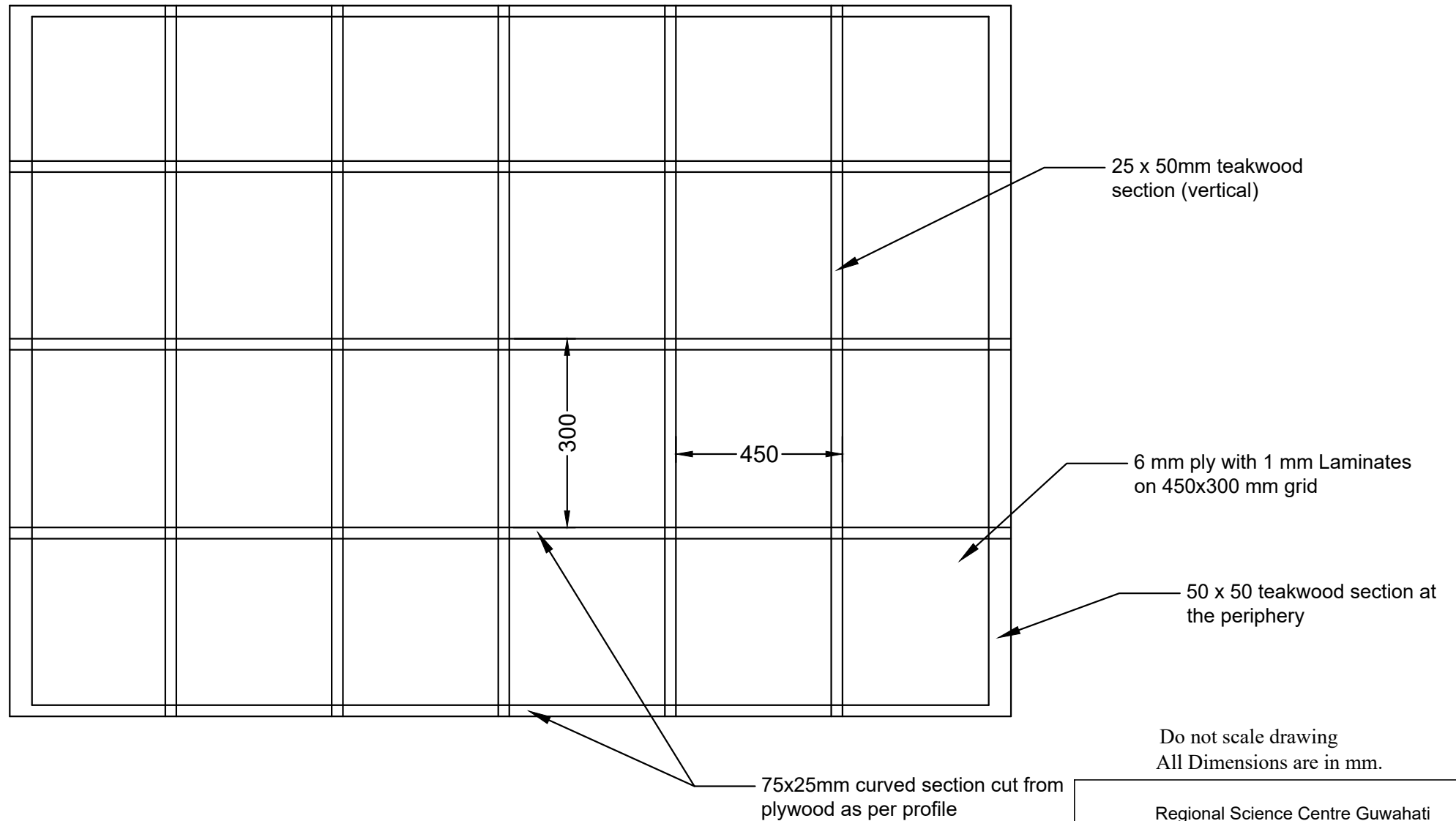
REGIONAL SCIENCE CENTER, GUWAHATI, NEZ (A Unit of NCSM)		
PROJ. - Modernization of Sukanta Academy		
DRG. NO.-TR/2023/CH01/17	DATE 28.08.23	TOLERANCE
TITLE: Details of Bike Race Exhibit, Children Gallery		NO OFF. 10f1
DRN. BY - Agency	CKD. BY - SKS	APPRD. BY - SM



Do not scale drawing  
All Dimensions are in mm.

## DETAILS OF STRAIGHT PANEL (TYP)

Regional Science Centre Guwahati	
Project: Children Gallery at Sukanta Academy, Tripura	
Drawing No. : TR/CH/SP Drawing : Details of Straight panel	
Drawn by/ Checked by Samant Singh	Approved by: Sujay Majumder



## DETAILS OF CURVED PANEL (TYP)

Regional Science Centre Guwahati	
Project: Children Gallery at Sukanta Academy, Tripura	
Drawing No. : TR/CH/CP Drawing : Details of Curved panel	
Drawn by/ Checked by Samant Singh	Approved by: Sujay Majumder